

AXLES & COMPONENTS

SUSPENSIONS & COMPONENTS

BRAKES & COMPONENTS

TIRES & WHEELS

FENDERS & BODY

JACKS & COUPLERS

BRAKE CONTROL SYSTEMS

TOWING & ACCESSORIES

MARINE COMPONENTS

HARDWARE & ACCESSORIES

AGRICULTURAL COMPONENTS

PAINT & LUBRICANTS

LIGHTS & ELECTRICAL

PACKAGED PRODUCTS

- PETERSON**
- INNOVATIVE LIGHTING inc.**
- Jammy Inc.**
- DRY LAUNCH**
- Bargman.**
- Wesbar.**
- VANGUARD MANUFACTURING INC.**
- EAST PENN manufacturing co., inc.**
- 3M Innovation**
- Reflexite**



- Stop, Turn & Tail M-2 thru M-6
- Backup Lights M-6
- Clearance Lights M-7 thru M-13
- License Plate, Int. & Work . . . M-14 thru M-16
- Reflectors & Conspicuity Tape M-17
- Accessories M-18 thru M-24
- Wiring & Wire Harnesses M-25 thru M-27
- Plugs & Adapters M-28 thru M-29



- Pollak®**
- TAYLOR**
- Hoppy®**
- PHOENIX**

LED STOP, TURN, & TAIL LIGHTS

4" ROUND LED

PETERSON

PART #	TYPE	DEPTH	DIODES	MOUNTING	
				GROMMET	PLUG
817R-2	A	1.75"	10	B426-18	B417-49
817KR-9	A	1.75"	10	B426-18	B417-49
817R-7	A	1.75"	7	B426-18	B417-49
M417R-5	A	.75"	8	B426-18	B417-49
818R-7	B	1.75"	7	n/a	B417-49
M826R-7	A	1.75"	7	n/a	B417-49

*Includes Grommet and Plug

INNOVATIVE LIGHTING inc.

PART #	TYPE	DEPTH	DIODES
240-4400	C	1.37"	1
241-4400	B	1.75"	1



Jammy Inc.

PART #	TYPE	DIODES	DESCRIPTION
J-44-R	A	7	Std. Plug
J-44-RK	A	7	w/Grommet & Harness
J-4412-R	A	12	Red Std. Plug
J-4412-RK	A	12	Red w/Grommet & Plug
J-4412-C	A	12	Clear, w/Grommet & Plug
J-4412-CK	A	12	Clear, w/Grommet & Plug

6" OVAL LED

PETERSON

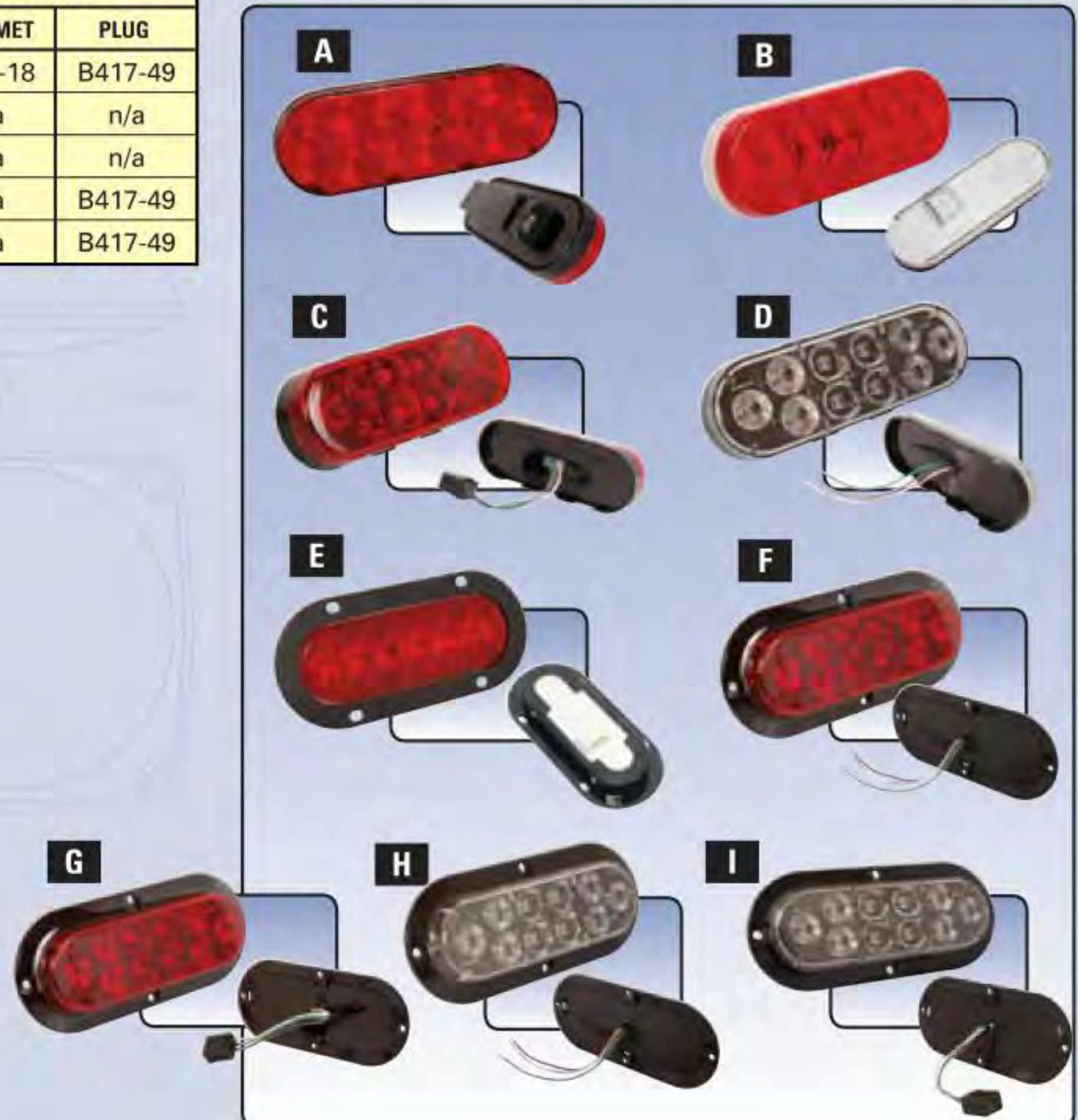
PART #	TYPE	DEPTH	DIODES	MOUNTING	
				GROMMET	PLUG
M820R-7	A	1.5"	7	B421-18	B417-49
M423R-4	B	1.5"	10	n/a	n/a
M821R-7	B	1.5"	7	n/a	n/a
823R-10	E	1.5"	10	n/a	B417-49
823R-7	E	1.5"	7	n/a	B417-49

Jammy Inc.

PART #	TYPE	DIODES
J-66-R	A	10
J-66-FR	F	10
J-67-FR	F	7
J-66-RC	D	10

INNOVATIVE LIGHTING inc.

PART #	TYPE	DEPTH	DIODES
260-4403	C	1"	10
260-4500	D	1"	10
260-4503	E	1"	10
92381	F	1"	10
261-4403	G	1"	10
261-4500	H	1"	10
261-4503	I	1"	10



SURFACE MOUNT LED

PETERSON

PART #	TYPE	LENGTH	WIDTH	DEPTH	DIODES
869R	A	14.25"	1.3"	.78"	8
M840	C	5.04"	4.72"	3.07"	11
M840L	C	5.04"	4.72"	3.07"	15

Jammy Inc.

PART #	TYPE	LENGTH	HEIGHT	DEPTH	DIODES
J-535-R	A	15.5"	1.625"	.75"	11
J-5254-RC	B	15.5"	1.625"	.75	11
J-20245	C	5.5"	4.5"	-	12
J-20245L	C	5.5"	4.5"	-	12
J-20445	D	6"	4.5"	-	16
J-20445-L	D	6"	4.5"	-	20

INNOVATIVE LIGHTING inc.

PART #	TYPE	LENGTH	DEPTH	DIODES
250-4400	A	15"	.75	11
250-4500	B	15"	.75	11
280-4400	C	5"	2"	1



SEALED STOP, TURN, & TAIL LIGHTS

4" ROUND & 6" OVAL

PETERSON

PART #	TYPE	DESCRIPTION	DEPTH	MOUNTING	
				GROMMET	PLUG
426R	A	Round	2.06"	B426-18	B431-491
421R	B	Oval	2.37"	B421-18	B431-491
421HR	C	Oval Surface Mount	1.81"	n/a	B431-491

Jammy Inc.

PART #	TYPE	DESCRIPTION
J-40-R	A	Round
J-42-R	A	Round w/REFLEX
J-60-R	B	Oval
J-61-R	D	Oval w/Black Base



FRACTION TO DECIMAL CONVERSION CHART

FRACTION	1/16	1/8	3/16	1/4	5/16	3/8	7/16	1/2	9/16	5/8	11/16	3/4	13/16	7/8	15/16
DECIMAL	.0625	.1250	.1875	.2500	.3125	.3750	.4375	.5000	.5625	.6250	.6875	.7500	.8125	.8750	.9375

- AXLES & COMPONENTS
- SUSPENSIONS & COMPONENTS
- BRAKES & COMPONENTS
- TIRES & WHEELS
- FENDERS & BODY
- JACKS & COUPLERS
- BRAKE CONTROL SYSTEMS
- TOWING & ACCESSORIES
- MARINE COMPONENTS
- HARDWARE & ACCESSORIES
- AGRICULTURAL COMPONENTS
- PAIN & LUBRICANTS
- LIGHTS & ELECTRICAL
- PACKAGED PRODUCTS

SUBMERSIBLE STOP, TURN, & TAIL LIGHTS

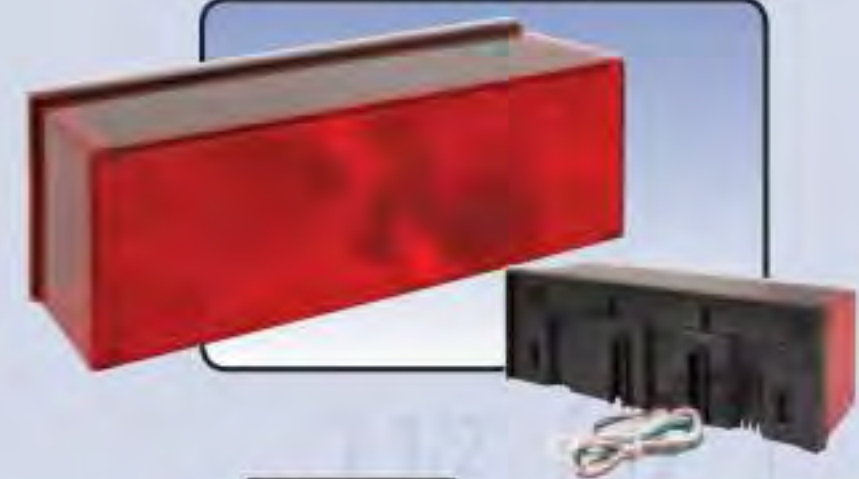
PETERSON

PART #		WIDTH	HEIGHT	DEPTH
LEFT	RIGHT			
M452L	M452	5.75"	4.50"	2.87"
M456L	M456	8.00"	2.81"	3.75"

M452L



M456L



Jammy Inc.

PART #		WIDTH	HEIGHT	DEPTH
LEFT	RIGHT			
J-70-L	J-70	6.125"	3.625"	2.25"
J-71-L*	J-71*	6.25"	3.750"	1.78"
J-75-L*	J-75*	8"	2.75"	2.25"

J-70-L



J-71-L



*LED 13 Diode

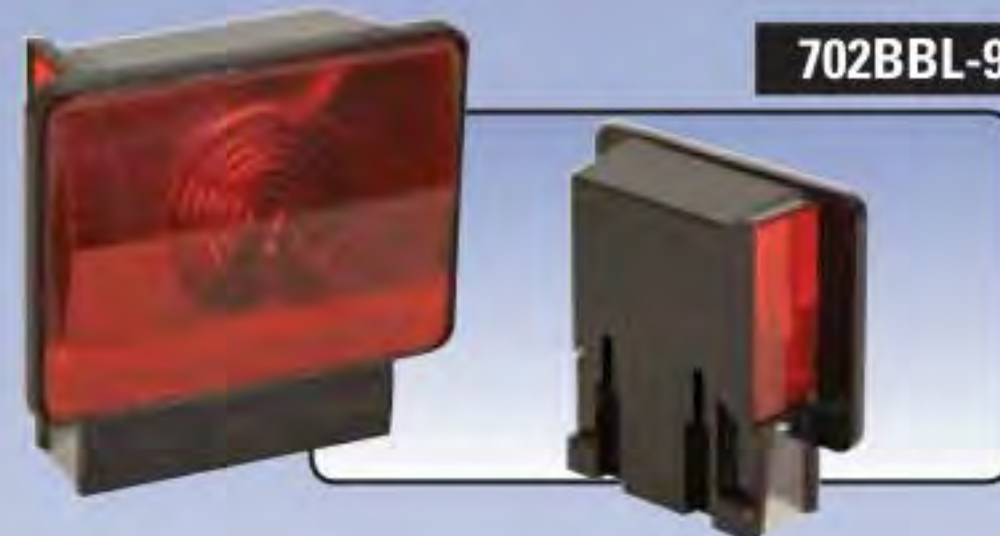
DRY LAUNCH

PART #		WIDTH	HEIGHT	DEPTH
LEFT	RIGHT			
701WBL-99X1	701WBR-99X1	5.5"	6.25"	2.25"
702BBL-99X1	702BBR-99X1	5.75"	5.75"	2.5"
SP7RBW-9LX1	SP7RBW-9RX1	6"	3.5"	2"
SP8RBW-9LX1	SP8RBW-9RX1	6"	3.5"	2"

701BBL-99X1



702BBL-99X1



Wesbar

PART #		WIDTH	HEIGHT	DEPTH
LEFT	RIGHT			
3504	3554	8.03"	2.94"	2.83"

3554



SP7RBW-9LX1



SP8RBW-9LX1



AXLES & COMPONENTS

SUSPENSIONS & COMPONENTS

BRAKES & COMPONENTS

TIRES & WHEELS

FENDERS & BODY

JACKS & COUPLERS

BRAKE CONTROL SYSTEMS

TOWING & ACCESSORIES

MARINE COMPONENTS

HARDWARE & ACCESSORIES

AGRICULTURAL COMPONENTS

PAINT & LUBRICANTS

LIGHTS & ELECTRICAL

PACKAGED PRODUCTS

SURFACE MOUNT STOP, TURN, & TAIL LIGHTS

PETERSON

PART #	TYPE	STYLE	REPLACEMENT LENS
440	A	Square Light, Red	440-15 Face, 55-15R Side
440L	A	Square Light, Red, w/License Light	440-15 Face, 55-15R Side
442	B	OEM Universal Replacement Light w/Junction Box	445-25
442L	B	OEM Universal Replacement Light w/Junction Box w/License Light	445-25
444	C	Square Light, Red, w/Combo Clearance Light	440-15 Face, 56-15R Side
444L	C	Square Light, Red, w/Combo Clearance Light, w/License Light	440-15 Face, 56-15R Side
413	D	Round Light, Flush Mount, Red	410-15R
425S	E	Round Light, Flush Mount, Red, Stainless Steel Housing	410-15R
428S	F	Round Light, Red, Stud Mount	420-15
428W	F	Round Light, Red, Stud Mount, w/ License Illuminator	420-15
313-2	G	Round Light, Pedestal Mount, Red	410-15R
M457	H	Rectangular Light, Red, Right	B457-15
M457L	H	Rectangular Light, Red, Left	B457L-15



TRAILER LIGHT KITS

PART #	DESCRIPTION
M540	Light Kit For Trailers Under 80" w/20' Harness
M545	Light Kit For Trailers Under 80" w/25' Harness
V544	Light Kit For Trailers Over 80" w/20' Harness, Submersible

M540 and M545 kits include: (2) stop/tail lights, (2) side marker lights, (1) wire harness, (1) 48" trunk connector, (1) license bracket, and all mounting hardware and installation instructions. **M544 kit includes:** (2) submersible stop/tail lights, (1) harness, (1) 48" trunk connector, (1) license bracket, and all mounting hardware and installation instructions.

FRACTION TO DECIMAL CONVERSION CHART

FRACTION	1/16	1/8	3/16	1/4	5/16	3/8	7/16	1/2	9/16	5/8	11/16	3/4	13/16	7/8	15/16
DECIMAL	.0625	.1250	.1875	.2500	.3125	.3750	.4375	.5000	.5625	.6250	.6875	.7500	.8125	.8750	.9375

AXLES & COMPONENTS

SUSPENSIONS & COMPONENTS

BRAKES & COMPONENTS

TIRES & WHEELS

FENDERS & BODY

JACKS & COUPLERS

BRAKE CONTROL SYSTEMS

TOWING & ACCESSORIES

MARINE COMPONENTS

HARDWARE & ACCESSORIES

AGRICULTURAL COMPONENTS

PAINT & LUBRICANTS

LIGHTS & ELECTRICAL

PACKAGED PRODUCTS

Jammy Inc.

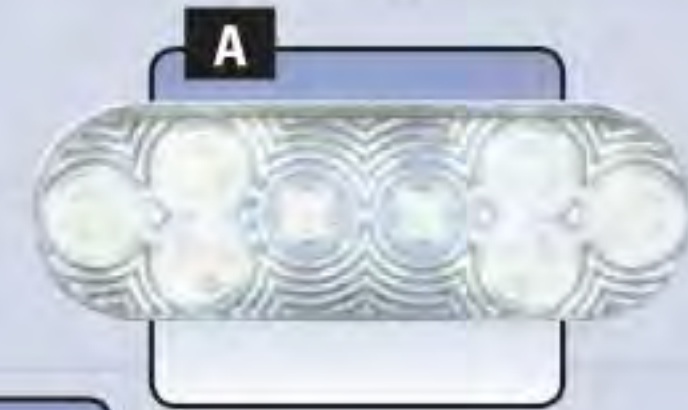
PART #	TYPE	STYLE
J-2024	A	Square Light, Red
J-2024-L	A	Square Light, Red, w/License Light
J-2034	B	Square Light, Red, w/Combo Clearance Light
J-2034-L	B	Square Light, Red, w/Combo Clearance Light, w/License Light
J-750-R	C	Round Light, Flush Mount, Red
J-2077	D	Slim 18 diodes Combo lamp, street side
J-2077-L	D	Slim 20 Diodes, Combo lamp w/license illuminator, street curb side



CLEAR BACKUP LIGHTS LED

PETERSON

PART #	TYPE	STYLE	LENGTH	WIDTH	DEPTH	PLUG
820C-7	A	Oval Grommet Mount	6.5"	2.25"	.875"	B417-481
817C-7	B	Round Grommet Mount	n/a	4"	1.35"	B417-481



Jammy Inc.

PART #	TYPE	STYLE	DIODES
J-66-C	A	Oval Grommet Mount	10
J-45-12-C	B	Round Grommet Mount	12



CLEAR BACKUP LIGHTS

PETERSON

PART #	TYPE	STYLE	LENGTH	WIDTH	DEPTH
416K	A	Oval Grommet Mount, w/Grommet And Plug	6.5"	2.25"	2.375"
415K	B	Round Grommet Mount, w/Grommet And Plug	n/a	4.25"	2.0625"
411C	C	Round Flush Mount, Black Steel Housing	n/a	4.5"	2.25"
392C	D	Round Surface Mount, Chrome Steel Housing	n/a	3.125"	1.875"
M393-C	E	Rectangular Surface Mount	4.5625"	2.5"	1.75"



Jammy Inc.

PART #	TYPE	STYLE
J-60-CK	A	Oval Grommet Mount, w/Grommet And Plug
J-40-CK	B	Round Grommet Mount, w/Grommet And Plug



FRACTION	DECIMAL	FRACTION	DECIMAL
1/16	.0625	9/16	.5625
1/8	.1250	5/8	.6250
3/16	.1875	11/16	.6875
1/4	.2500	3/4	.7500
5/16	.3125	13/16	.8125
3/8	.3750	7/8	.8750
7/16	.4375	15/16	.9375
1/2	.5000		

LED CLEARANCE LIGHTS

ROUND

PETERSON

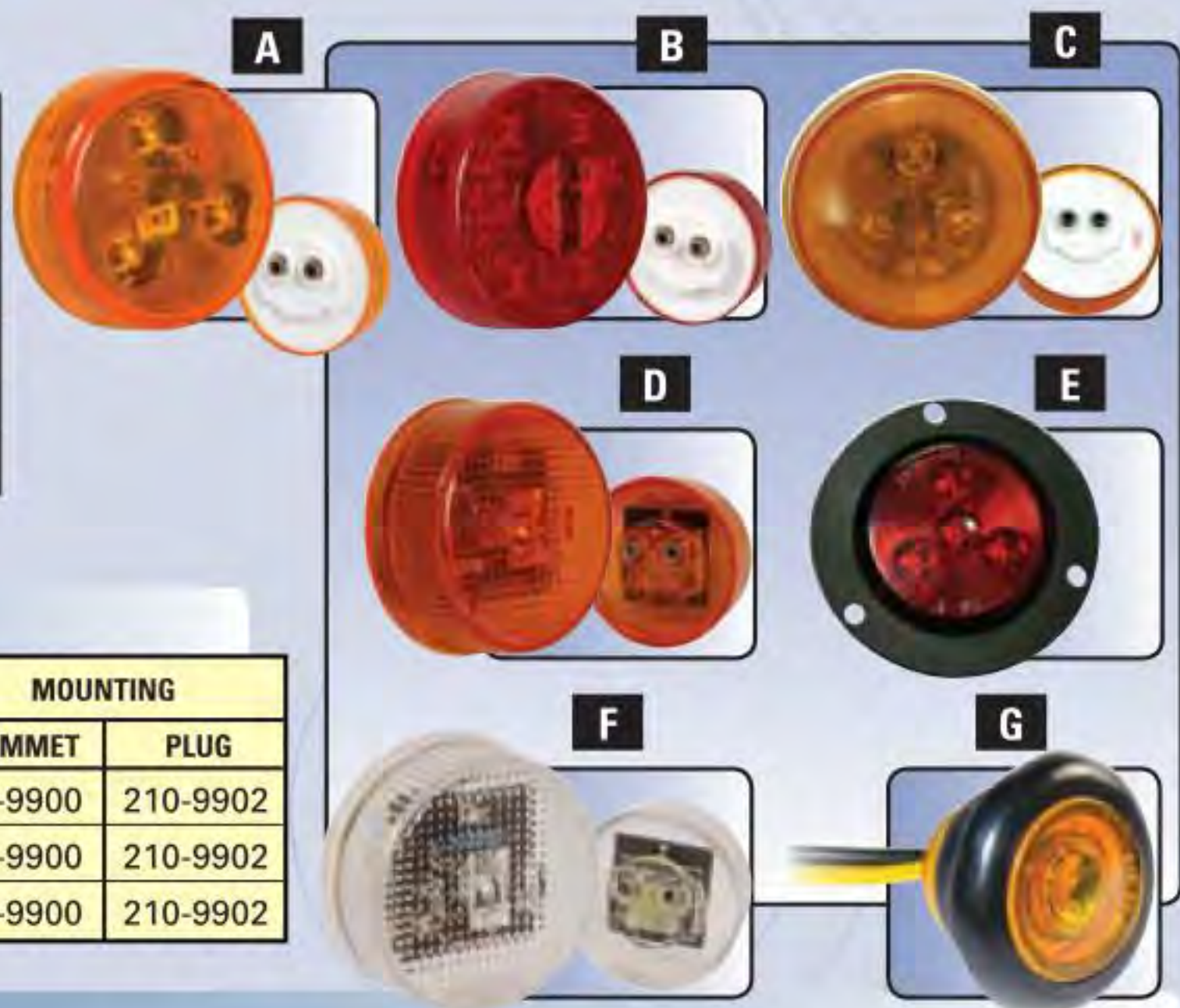
PART #		TYPE	DIAMETER	DEPTH	MULTI-LED	MOUNTING		
AMBER	RED					KITS	GROMMET	PLUG
164A	164R	A	2.00"	.750"	✓	166-18K	B146-18	B162-49
162A	162R	A	2.50"	.750"	✓	162-18K or 163-18K	B142-18 or B143-18	B162-49
165A	165R	B	2.00"	.750"	n/a	166-18K	B146-18	B162-49
163A	163R	B	2.50"	.812"	n/a	162-18K or 163-18K	B142-18 or B143-18	B162-49
174A	174R	C	2.00"	.750"	✓	n/a	B146-18	B162-49

Jammy Inc.

PART #		TYPE	DIAMETER	DIODES
AMBER	RED			
J-15-A	J-15-R	C	2"	4
J-15-FFA	J-15-FFR	E	2" Flange Mount	4
J-25-A	J-25-R	C	2.5"	4
J-25-FFA	J-25-FFR	E	2.5" Flange Mount	4
J-53-A	J-53-R	G	.75" Grom Mount	4

INNOVATIVE LIGHTING inc.

PART #		TYPE	DIAMETER	DIODES	MOUNTING	
AMBER	RED				GROMMET	PLUG
210-1101-1	210-4401-1	D	2.00"	4	210-9900	210-9902
61517-1	211-4400-1	D	2.50"	1	211-9900	210-9902
210-1501-1		F	2.00"	4	210-9900	210-9902



OVAL

PETERSON

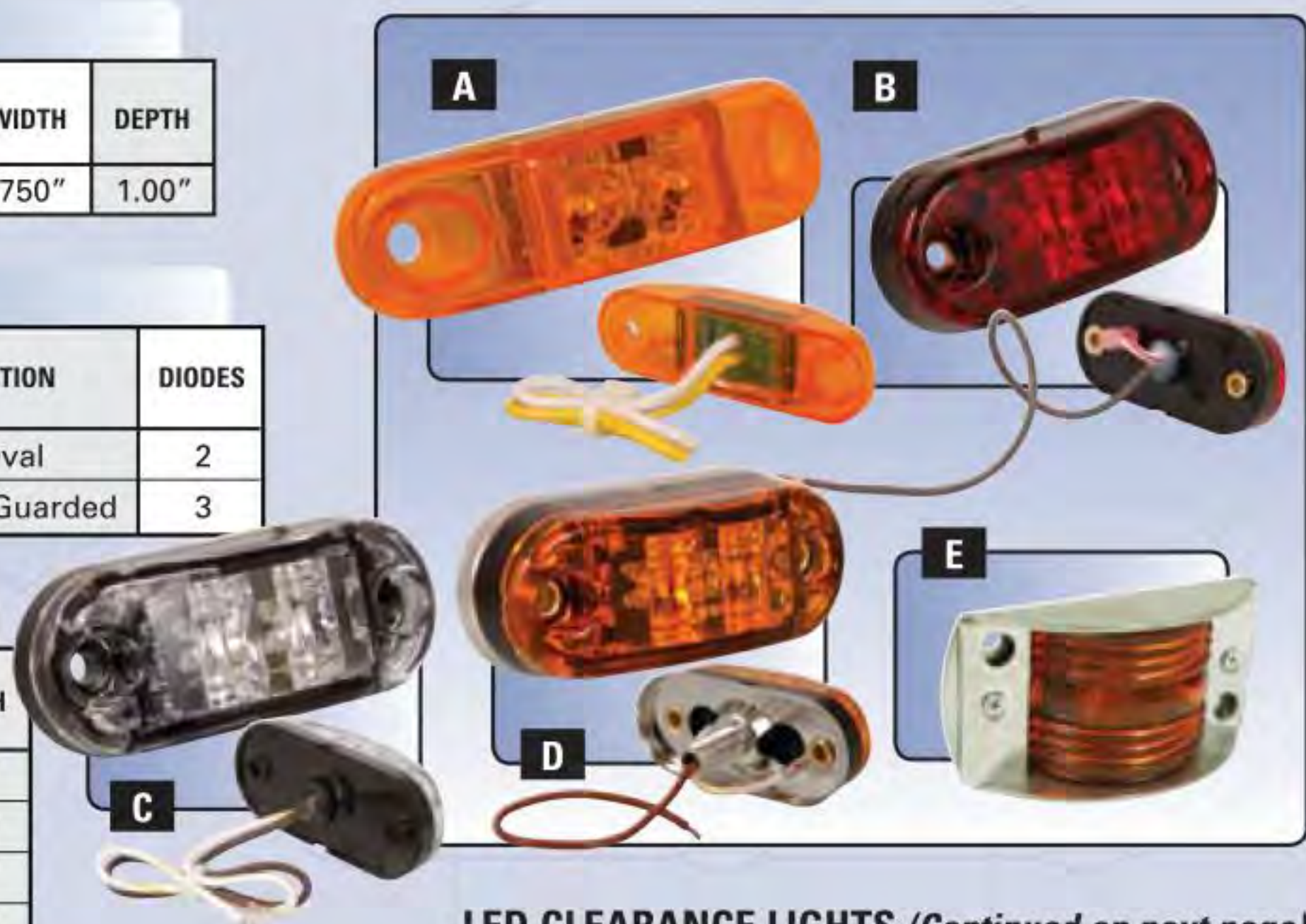
PART #		TYPE	LENGTH	WIDTH	DEPTH
AMBER	RED				
168A	168R	A	2.75"	.750"	1.00"

Jammy Inc.

PART #		TYPE	DESCRIPTION	DIODES
AMBER	RED			
J-515-A	J-515-R	B	2.5" Oval	2
J-5505-A	J-5505-R	E	4.5" Steel Guarded	3

INNOVATIVE LIGHTING inc.

PART #		TYPE	LENGTH
AMBER	RED		
200-1100-1	200-4400-1	B	2.5"
200-1103-1	200-4403-1	B	2.5"
200-1500-1	200-4500-1	C	2.5"
201-1100-1	201-4400-1	D	2.5"



LED CLEARANCE LIGHTS (Continued on next page)

LED CLEARANCE LIGHTS (Continued)

RECTANGULAR

PETERSON

PART #		TYPE	LENGTH	WIDTH	DEPTH	MOUNTING		
AMBER	RED					BRACKET	GROMMET	PLUG
M153A	M153R	A	2.50"	1.25"	.875"	150-095 or 153-09	B150-18	B153-49
M169A	M169R	B	4.5"	.875"	1.00"	n/a	n/a	B160-491
M160A	M160R	B	4.50"	.875"	1.00"	n/a	n/a	B160-491
M161A	M161R	C	3.81"	1.25"	.875"	154-09K, 10K or 11K	n/a	n/a
M191A	M191R	D	2.125"	1.25"	1.00"	n/a	n/a	n/a

Jammy Inc.

PART #		TYPE	DESCRIPTION	DIODES
AMBER	RED			
J-5735-A	J-5735-R	A	2.5" X 1.25"	2
J-5735-SA	J-5735-SR	D	2.5" X 1.25" Stud Mount	2
J-5765-A	J-5765-R	C	3.75" X 1.25"	3
J-5765A/R		E	Amber/Red Combo	4
J-5765-A/R-FM		F	Amber/Red Combo w/ Fender Mount	4
J-55-A	J-55-R	G	.75" w/Grommet	1



SEALED CLEARANCE LIGHTS

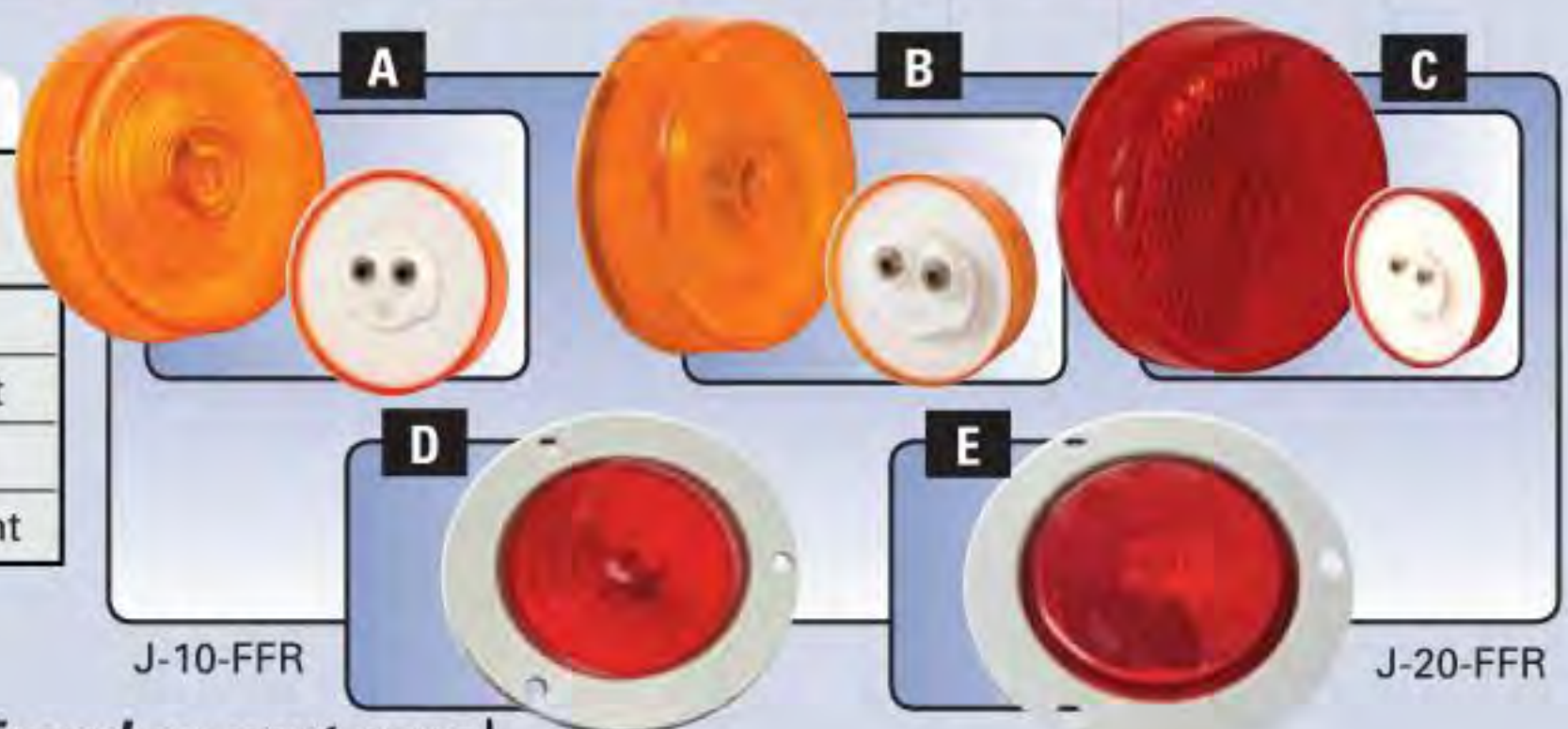
ROUND

PETERSON

PART #		TYPE	DIAMETER	DEPTH	MOUNTING		
AMBER	RED				KITS	GROMMET	PLUG
M146A	M146R	A	2.00"	.750"	146-18K	B146-18	142-49
M142A	M142R	B	2.50"	.750"	142-18K or 143-18K	B142-18 or B143-18	142-49
M143A	M143R	C	2.50"	.750"	142-18K or 143-18K	B142-18 or B143-18	142-49

Jammy Inc.

PART #		TYPE	DESCRIPTION
AMBER	RED		
J-10-A	J-10-R	A	2"
J-10-FFA	J-10-FFR	D	2" Flange Mount
J-20-A	J-20-R	C	2.5"
J-20-FFA	J-20-FFR	E	2.5" Flange Mount



SEALED CLEARANCE LIGHTS (Continued on next page)

SEALED CLEARANCE LIGHTS (Continued)

RECTANGULAR

PETERSON

PART #		TYPE	LENGTH	WIDTH	DEPTH	MOUNTING		
AMBER	RED					BRACKET	GROMMET	PLUG
M147A	M147R	A	3.06"	2.25"	1.25"	n/a	n/a	n/a
M150A	M150R	B	2.50"	1.25"	.750"	150-09,-10 or -13	B150-18	B150-49
M154A	M154R	C	3.81"	1.25"	.875"	154-09K, -10K or -11K	n/a	n/a
M154A-R		D	3.81"	1.25"	.875"	154-09K, -10K or -11K	n/a	n/a

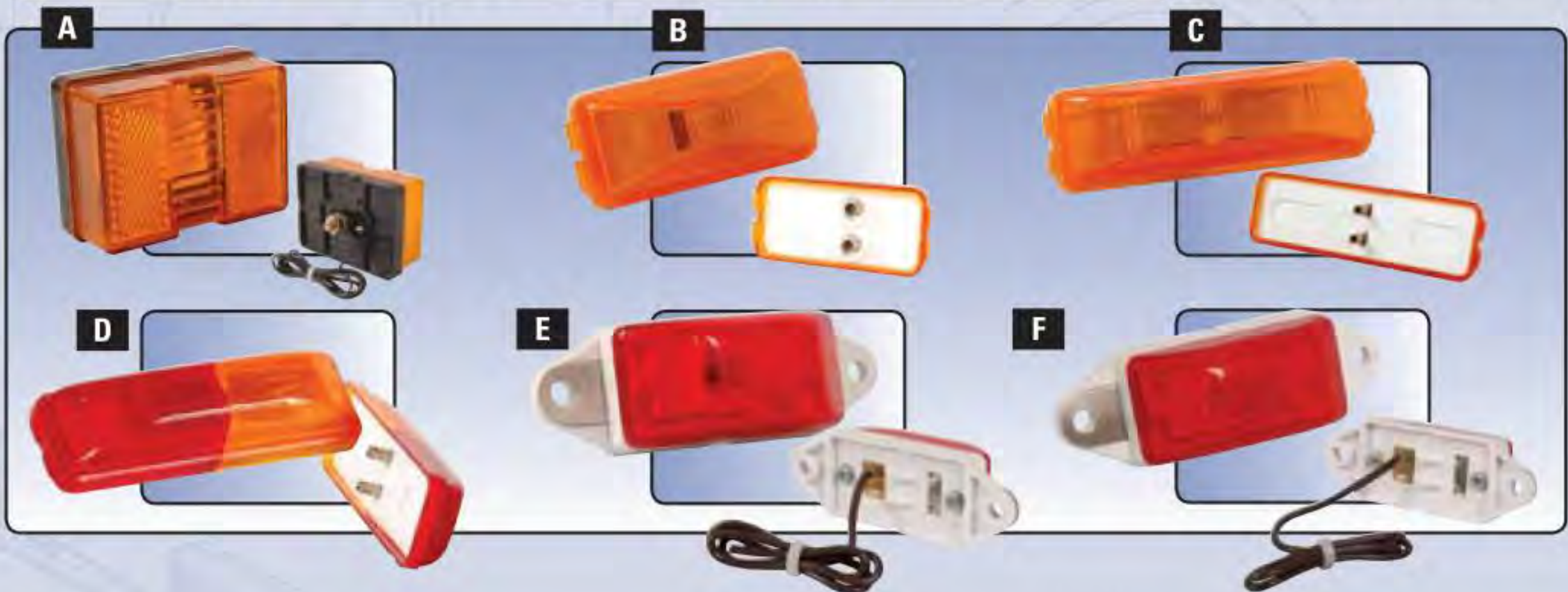
Jammy Inc.

PART #		TYPE	LENGTH	WIDTH	DEPTH
AMBER	RED				
J-573-A	J-573-R	B	2.50"	1.25"	.875"
J-576-A/R		D	3.75"	1.25"	.875"

Wesbar

PART #		TYPE	LENGTH	WIDTH	DEPTH	MOUNTING		
AMBER	RED					BRACKET	GROMMET	PLUG
003230	003231	E	2.12"	1.12"	1.06"	n/a	n/a	n/a
003272	003273	F	3.31"	1.31"	1.00"	n/a	n/a	n/a

FRACTION	DECIMAL	FRACTION	DECIMAL
1/16	.0625	9/16	.5625
1/8	.1250	5/8	.6250
3/16	.1875	11/16	.6875
1/4	.2500	3/4	.7500
5/16	.3125	13/16	.8125
3/8	.3750	7/8	.8750
7/16	.4375	15/16	.9375
1/2	.5000		



WEDGE

PETERSON

PART #		LENGTH	WIDTH	DEPTH
AMBER	RED			
116A	116R	5.37"	1.25"	1.37"



SUBMERSIBLE CLEARANCE LIGHTS

DRY LAUNCH

PART #		TYPE	LENGTH	WIDTH	DEPTH	REPL PARTS	
AMBER	RED					BULB	SLIDE
202ARS	202RRS	A	3.37"	.875"	.125"	168-LB	2S2CXS-9912
203ARS	203RRS	B	5.50"	.875"	1.5"	168-LB	2S3CS2-99X2
205MTX-9927		C	3.68"	1.50"	.50"	168-LB	n/a

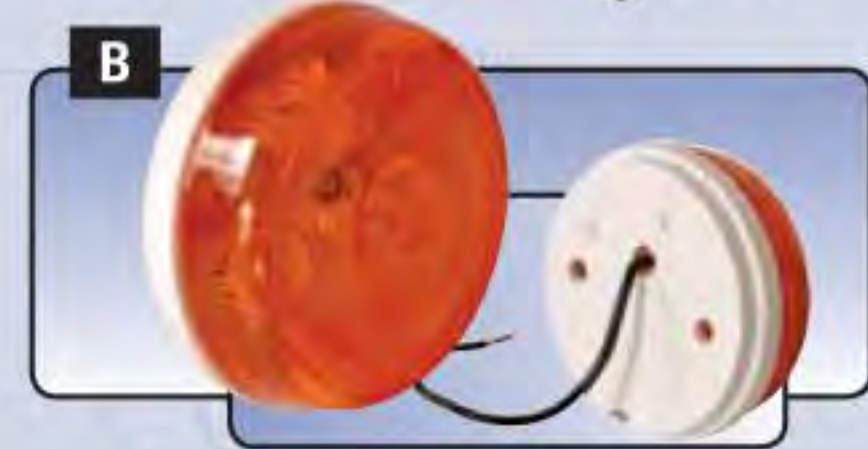


STANDARD CLEARANCE LIGHTS

ROUND

PETERSON

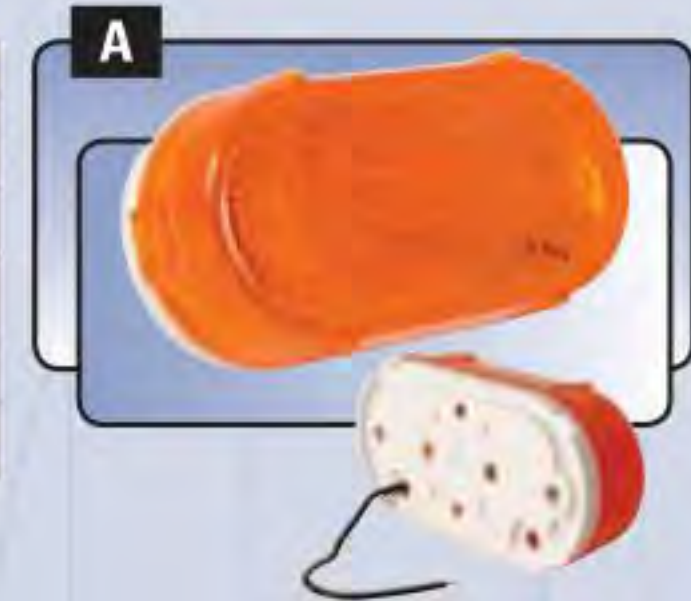
PART #		TYPE	DIAMETER	DEPTH	BULB	REPL PARTS	
AMBER	RED					LENS	
						AMBER	RED
102A	102R	A	2.87"	1.12"	194-LB	102-15A	102-15R
M104A	M104R	B	2.50"	1.12"	194-LB	100-15A	100-15R



OVAL

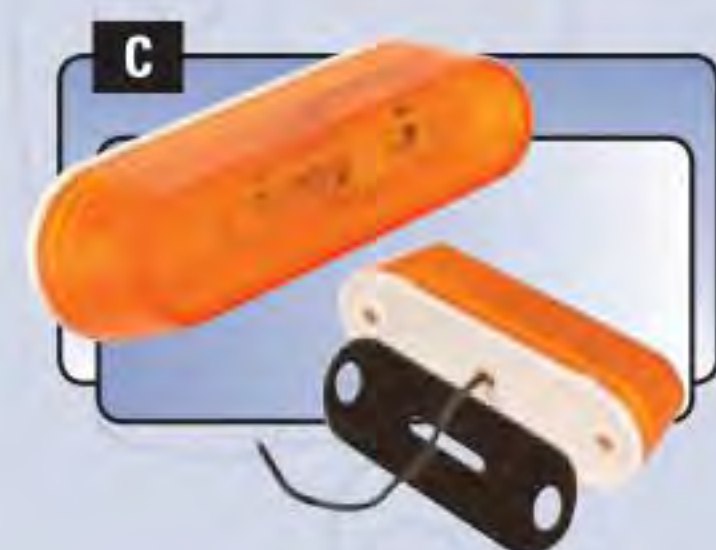
PETERSON

PART #		TYPE	LENGTH	WIDTH	DEPTH	NOTES	BULB	REPL PARTS	
AMBER	RED							LENS	
								AMBER	RED
106A	106R	A	4.12"	2.00"	1.03"	2 Bulb	194-LB	108-15A	108-15R
108WA	108WR	A	4.12"	2.00"	1.03"	1 Bulb	194-LB	108-15A	108-15R
135A	135R	A	4.12"	2.00"	1.03"	2 Bulb	194-LB	134-15A	134-15R
136A	136R	C	3.50"	1.12"	1.06"	1 Bulb	194-LB	136-15A	136-15R



Jammy Inc.

PART #		TYPE	DESCRIPTION
AMBER	RED		
J-126-AW	J-126-RW	A	2" x 4" Single Bulb
J-122-A	J-122-R	A	2" x 4" Duel Bulbs
J-323-A	J-323-R	B	2" x 4" Duel Bulbs



RECTANGULAR

PETERSON

PART #		TYPE	LENGTH	WIDTH	DEPTH	REPL PARTS		
AMBER	RED					BULB	LENS	
						AMBER	RED	
107WA	107WR	A	3.25"	1.00"	1.12"	194-LB	107-15A	107-15R
114A	114R	B	2.75"	2.12"	1.00"	194-LB	55-15A	55-15R
115A	115R	C	4.00"	2.37"	1.00"	194-LB	55-15A	55-15R
119A	119R	D	4.50"	2.18"	1.25"	168-LB	119-15A	119-15R
122A	122R	E	4.87"	2.25"	1.37"	194-LB	124-15A	124-15R
122XA	122XR	F	4.87"	2.25"	1.37"	194-LB	124-15A	124-15R
123A	123R	G	5.00"	2.12"	1.37"	194-LB	124-15A	124-15R
124A	124R	H	4.87"	2.25"	1.37"	194-LB	124-15A	124-15R
126A	126R	I	3.75"	2.25"	.500"	194-LB	126-25A	126-25R
130A	130R	J	6.00"	2.06"	1.00"	194-LB	130-25A	130-25R
138A	138R	K	4.00"	2.00"	1.12"	194-LB	138-15A	138-15R



Jammy Inc.

PART #		TYPE	LENGTH	WIDTH	DEPTH
AMBER	RED				
J-1024S-A	J-1024S-R	B	2.75"	2.125"	.75"
J-550-A	J-550-R	D	4.50"	2.25"	1.375"
J-226-A	J-226-R	K	4.00"	1.375"	1.375"



Wesbar

PART #		TYPE	LENGTH	WIDTH	DEPTH	REPL PARTS	
AMBER	RED					BULB	LENS
003101	003103	J	3.12"	2.37"	1.00"	1895-LB	003330



Bargman

PART #		TYPE	LENGTH	WIDTH	DEPTH	REPL PARTS	
AMBER	RED					BULB	LENS
3099002	3099001	K	4.06"	1.37"	1.00"	1895-LB	30-99-01#

FRACTION	1/16	1/8	3/16	1/4	5/16	3/8	7/16	1/2	9/16	5/8	11/16	3/4	13/16	7/8	15/16
DECIMAL	.0625	.1250	.1875	.2500	.3125	.3750	.4375	.5000	.5625	.6250	.6875	.7500	.8125	.8750	.9375

LED IDENTIFICATION LIGHT BARS

PETERSON

PART #		TYPE	LENGTH	WIDTH	DEPTH
AMBER	RED				
n/a	160-3R	A	16.75"	1.00"	1.50"
169-3A	169-3R	B	16.06"	1.25"	1.00"

Jammy Inc.

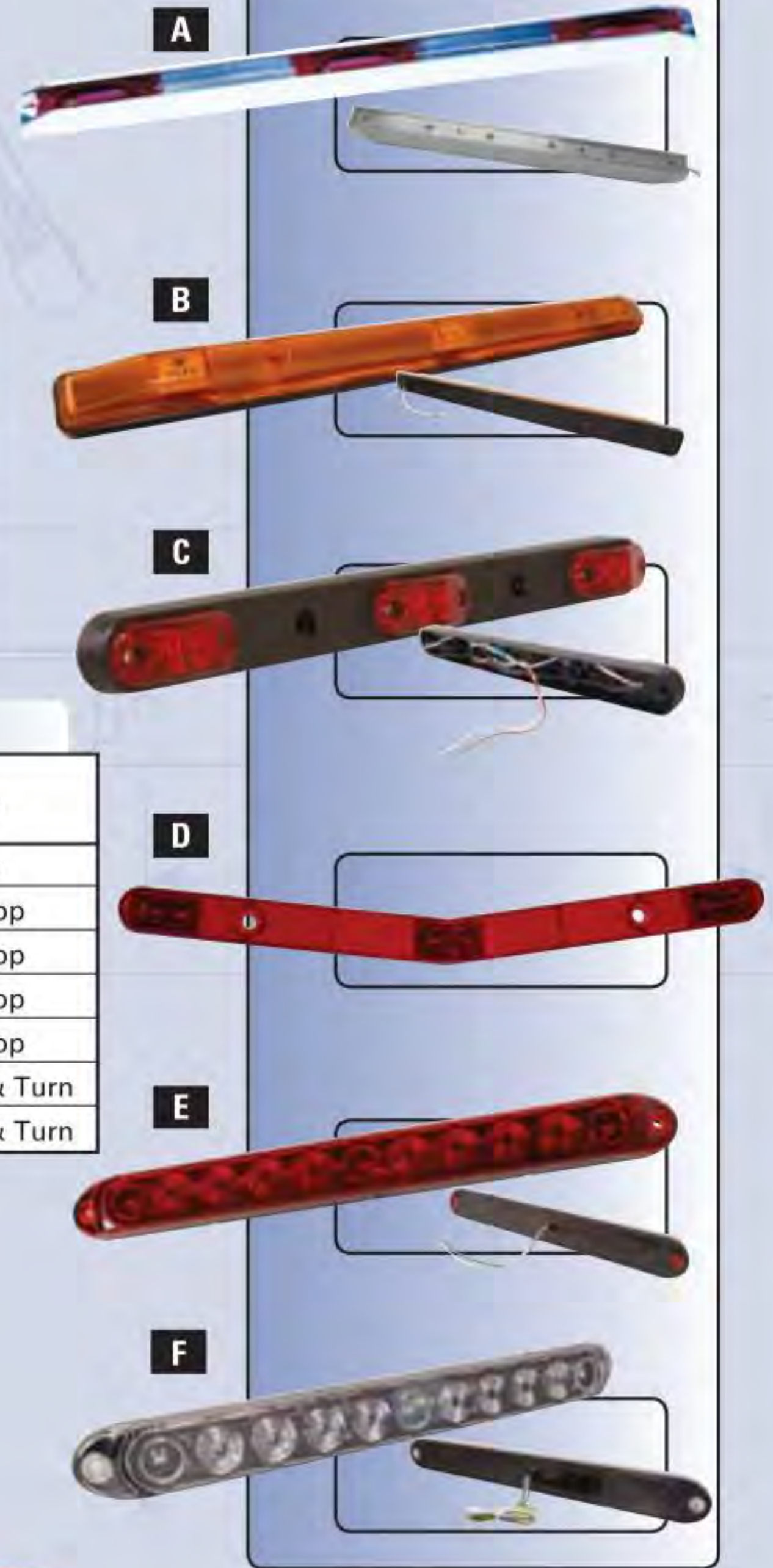
PART #		TYPE	LENGTH	WIDTH	DEPTH	DIODES
AMBER	RED					
J-555-A	J-555-R	C	16.625"	1.50"	1.50"	6
J-535-R	J-535-A	E	15.50"	1.525"	.75"	11
J-5254-R (CHM Stop & Turn)		E	15.50"	1.625"	.75"	3
J-5254-RC (CHM Stop & Turn)		F	15.50"	1.625"	.75"	3
J-VID (Red 7 Deg. V Bend)		D	18.125"	-	-	6
J-5735-3SR		G	16.625"	1.50"	.75"	6

INNOVATIVE LIGHTING inc.

PART #		TYPE	LENGTH	WIDTH	DEPTH	NOTES
AMBER	RED					
220-1100-1	220-4400-1	C	15"	1.50"	.75"	ID Bar
251-1100-1	251-4400-1	E	15"	1.50"	.75"	CHM Stop
251-1500-1	251-4500-1	F	15"	1.50"	.75"	CHM Stop
n/a	252-4400-1	E	15"	1.50"	.75"	CHM Stop
n/a	252-4500-1	F	15"	1.50"	.75"	CHM Stop
n/a	253-4400-1	E	15"	1.50"	.75"	CHM Stop & Turn
n/a	253-4500-1	F	15"	1.50"	.75"	CHM Stop & Turn

Wesbar

PART #		TYPE	LENGTH	WIDTH	DEPTH
AMBER	RED				
n/a	4799004	G	14.25"	1.18"	1.06"



SEALED IDENTIFICATION LIGHT BARS

PETERSON

PART #		TYPE	LENGTH	WIDTH	DEPTH
AMBER	RED				
150-3A	150-3R	A	16.75"	1.00"	1.50"

Wesbar

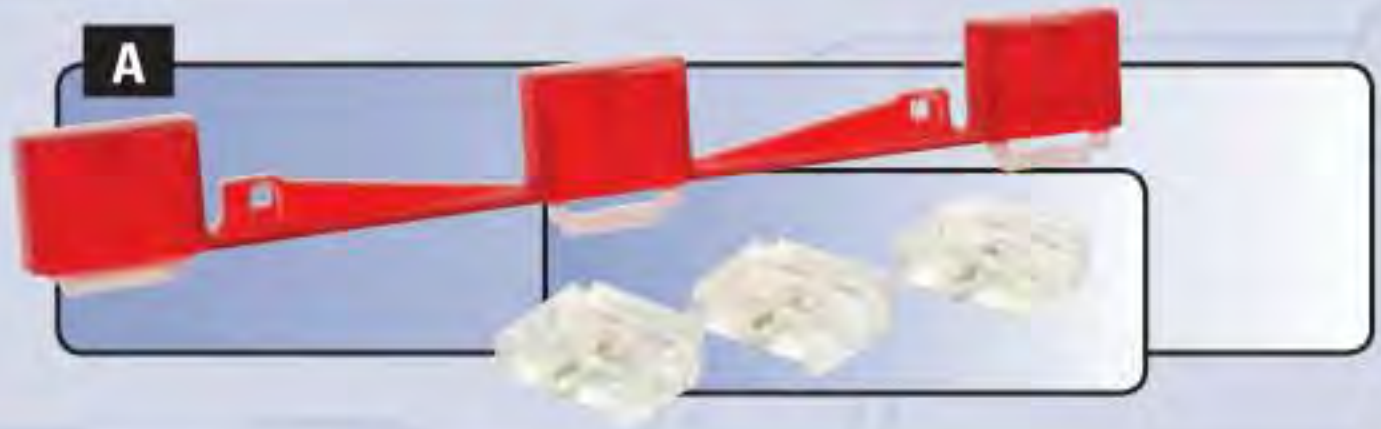
PART #		TYPE	LENGTH	WIDTH	DEPTH
AMBER	RED				
n/a	003305	B	14.50"	1.12"	1.00"



SUBMERSIBLE IDENTIFICATION LIGHT BARS

DRY LAUNCH

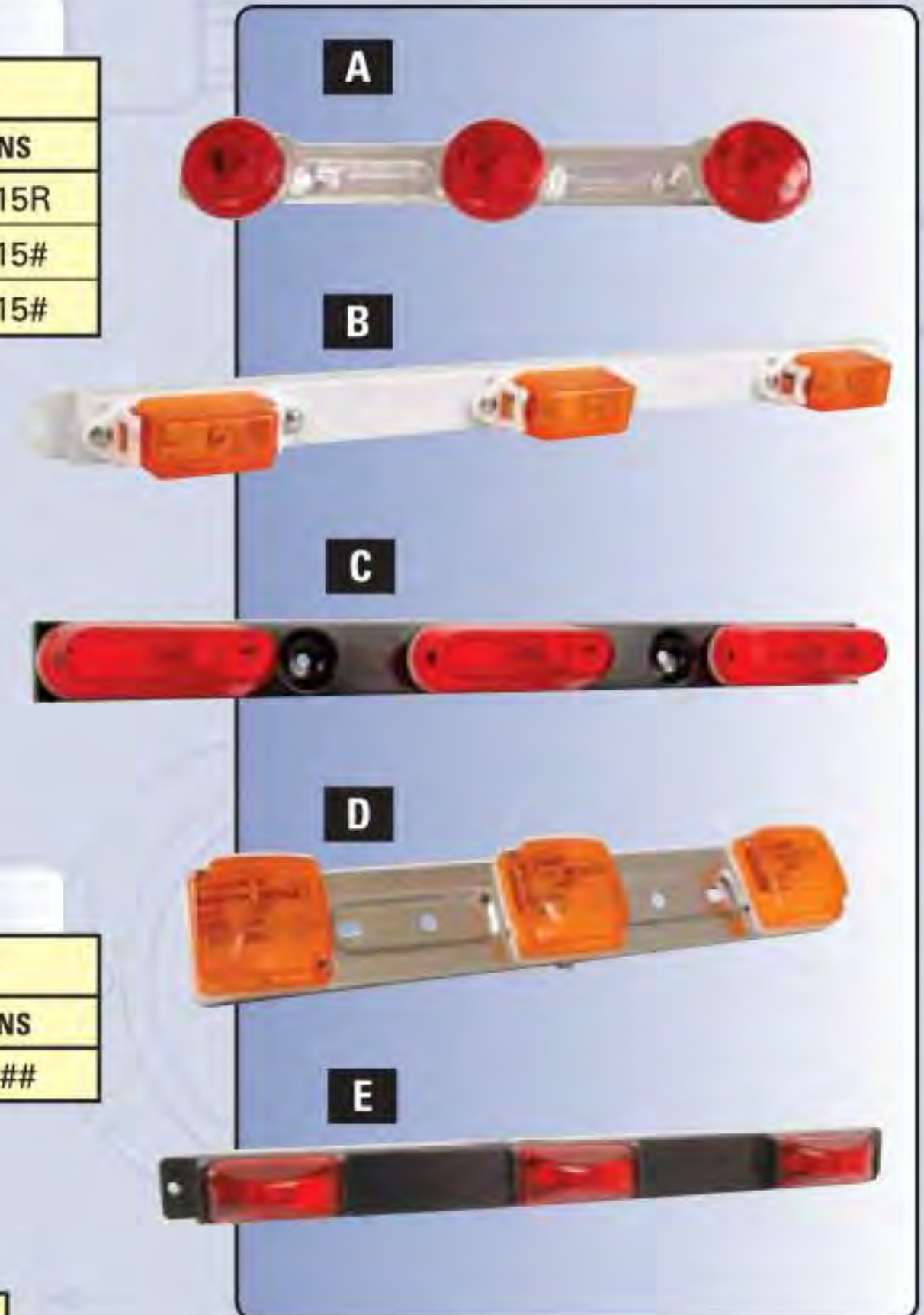
PART #		TYPE	LENGTH	WIDTH	DEPTH
AMBER	RED				
n/a	327RBX-9962	A	14"	1.50"	.625"



STANDARD IDENTIFICATION LIGHT BARS

PETERSON

PART #		TYPE	LENGTH	WIDTH	DEPTH	REPL PARTS	
AMBER	RED					BULB	LENS
n/a	104-3R	A	15.25"	2.50"	1.25"	194-LB	100-15R
107-3A	107-3R	B	16.12"	1.00"	1.37"	194-LB	107-15#
136-3A	136-3R	C	15.50"	1.18"	1.37"	194-LB	136-15#



Jammy Inc.

PART #		TYPE	LENGTH	WIDTH	DEPTH
AMBER	RED				
J-500-3W-A	J-500-3W-R	C	15.50"	1.25"	1.25"
n/a	J-569-R	E	16.625"	1.50"	1.50"

Wesbar

PART #		TYPE	LENGTH	WIDTH	DEPTH	REPL PARTS	
AMBER	RED					BULB	LENS
003301	n/a	D	14.50"	2.25"	1.15"	1895-LB	0033##

Bargman.

PART #	LENGTH	WIDTH	DEPTH	NOTES	REPL PARTS	
					BULB	LEN
30-99-101	18.18"	2.93"	1.67"	-	194-LB	30-99-040
30-99-111	18.18"	2.93"	2.67"	Spot Lights	194-LB	30-99-050

30-99-101



30-99-111



FRACTION TO DECIMAL CONVERSION CHART

FRACTION	1/16	1/8	3/16	1/4	5/16	3/8	7/16	1/2	9/16	5/8	11/16	3/4	13/16	7/8	15/16
DECIMAL	.0625	.1250	.1875	.2500	.3125	.3750	.4375	.5000	.5625	.6250	.6875	.7500	.8125	.8750	.9375

LICENSE PLATE LIGHTS LED

PETERSON

PART #	STYLE	LENGTH	WIDTH	DEPTH/HEIGHT
298C	Round, Flush Mount	n/a	1.52"	2.10"
296C	Rectangular, Surface Mount	4"	1.63"	2.25"
294C	Rectangular, Flush Mount	2.53"	1.17"	1.31"



298C

Jammy Inc.

PART #	STYLE	LENGTH	WIDTH	DIODES
J-EC5	Rectangular, Surface Mount	1.25"	2.50"	2



296C



J-EC5



294C

LICENSE PLATE LIGHTS

PETERSON

PART #	TYPE	STYLE	LENGTH	WIDTH	DEPTH/HEIGHT
436	A	Surface Mount, No Bracket	4"	1.75"	2.25"
436B	B	Surface Mount, w/Bracket	8.875"	2.875"	2.25"
436SX	C	Stud Mount, No Bracket, Chrome Plated	2.6875"	1.5"	2.125"
439	D	Sealed, Surface Mount, No Bracket	3.375"	1.25"	2.375"
M435	E	Surface Mount, No Bracket, Chrome	2.75"	1.5"	2"
438	F	Flush Mount, Round Snap-in	n/a	1.5"	2"



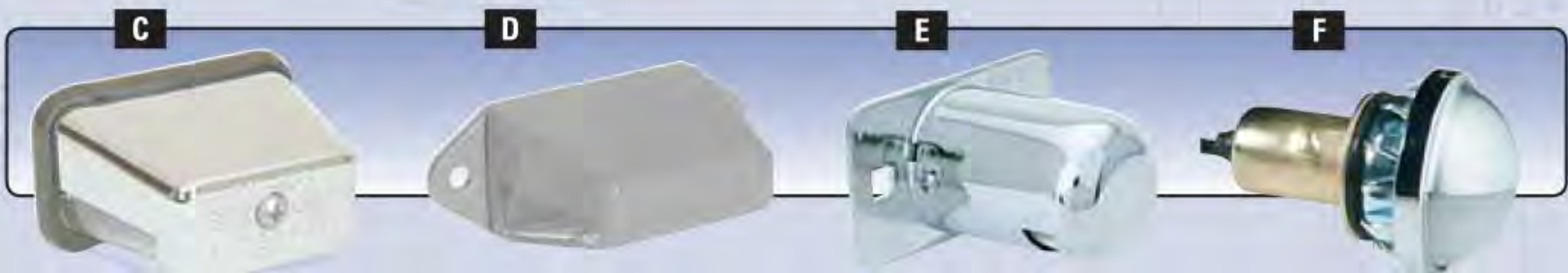
A



B

Jammy Inc.

PART #	TYPE	STYLE	LENGTH	WIDTH	DEPTH/HEIGHT
J-99-B	Surface Mount, No Bracket	A	1.875"	2.25"	1.50"
J-99-BRK	Surface Mount, w/Bracket	B	1.875"	2.25"	1.50"
J-EC2	Flush Mount, Round Snap-in	F	1.50"	-	1.875"



C



D



E



F

INTERIOR DOME LIGHTS LED

PETERSON

PART #	TYPE	LENGTH	WIDTH	DEPTH/HEIGHT
381	Round, Surface Mount	n/a	2.95"	.69"
366	Rectangular, Surface Mount	5.5"	3"	.69"
M368	Rectangular, Surface Mount	5.83"	2.85"	.79"
178	Oval, Surface Mount	4.75"	1.5"	.68"



Jammy Inc.

PART #	TYPE	LENGTH	WIDTH
J-915	Oval, Surface Mount	7.00"	4.25"
J-925	Oval, Double, Surface Mount	12.00"	4.25"



INTERIOR DOME LIGHTS

PETERSON

PART #	TYPE	LENGTH	WIDTH	DEPTH/HEIGHT
M385S	Rectangular, Surface Mount	6.375"	3.5"	2.125"
391	Rectangular, Surface Mount	4.5625"	2.5"	1.75"
M434	Rectangular, Surface Mount	2.5625"	1.1875"	1"
390S	Round, Surface Mount	n/a	6.3125"	2"
M389S	Round, Surface Mount	n/a	4.875"	1.375"

FRACTION	DECIMAL	FRACTION	DECIMAL
1/16	.0625	9/16	.5625
1/8	.1250	5/8	.6250
3/16	.1875	11/16	.6875
1/4	.2500	3/4	.7500
5/16	.3125	13/16	.8125
3/8	.3750	7/8	.8750
7/16	.4375	15/16	.9375
1/2	.5000		

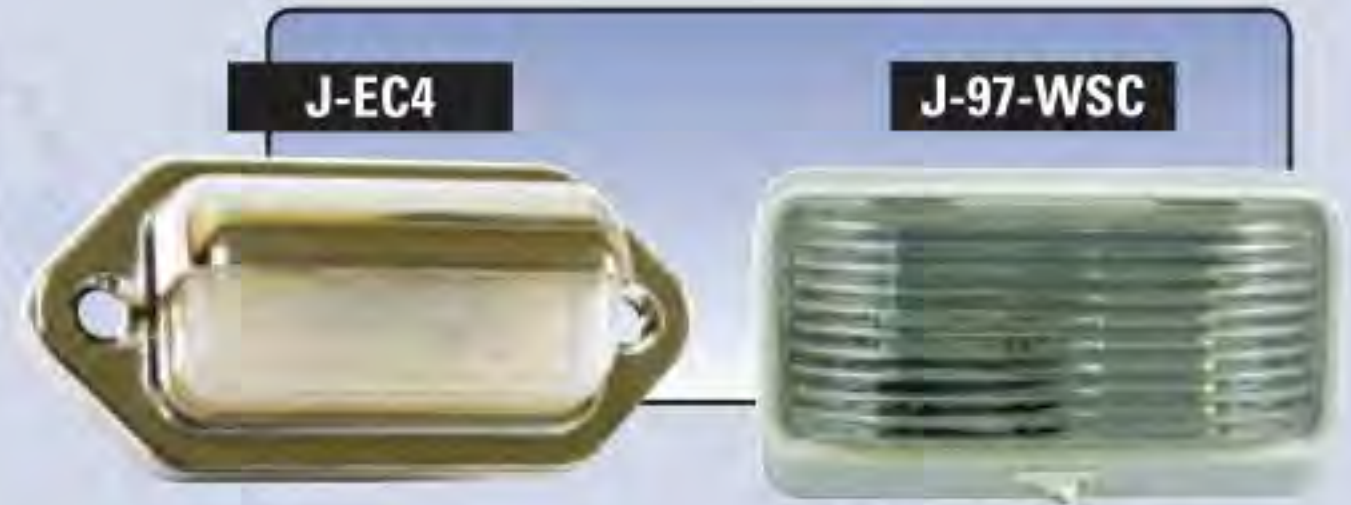


- AXLES & COMPONENTS
- SUSPENSIONS & COMPONENTS
- BRAKES & COMPONENTS
- TIRES & WHEELS
- FENDERS & BODY
- JACKS & COUPLERS
- BRAKE CONTROL SYSTEMS
- TOWING & ACCESSORIES
- MARINE COMPONENTS
- HARDWARE & ACCESSORIES
- AGRICULTURAL COMPONENTS
- PAINT & LUBRICANTS
- LIGHTS & ELECTRICAL
- PACKAGED PRODUCTS

INTERIOR DOME LIGHTS (Continued)

Jammy Inc.

PART #	TYPE	LENGTH	WIDTH
J-EC4	Oval Chrome Surface Mount	1.25"	2.50"
J-97-WSC	Rectangular, Surface Mount w/Switch	6.50"	3.625"



Wesbar

PART #	TYPE	LENGTH	WIDTH	DEPTH/HEIGHT
3078517	Rectangular, Surface Mount	5.3125"	3.5"	2"



WORK LIGHTS LED

PETERSON

PART #	TYPE	LENGTH	WIDTH	DEPTH/HEIGHT
910-MV	Pedestal-Mount Work Light, Rectangular	5.05"	4.29"	2.52"
903-MV	Rectangular w/mounting hardware	5.87"	4.57"	1.69"
901-MV	2" Round Mini	3.35"	2.22"	2.56"
915-MV	5"x 7" Rectangular	7.00"	7.31"	2.60"



910-MV

Jammy Inc.

PART #	STYLE	LENGTH	WIDTH	DIODES
J-14605	Rectangular Rubber Mount	4.25"	3.00"	6

J-14605



WORK LIGHTS

PETERSON

PART #	TYPE	LENGTH	WIDTH	DEPTH/HEIGHT
M408	Pedestal-Mount Work Light, Round	n/a	4.875"	2.75"
M503HT	Pedestal-Mount Work Light, Rectangular	5.5"	6.875"	3"



M408



M503HT

Jammy Inc.

PART #	TYPE	LENGTH	WIDTH	DEPTH
J-14570	Pedestal-Mount Rectangular	6.00"	3.75"	3.50"
J-14570-S	Pedestal-Mount Rectangular w/Switch	6.00"	3.75"	3.50"

J-14570



AXLES & COMPONENTS

SUSPENSIONS & COMPONENTS

BRAKES & COMPONENTS

TIRES & WHEELS

FENDERS & BODY

JACKS & COUPLERS

BRAKE CONTROL SYSTEMS

TOWING & ACCESSORIES

MARINE COMPONENTS

HARDWARE & ACCESSORIES

AGRICULTURAL COMPONENTS

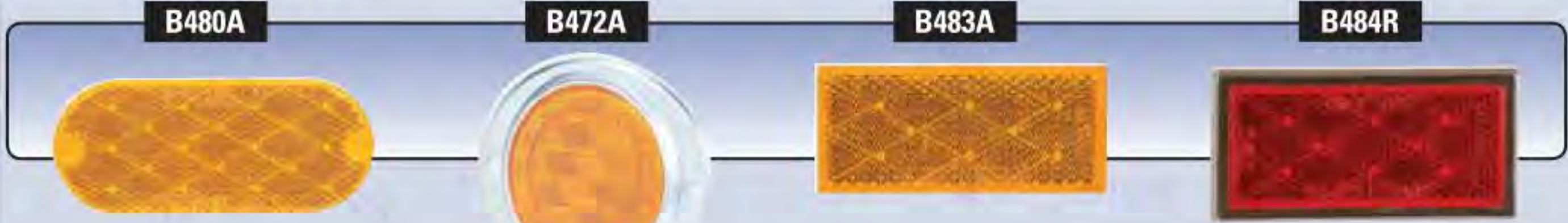
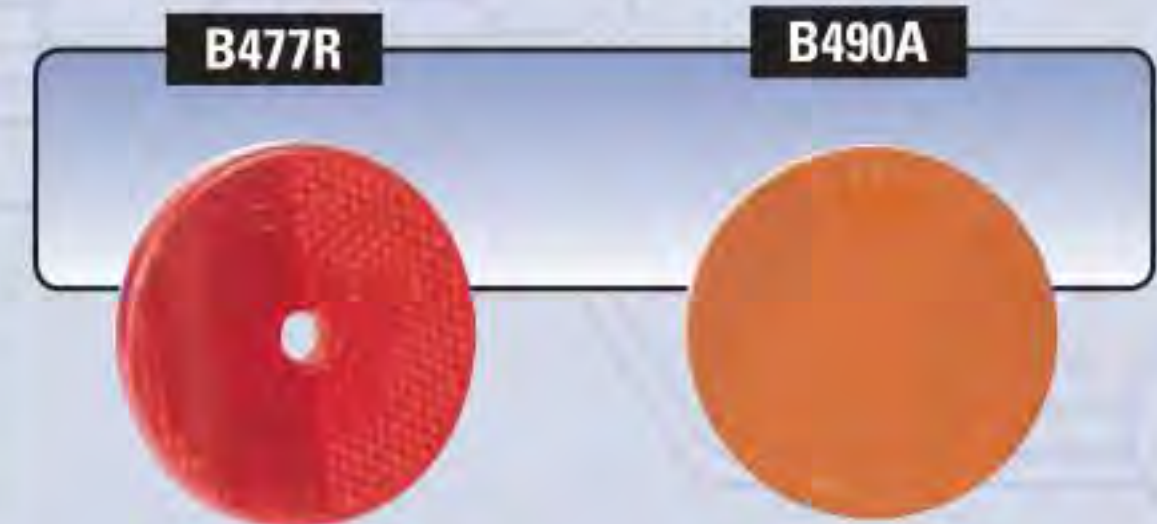
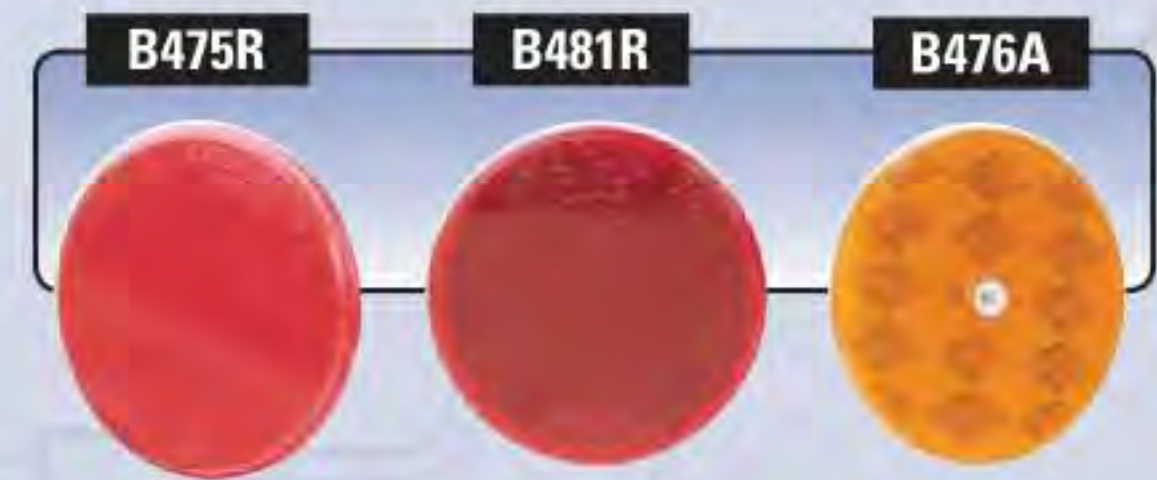
PAINT & LUBRICANTS

LIGHTS & ELECTRICAL

PACKAGED PRODUCTS

REFLECTORS

PART #		DESCRIPTION
AMBER	RED	
B475A	B475R	Round, Quick Mount, 3" Diameter
B481A	B481R	Round, Quick Mount, 2.385" Diameter
B476A	B476R	Round, Center Mount, 2.1875" Diameter
B477A	B477R	Round, Center Mount, 2.385" Diameter
B490A	B490R	Round, Wide Angle, 2.875"
B480A	B480R	Oblong, Quick Mount
B472A	B472R	Oval, Aluminum Housing
B483A	B483R	Rectangular, Quick Mount, 3.125" x 1.375"
B484A	B484R	Rectangular, Chrome Bezel, 3.125" x 1.375"
B485A	B485R	Rectangular, Quick Mount, 3.4375" x 1.6875"
B487A	B487R	Rectangular, Quick Mount, 4.4375" x 1.125"
B489A	B489R	Rectangular, Wide Angle, 2.750" x 1.750"
B491A	B491R	Rectangular, Wide Angle, 4.3125" x 1.6875"

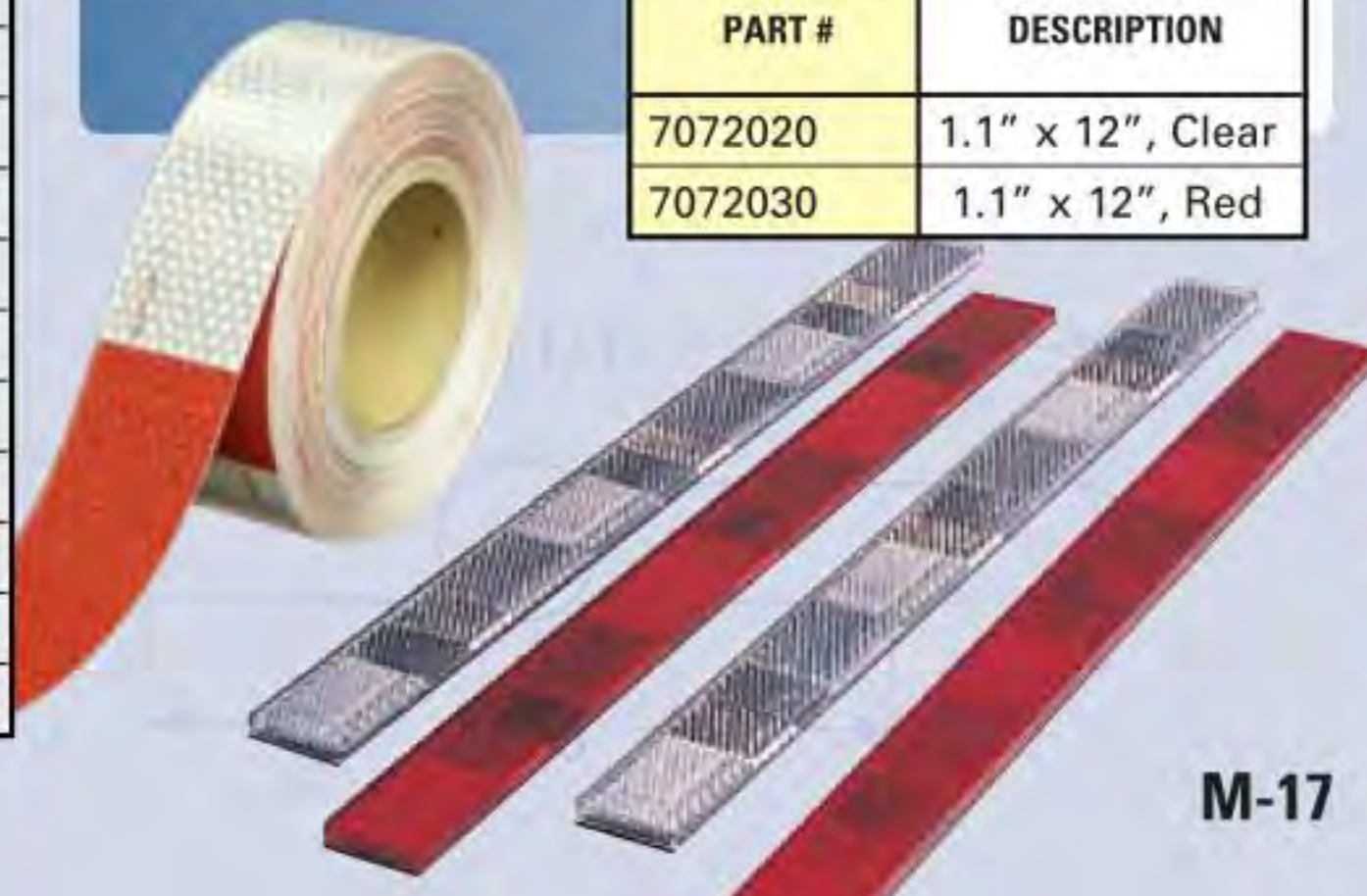


CONSPICUITY TAPE

PART #	DESCRIPTION	SIZE
963-326E-ES	6" Red, 6" White	2"x150' Roll
963-32ES	11" Red, 7" White	2"x150' Roll
963-32ES-18	11" Red, 7" White	2"x18"
963-10ES	All White	2"x150' roll
V92-5549-010150	11" Red, 7" White	1"x150' Roll
V92-5549-020150	11" Red, 7" White Daybright	2"x150' Roll
V92-5549-K18150	11" Red, 7" White KissCut	2"x150' Roll
V92-5649-01050	6" Red, 6" White Daybright	1"x150' Roll
V92-5649-020150	6" Red, 6" White Daybright	2"x150' Roll
V92-5649-K12150	6" Red, 6" White KissCut	2"x150' Roll
96332218	11" Red 7" White	2"x18"
983-32	11" Red, 7" White	2"x150' Roll
981-32ES-18	11" Red, 7" White	2"x18"
983-326E-ES	6" Red, 6" White	2"x 150' Roll
983-72	All Red	2"x 150' Roll
983-10	All White	2"x 150' Roll

CONSPICUITY REFLECTORS

Conspicuity reflectors meet or exceed DOT-C and SAE J5941 for reflectivity marking on trucks and trailers. Hermetically sealed to keep moisture and dirt out, they won't wrinkle, rip or bubble during application. Easy to peel, industrial strength adhesive tape allows for a quick installation. They are ideal for increasing the visibility and safety factor of all utility, cargo, livestock, semi, RV, and horse trailers.

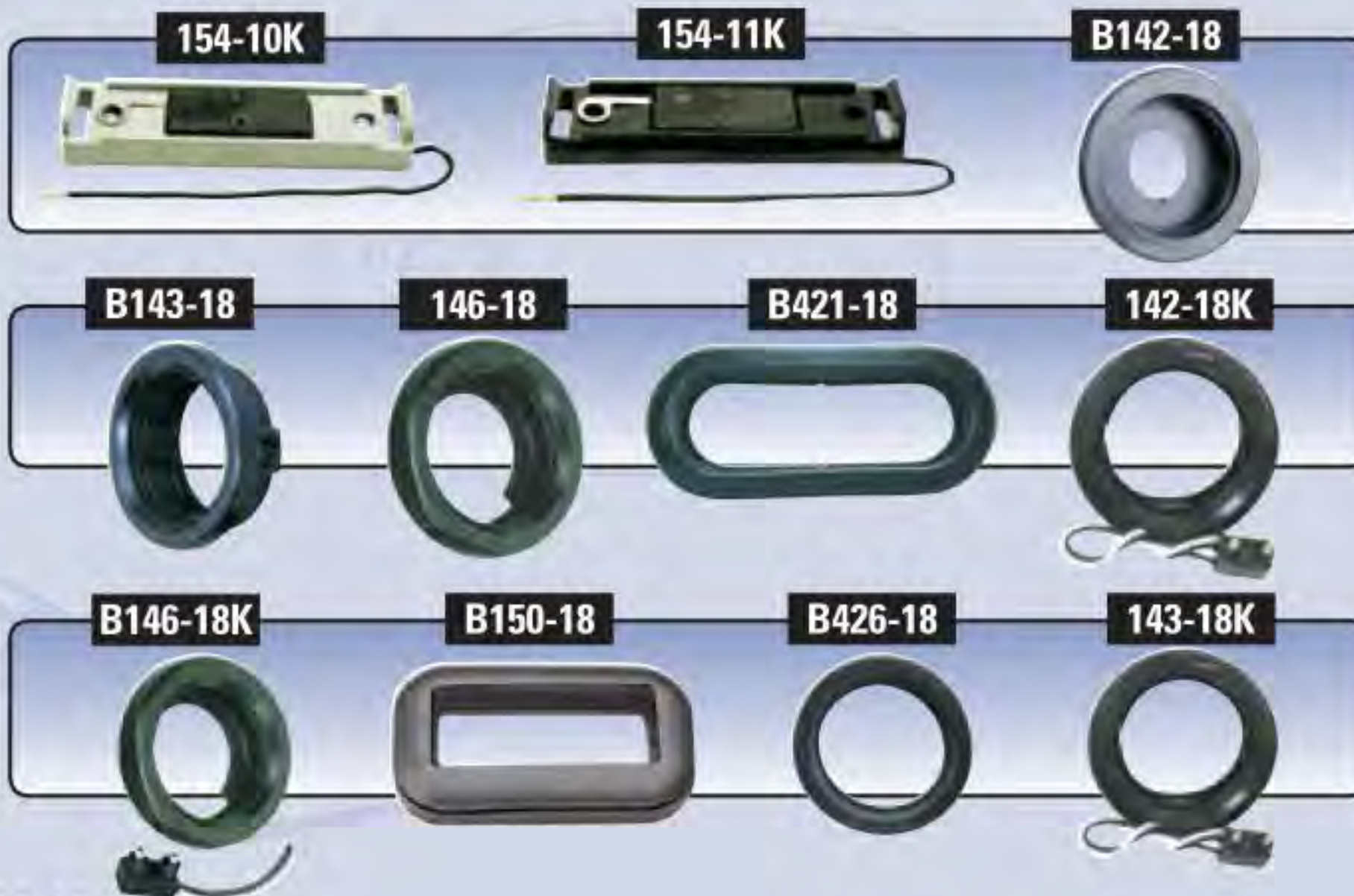


PART #	DESCRIPTION
7072020	1.1" x 12", Clear
7072030	1.1" x 12", Red

- AXLES & COMPONENTS
- SUSPENSIONS & COMPONENTS
- BRAKES & COMPONENTS
- TIRES & WHEELS
- FENDERS & BODY
- JACKS & COUPLERS
- BRAKE CONTROL SYSTEMS
- TOWING & ACCESSORIES
- MARINE COMPONENTS
- HARDWARE & ACCESSORIES
- AGRICULTURAL COMPONENTS
- PAINT & LUBRICANTS
- LIGHTS & ELECTRICAL
- PACKAGED PRODUCTS

LIGHTING ACCESSORIES

PART #	ITEM	DESCRIPTION
413-07	Pigtail	Indexing Type For All S-8 Double Contact Bulbs
411-07	Pigtail	Non-Indexing Type For All G-6, S-8 And S-11 Single Contact Bulbs
154-49	Pigtail	Lead Wire For 150 And 154 Series Bracket
142-49	Plug	For Clearance Marker And License Light
421-491	Plug	For 421 Series Lights
B150-49	Plug	For 150-3 Series Lights
B417-49	Plug	3-wire hard-shell, weatherproof. For use with original non-hardwired versions of 417, 418, 420, and 423 series
B417-491	Plug	Adapter fits 421-491 and 431-491 plugs
B431-491	Plug	For 426 Series Lights
410-21	Retaining Ring	For 4.50" Diameter Lenses
150-092	Kit	Surface Mount Kit For 150 Series Lights
154-09K	Kit	Surface Mount Kit For 154 Series Lights
154-10K	Kit	Surface Mount Kit For 154 Series Lights
154-11K	Kit	Surface Mount Kit For 154 Series Lights
B142-18	Grommet	For 142 Series Lights
B143-18	Grommet	For 143 Series Lights
B146-18	Grommet	For 146 Series Lights
B150-18	Grommet	For 150 Series Lights
B421-18	Grommet	For 421 Series Lights
B426-18	Grommet	For 426 Series Lights
142-18K	Grommet Kit	Recessed Mount For 2.5" Sealed Lights, Requires A 3" Mounting Hole
143-18K	Grommet Kit	Flush Mount For 2.5" Sealed Lights, Requires A .78125" Mounting Hole
146-18K	Grommet Kit	Flush Mount For 2" Sealed Lights, Requires A .3125" Mounting Hole
150-18K	Grommet Kit	Flush Mount For 150 Series Sealed Lights, Requires A 2.875 x 1.5625" Mounting Hole
B421-49	Pigtail	Two Wire For Clear Lights
154-121K	Surface Mount	Surface Fender Mount For 154 Series Lights



FRACTION	DECIMAL	FRACTION	DECIMAL
1/16	.0625	9/16	.5625
1/8	.1250	5/8	.6250
3/16	.1875	11/16	.6875
1/4	.2500	3/4	.7500
5/16	.3125	13/16	.8125
3/8	.3750	7/8	.8750
7/16	.4375	15/16	.9375
1/2	.5000		

TAIL LIGHT CONVERTERS

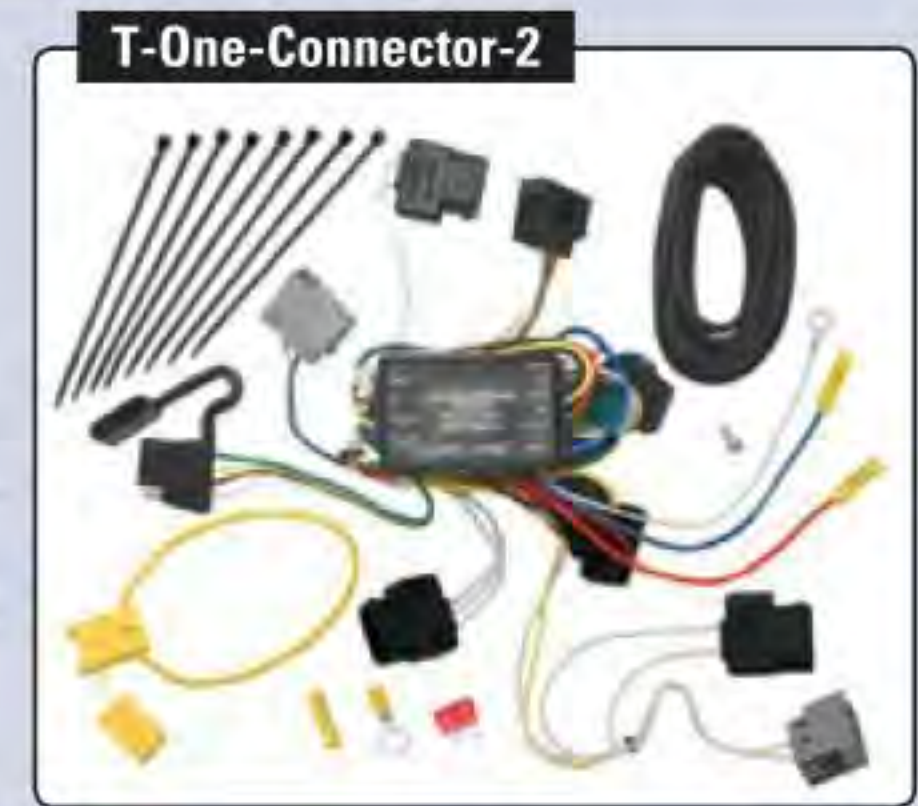
Tail light converters prevent electrical damage by connecting three wire systems to two-wire lighting systems. Some vehicles with amber turn signals or separate stop lights cannot be directly wired to a standard trailer without one.

PART #	DESCRIPTION
TAP101	3-Wire To 2-Wire, w/4-Way Flat Connector
PL100HD	3-Wire To 2-Wire



TOW VEHICLE LIGHTING KITS

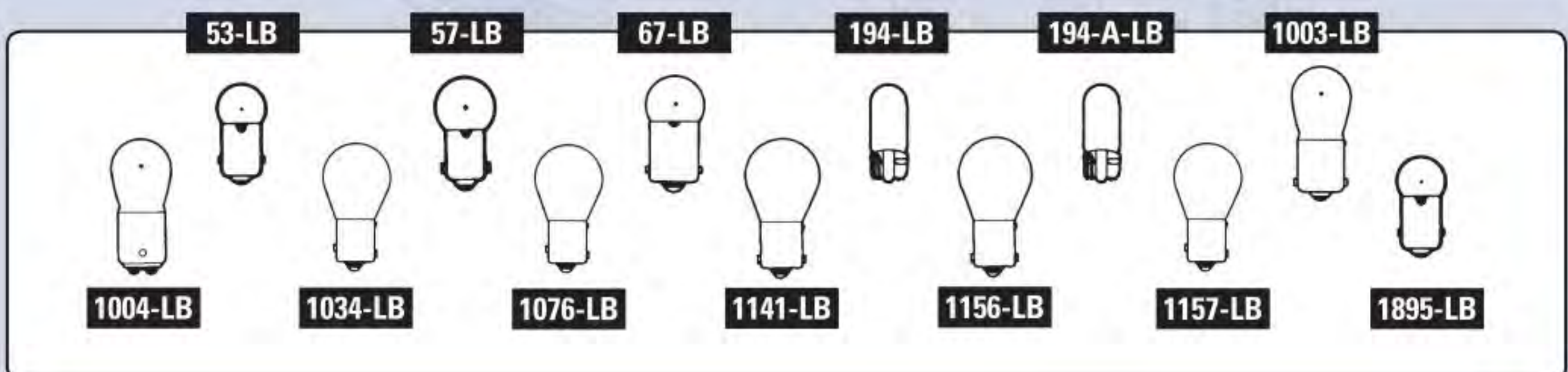
We carry a wide range of lighting kits from several different manufactures that allow you to tap into your tow vehicle's wiring harness and connect to your trailer lights. Contact your local branch for options and availability.



REPLACEMENT LIGHT BULBS

PART #	DESIGN VOLTS	AMPS	CANDLE POWER	LIFE HOURS	APPLICATION
53-LB	14.4	.12	1	1,000	Auto, Instrument
57-LB	14.0	.24	2	500	Auto, Instrument
67-LB	13.5	.59	4	5,000	Auto, License
194-LB	14.0	.27	2	2,500	Auto, Instrument, Heavy Duty
194-A-LB	14.0	.27	-	2,500	Auto, Amber Side Marker
1003-LB	12.8	.94	15	100	Auto/RV, Interior, Single Contact
1004-LB	12.8	.94	15	100	Auto/RV, Interior, Double Contact
1034-LB	12.8	1.80	32	200	Auto, Park/Tail/Signal
1076-LB	12.8	1.80	32	200	Auto/RV/Marine, Signal
1156-LB	12.8	2.10	32	1,200	Auto, Backup
1157-LB	12.8	2.10	32	1,200	Auto, Park/Tail/Signal
1895-LB	14.0	.27	2	2,000	Auto, Instrument

FRACTION	DECIMAL	FRACTION	DECIMAL
1/16	.0625	9/16	.5625
1/8	.1250	5/8	.6250
3/16	.1875	11/16	.6875
1/4	.2500	3/4	.7500
5/16	.3125	13/16	.8125
3/8	.3750	7/8	.8750
7/16	.4375	15/16	.9375
1/2	.5000		



- AXLES & COMPONENTS
- SUSPENSIONS & COMPONENTS
- BRAKES & COMPONENTS
- TIRES & WHEELS
- FENDERS & BODY
- JACKS & COUPLERS
- BRAKE CONTROL SYSTEMS
- TOWING & ACCESSORIES
- MARINE COMPONENTS
- HARDWARE & ACCESSORIES
- AGRICULTURAL COMPONENTS
- PAINT & LUBRICANTS
- LIGHTS & ELECTRICAL
- PACKAGED PRODUCTS

LIGHT MOUNTING BRACKETS

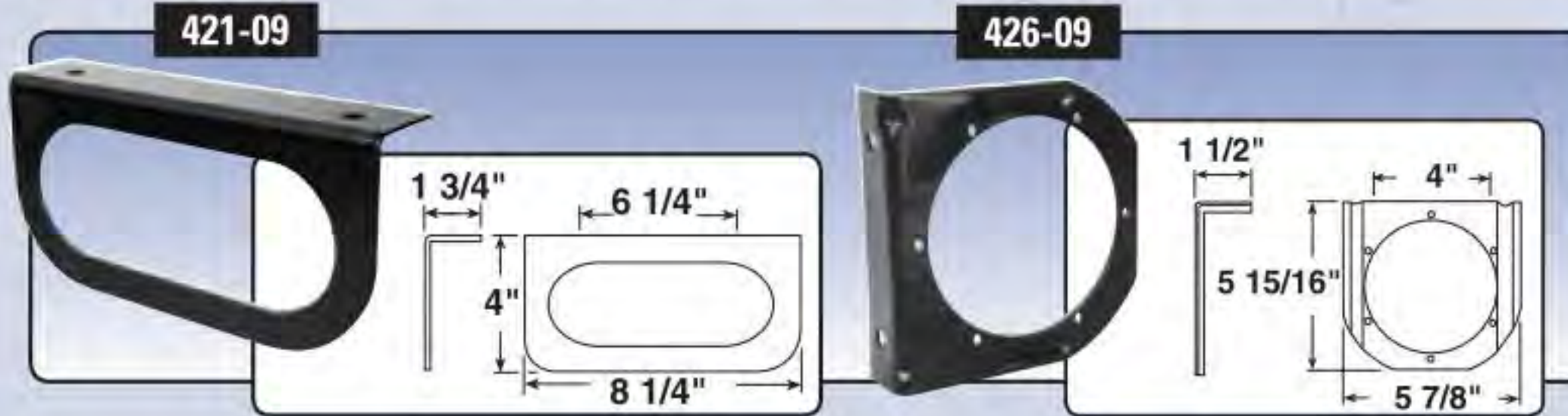
PART #	DESCRIPTION	APPLICATION
510-9	L-Bend Bolt On, Black Enamel Steel	Most Stud Mount Stop And Tail Lights
428-BKT	Weld On, Plain Steel	Most Stud Mount Stop And Tail Lights
428L-BKT	L-Bend Bolt On, Galvanized Steel	Most Stud Mount Stop And Tail Lights
421-09	L-Bend Bolt On, Black Enamel Steel	Most 6" Oval Lights
426-09	L-Bend Bolt On, Black Enamel Steel	Most 4" Round Lights
5154	Weld On, Plain Steel	Most 6" Oval Lights
146-LB	L-Bend Weld On, Plain Steel	Most 2.0" Round Sealed Lights
142-LB	L-Bend Weld On, Plain Steel	Most 2.5" Round Sealed Lights
146-09	Surface Mount Adapter, Plastic	Most 2.0" Round Sealed Lights
142-09	Surface Mount Adapter, Plastic	Most 2.5" Round Sealed Lights
150-095	Surface Mount Adapter, Plastic	153 Series Lights
154-11K	Surface Mount Adapter, Plastic	154 Series Lights
150-10	Surface Mount Adapter, Chrome	150 Series Lights
150-09	Surface Mount Adapter, Plastic	150 Series Lights



428-BKT



5154



LICENSE MOUNTING BRACKETS

License brackets are universally designed to work with most tail lights.

PART #	DESCRIPTION
440-09	Plastic
428-09	Zinc Plated Steel
55XBMX-99X2	Plastic, 2" Hole Center
J-2024-BRK	Economy Plastic



LIGHT PROTECTORS

Trailer lights can be easily damaged, protect your tail lights with these light protectors.

PART #	DESCRIPTION	APPLICATION
428LP	Round, Steel	420 Series Tail Lights
440LP	Square, Steel Universal	440 Series Tail Lights
LP-1L	Square, Steel Left	440 Series Tail Lights
LP-1R	Square, Steel Right	440 Series Tail Lights
106-09	Chrome Guard For Oblong Clearance Lights	Most 4" x 2" Oval Clearance Lights
LP-22	6" Oval Rear, 2" Round side	Universal



AXLES & COMPONENTS
SUSPENSIONS & COMPONENTS
BRAKES & COMPONENTS
TIRES & WHEELS
FENDERS & BODY
JACKS & COUPLERS
BRAKE CONTROL SYSTEMS
TOWING & ACCESSORIES
MARINE COMPONENTS
HARDWARE & ACCESSORIES
AGRICULTURAL COMPONENTS
PAINT & LUBRICANTS
LIGHTS & ELECTRICAL
PACKAGED PRODUCTS

FUSES AND FUSE HOLDERS

PART #	DESCRIPTION
SFE-14	14 Amp Fuse, Glass Type, Round
SFE-30	30 Amp Fuse, Glass Type, Round
FH-ATC	Fuse Holder, Blade Type
FH-20	Fuse Holder, For Glass Type, w/20 Amp Fuse
11010	5 Amp Fuse, AGC Glass Type
11012	10 Amp Fuse, AGC Glass Type
11013	15 Amp Fuse, AGC Glass Type
11014	20 Amp Fuse, AGC Glass Type
11015	25 Amp Fuse, AGC Glass Type
ATC-10	10 Amp Fuse, Blade Type
ATC-15	15 Amp Fuse, Blade Type
ATC-20	20 Amp Fuse, Blade Type
ATC-25	25 Amp Fuse, Blade Type
ATC-30	30 Amp Fuse, Blade Type
MIN5	5 Amp Mini Fuse, Blade Type, Tan
MIN10	10 Amp Mini Fuse, Blade Type, Red
MIN15	15 Amp Mini Fuse, Blade Type, Blue
MIN20	20 Amp Mini Fuse, Blade Type, Yellow
MIN25	25 Amp Mini Fuse, Blade Type, Clear
MIN30	30 Amp Mini Fuse, Blade Type
ATCMINFH-X	Fuse Holder, Mini Blade (14 Ga.) 10 Pack
MAX-30	30 Amp Maxi-Blade Fuse
MAX-40	40 Amp Maxi-Blade Fuse
MAX-50	50 Amp Maxi-Blade Fuse
MAX-60	60 Amp Maxi-Blade Fuse



BUTT CONNECTORS

Butt connectors are used to connect two wires. The plastic insulation eliminates the need for tape.

PART #	DESCRIPTION	COLOR
44-2100	18-22 Gauge, Bag of 100	Red
44-2200	16-14 Gauge, Bag of 100	Blue
44-2200HS	16-14 Gauge W/Heat Shrink, Bag of 25	Blue
44-2200HS-M	16-14 Gauge W/Heat Shrink, Bag of 100	Blue
44-2300	12-10 Gauge, Bag of 100	Yellow
SBCYA	12-10 Gauge W/Heat Shrink, Bag of 100	Yellow



CIRCUIT BREAKERS

Circuit Breakers are recommended for brake controllers, battery chargers, RV, and other applications that require over current protections.

PART #	DESCRIPTION
5439	15 Amp Circuit Breaker
5440	20 Amp Circuit Breaker
5441	30 Amp Circuit Breaker
7010A	15 Amp Circuit Breaker, Self Resetting
7011A	20 Amp Circuit Breaker, Self Resetting
7012A	30 Amp Circuit Breaker, Self Resetting
7013A	40 Amp Circuit Breaker, Self Resetting

TOGGLE SWITCHES

PART #	DESCRIPTION
34-571C	12V Toggle Switch, Sealed
34-513	12V Toggle Switch, Sealed Two Position w/6" Leads
576	12V Toggle Switch, Double Pole/Double Throw, Two Position



- AXLES & COMPONENTS
- SUSPENSIONS & COMPONENTS
- BRAKES & COMPONENTS
- TIRES & WHEELS
- FENDERS & BODY
- JACKS & COUPLERS
- BRAKE CONTROL SYSTEMS
- TOWING & ACCESSORIES
- MARINE COMPONENTS
- HARDWARE & ACCESSORIES
- AGRICULTURAL COMPONENTS
- PAINT & LUBRICANTS
- LIGHTS & ELECTRICAL
- PACKAGED PRODUCTS

RING TERMINALS

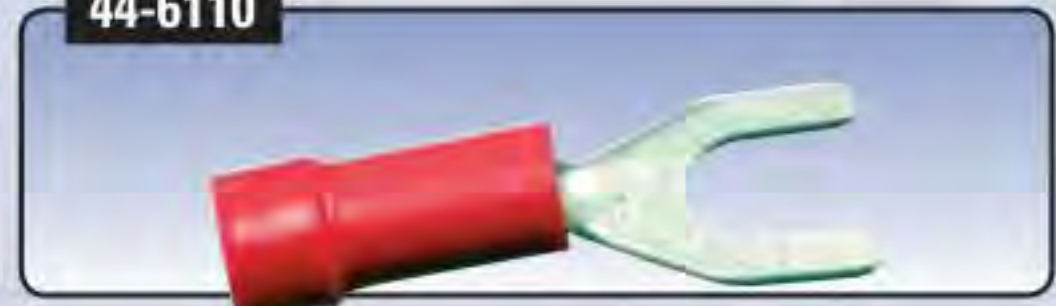
Ring terminals are used for fastening wires to studs. The plastic insulation eliminates the need for tape.

PART #	DESCRIPTION	STUD SIZE	COLOR
44-5210	16-14 Gauge, Bag of 100	#10	Blue
44-5220	16-14 Gauge, Bag of 100	.25"	Blue
44-5220HS	16-14 Gauge w/Heat Shrink, Bag of 100	.25"	Blue
44-5230	16-14 Gauge, Bag of 100	.375"	Blue
44-5310	12-10 Gauge, Bag of 100	#10	Yellow
44-5320	12-10 Gauge, Bag of 100	.3125"	Yellow
44-5338	12-10 Gauge, Bag of 100	.25"	Yellow
44-5338HS	12-10 Gauge w/Heat Shrink, Bag of 100	.25"	Yellow
44-5356	12-10 Gauge, Bag of 100	.375"	Yellow

44-5210



44-6110



SPADE TERMINALS

Spade terminals are used for fastening wires to studs. The plastic insulation eliminates the need for tape.

PART #	DESCRIPTION	STUD SIZE	COLOR
44-6110	22-16 Gauge, Bag of 100	#10	Red
44-6210	16-14 Gauge, Bag of 100	#10	Blue

44-9200



.250 QUICK CONNECTS

Male and female spade connectors enable fast connection and disconnection. Simply crimp on to the wires and plug them into each other.

PART #	DESCRIPTION	TYPE	COLOR
44-9200	16-14 Gauge, Bag of 100	Female	Blue
44-9210	16-14 Gauge, Bag of 100	Male	Blue
44-9350	16-14 Gauge, Bag of 100	Piggyback Connector	Blue
44-9520	16-14 Gauge, Bag of 100	T-tap	Blue
44-9300	12-10 Gauge, Bag of 100	Female	Yellow
44-9310	12-10 Gauge, Bag of 100	Male	Yellow

44-9350



44-9520



QUICK SPLICES

Quick Splices make wiring jobs easier by allowing you to tap into wires without cutting and splicing. Sold as each.

PART #	DESCRIPTION
560	18-14 Gauge w/stop
562	12-10 Gauge w/stop
564	18-14 Gauge w/o stop
804	18-14 Gauge w/stop & Corrosion Resistant Gel

564



804



TERMINAL KIT

Our Terminal Kit contains twenty of the most popular terminals and one pair of terminal pliers. The pliers can be used for crimping, cutting, or stripping. It comes in a heavy-duty carrying case.



PART #	DESCRIPTION
TK100	Terminal kit With Crimpers

Contents of terminal kit

ITEM	WIRE SIZE	STUD SIZE	QTY.	ITEM	WIRE SIZE	STUD SIZE	QTY.
Ring Terminal	22-16	#10	30	Quick Splice	18-14	N/A	15
Ring Terminal	16-14	#8	30	Butt Connector	22-16	N/A	30
Ring Terminal	16-14	#10	30	Butt Connector	16-14	N/A	30
Ring Terminal	16-14	#1/4	15	Butt Connector	10-12	N/A	20
Ring Terminal	10-12	#10	15	Push-On Spade, Female	18-14	#1/4	30
Ring Terminal	10-12	#1/4	15	Push-On Spade, Male	18-14	#1/4	25
Ring Terminal	10-12	#5/16	15	Bullet, Female	16-14	Std.	15
Ring Terminal	10-12	#3/8	15	Bullet, Male	16-14	Std.	25
Spade Terminal	16-14	#10	30	Insulated Spade, Female	16-14	#1/4	15
Spade Terminal	10-12	#10	15	Insulated Spade, Male	16-14	#1/4	15

WIRE NUTS

PART #	DESCRIPTION
WN-212	18-10 Gauge, Bag of 100
WNHY	14 Gauge, Bag of 100

WN-212



TERMINAL PLIERS

General purpose pliers are for cutting, crimping and stripping wire. Strips wire 10-22 gauge and crimps terminals 10-22 gauge.

PART #	DESCRIPTION
TP-1	Heavy Duty, General Purpose Crimping Pliers



CIRCUIT TESTERS

Circuit testers make installation of connectors possible without having the trailer attached.

PART #	DESCRIPTION
48655	4-Way Flat Plug w/Led Indicators
25600	Quickee Circuit Tester, Self Piercing
CT-1	Probe Circuit Tester
4CT	4-Way Flat Plug
7CT	7-Way Round Plug
I-505	5-Way Flat Plug w/LED Indicators
I-65	6-Way Round Plug w/LED Indicators
I-27	7-Way Round R.V. Style Plug w/LED Indicators
8010	Total Trailer Test System Including Brake Control Tester
W2979	Crcuit Tester Cordless, 3v - 28v



ELECTRICAL TAPE

Flame retardant and weather resistant, this electrical tape is .75" wide, comes in a 60' roll and is UL approved.

PART #	DESCRIPTION
5170	Electrical Tape, 60' Roll



Brush-On

PART #	DESCRIPTION
49412	Electrical Tape, Brush-on, 4 oz.

CONVOLUTED LOOM

Convoluted loom holds wires in position and provides excellent protection against crushing and corrosion. The loom is split for easy wire insertion. Available by the foot or in various length rolls, check with local branch for availability.

PART #	DESCRIPTION
PCL-14	.250" ID Black, Split, Flexible
PCL-38	.375" ID Black, Split, Flexible
PCL-12	.500" ID Black, Split, Flexible
PCL-34	.750" ID Black, Split, Flexible
PCL-1	1.00" ID Black, Split, Flexible

PCL-38



METAL LOOM CLAMPS

PART #	DESCRIPTION
10845	Wire Loom Clamp, Rubber Coated .385" I.D.
10847	Wire Loom Clamp, Rubber Coated .500" I.D.
10849	Wire Loom Clamp, Rubber Coated .750" I.D.

10845



FRAME CLIPS

Frame clips are used to secure one or more wires to the frame or flat/panel surfaces. They are made of spring steel with a hard black enamel finish.

PART #	DESCRIPTION
5311	.25 I.D., Bag of 100
FC14-X	.25 I.D., Bag of 10
5310	.375 I.D., Bag of 100
FC38-X	.375 I.D., Bag of 10

5311



NYLON LOOM CLAMPS

Wire loom clamp is used to mount wire looms to the frame or to any flat panel surface. We offer nylon and metal loom clamps. 100 per package.

PART #	DESCRIPTION
2006	Nylon Loom Clamp, .250" I.D.
784	Nylon Loom Clamp, .385" I.D.

2006



NYLON CABLE TIES

Nylon cable ties can be used for securing trailer wiring to the frame and many other applications. 100 per package.

PART #	DESCRIPTION
1182	6" White
1183	8" White
1189	14" White
1193	30" White, Heavy Duty
10940	7" White w/.5" Mounting Hole

1182



WIRE GROMMETS

Wire grommets are for use where wiring passes through frame members and side panels. It protects the wire jacket from rough edges and eliminates "shorts." 100 per package.

PART #	ID	MOUNTING HOLE
WG18	.125"	.1875"
WG38	.375"	.50"
WG34	.750"	1"

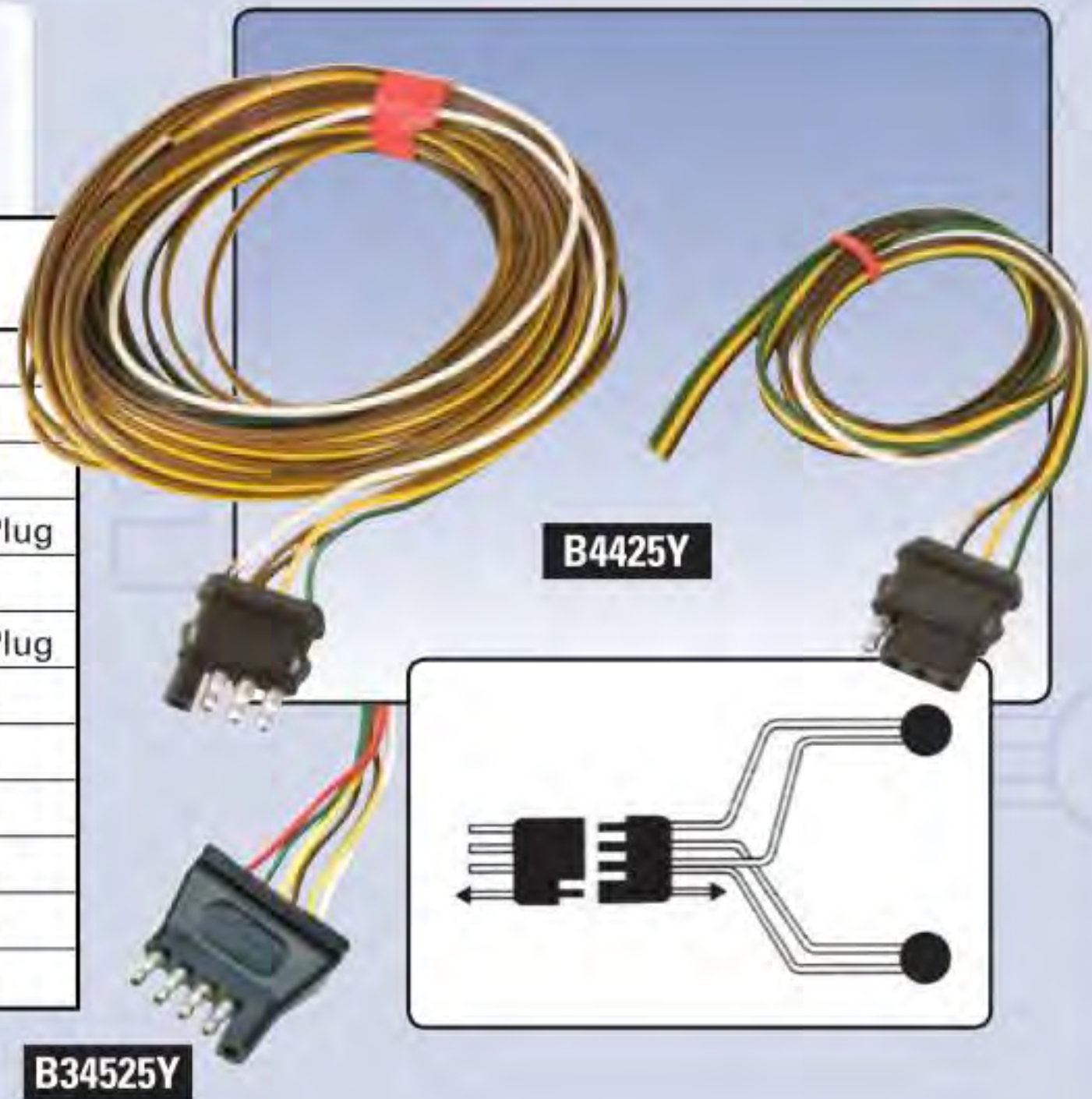
WG18



BONDED FLAT TRAILER WIRING HARNESSES

Wiring harnesses includes a trailer plug and a 4 or 5 conductor harness split at the trailer tongue that runs down each side of the frame. They use polarized flat connectors and color coded wires to meet SAE specifications.

PART #	DESCRIPTION
B3415Y	15' Wiring Harness - Trailer End, 4 Way Plug
B3420Y	20' Wiring Harness - Trailer End, 4 Way Plug
B3425Y	25' Wiring Harness - Trailer End, 4 Way Plug
B4425Y	25' Wiring Harness - Trailer & Truck End, 4 Way Plug
B3430Y	30' Wiring Harness - Trailer End, 4 Way Plug
B4430Y	30' Wiring Harness - Trailer & Truck End, 4 Way Plug
B3435Y	35' Wiring Harness - Trailer End, 4 Way Plug
B3440Y	40' Wiring Harness - Trailer End, 4 Way Plug
B34525Y	25' Wiring Harness - Trailer End, 5 Way Plug
51710-30	30' Wiring Harness - Trailer End, 5 Way Plug
002290	40' Wiring Harness - Trailer End, 5 Way Plug
51710-50	50' Wiring Harness - Trailer End, 5 Way Plug



MOLDED ROUND TRAILER WIRING HARNESSES

Molded harnesses make a difficult job simple. Wires and terminals are encapsulated in the molded connector for a weather-tight, non corrosive assembly. Available for trailers or tow vehicles.

PART #	CONNECTOR	LENGTH	GAUGE
5061104	6-Way Plug - Trailer End	4'	14
5061106	6-Way Plug - Trailer End	6'	14
5061108	6-Way Plug - Trailer End	8'	14
5067001	7-Way Plug - Trailer End	6'	(4)14 (1)12 (2)10
5067003	7-Way Plug - Trailer End	8'	(4)14 (1)12 (2)10
5067004	7-Way Plug - Trailer End	9'	(4)14 (1)12 (2)10
5068004	6-Way Socket - Truck End	4'	14
5068007	6-Way Socket - Truck End	7'	14
5078004	7-Way Socket - Truck End	4'	(4)14 (1)12 (2)10
5078007	7-Way Socket - Truck End	7'	(4)14 (1)12 (2)10



DIALECTRIC GREASE

Moisture proof seal for automotive, marine and electrical systems. For battery cables, posts and terminals, light bulb sockets, trailer hitch and all other types of electrical connectors. Complies with FDA Regulation 21 CFR178.3570.

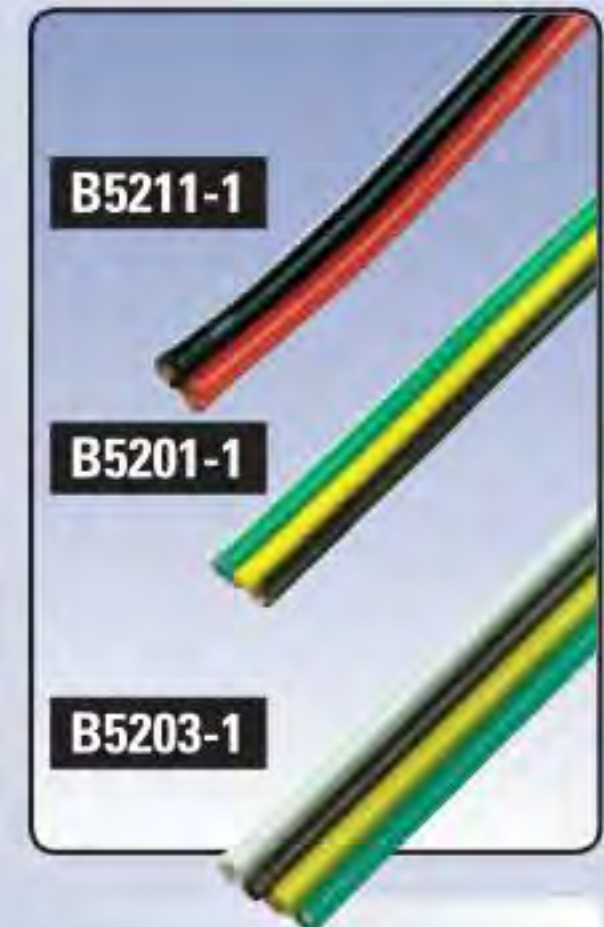
PART #	DESCRIPTION
49635	Dialectric Grease 5 oz.



BONDED FLAT PARALLEL PRIMARY WIRE

Two, three or four parallel conductors bonded together in a ribbon configuration. Each conductor is independently color coded for easy use and identification.

PART # 100' ROLL	PART # 500' ROLL	PART # 1,000' ROLL	PART # 2,500' ROLL	GAUGE	CONDUCTORS	COLORS
B5201-1	B5201-5	n/a	B5201-25	18 Ga.	3	Yellow, Brown, Green
B5211-1	B5211-5	n/a	n/a	16 Ga.	2	Red, Black
B5202-1	B5202-5	n/a	B5202-25	16 Ga.	3	Yellow, Brown, Green
B5203-1	B5203-5	B5203-10	n/a	16 Ga.	4	Yellow, Brown, Green, White
n/a	5226-5	n/a	5226-25	14 Ga.	2	Red, Black



JACKETED DUPLEX BRAKE WIRE

Jacketed duplex brake wire is made with two plastic insulated primary wires laid parallel and covered with a high quality plastic jacket. It has an oblong configuration and provides a compact cable and protects the insulated conductors. The wires are color coded for easy identification.

PART # 100' ROLL	PART # 500' ROLL	PART # 1,000' ROLL	PART # 2,500' ROLL	GAUGE	CONDUCTORS	COLORS
n/a	5222-5	n/a	n/a	16 Ga.	2	White, Black
5221-1	5221-5	5221-10	5221-25	14 Ga.	2	White, Black
n/a	5223-5	n/a	n/a	12 Ga.	2	White, Black



JACKETED TRAILER CABLE

Jacketed trailer cable meets SAE and ATA specifications. The multi-conductor stranded copper wire is flexible even though each conductor is insulated in a heavy vinyl covering. The entire cable is vinyl jacketed for further protection against grease, oil, abrasion and weather. Sold by the foot or 100 foot roll.

PART #		CONDUCTORS	GAUGE	COLORS
PER FOOT	100 FT. ROLL			
5206	5206-1	4	14 Ga.	Yellow/Green/Brown/Red
5204	5204-1	4	16 Ga.	Yellow/Green/Brown/Red
5220	5220-1	6	14 Ga.	Black/Red/Blue/Green/Yellow/Brown
5205	5205-1	6	16 Ga.	Black/Red/Blue/Green/Yellow/Brown
97771	n/a	7	(1) 10 Ga., (6) 12 Ga.	10 Ga-White, 12 Ga-Yellow/Red/Green/Brown/Blue/Brown
04908	n/a	7	14 Ga.	White/Yellow/Red/Green/Brown/Blue/Brown

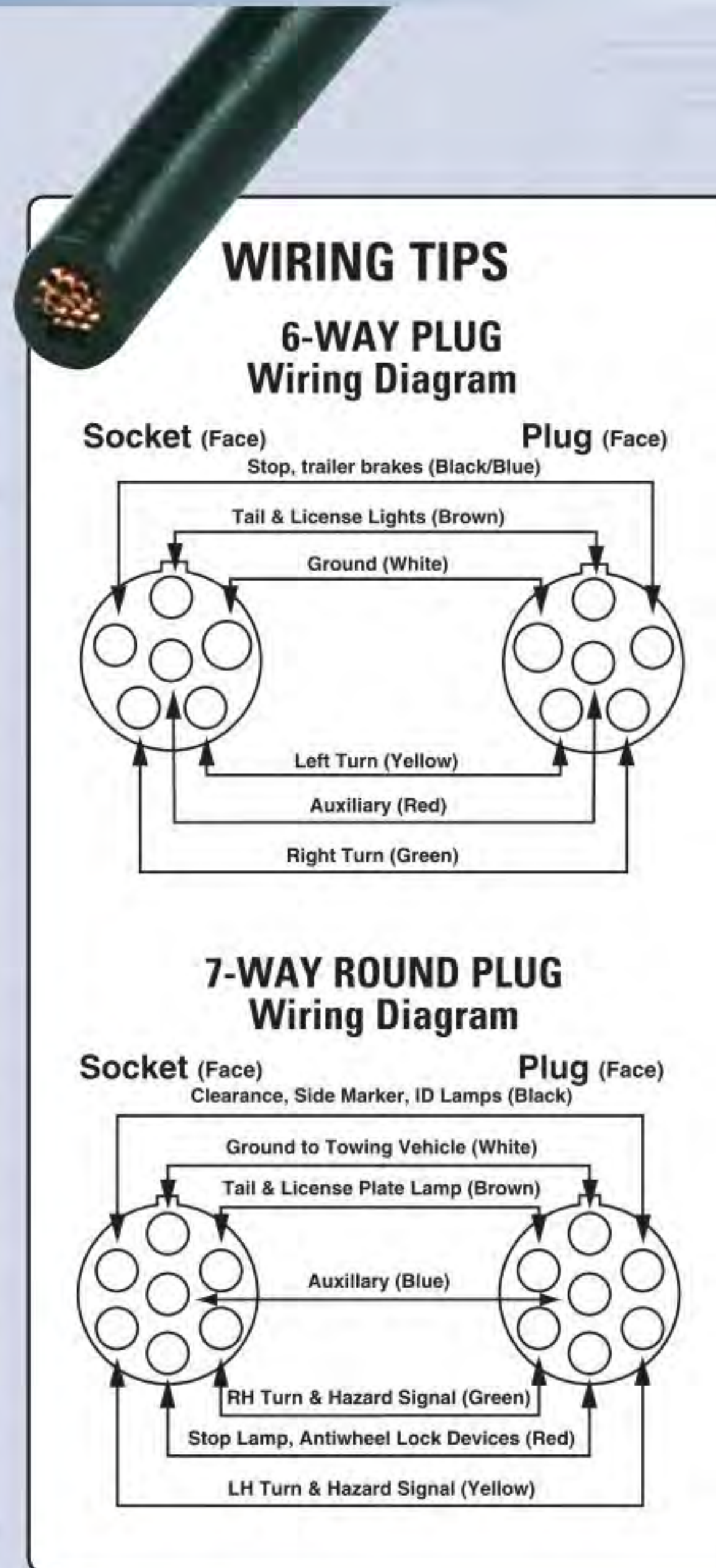


FRACTION	1/16	1/8	3/16	1/4	5/16	3/8	7/16	1/2	9/16	5/8	11/16	3/4	13/16	7/8	15/16
DECIMAL	.0625	.1250	.1875	.2500	.3125	.3750	.4375	.5000	.5625	.6250	.6875	.7500	.8125	.8750	.9375

GENERAL PURPOSE WIRE

General purpose wire is widely used in the trailer and automotive industry. It is coated with plastic insulation and is resistant to chemicals. It is available in several colors, gauges and roll sizes.

PART # 100' ROLL	PART # 500' ROLL	PART # 2,500' ROLL	GAUGE	COLORS
5212-1B	5212-5B	n/a	18 Ga.	Blue
5212-1BK	5212-5BK	n/a	18 Ga.	Black
5212-1BR	5212-5BR	n/a	18 Ga.	Brown
5212-1G	5212-5G	n/a	18 Ga.	Green
5212-1W	5212-5W	n/a	18 Ga.	White
5212-1Y	5212-5Y	n/a	18 Ga.	Yellow
5210-1BL	5210-5BL	5210-25B	16 Ga.	Blue
5210-1BK	5210-5BK	5210-25BK	16 Ga.	Black
5210-1BR	5210-5BR	5210-25BR	16 Ga.	Brown
5210-1G	5210-5G	5210-25G	16 Ga.	Green
5210-1R	5210-5R	5210-25R	16 Ga.	Red
5210-1W	5210-5W	5210-25W	16 Ga.	White
5210-1Y	5210-5Y	5210-25Y	16 Ga.	Yellow
5211-1B	5211-5BL	n/a	14 Ga.	Blue
5211-1BK	5211-5BK	n/a	14 Ga.	Black
5211-1BR	5211-5BR	n/a	14 Ga.	Brown
5211-1G	5211-5G	n/a	14 Ga.	Green
5211-1R	5211-5R	n/a	14 Ga.	Red
5211-1W	5211-5W	n/a	14 Ga.	White
5211-1Y	5211-5Y	n/a	14 Ga.	Yellow
5209-1B	5209-5B	n/a	12 Ga.	Blue
5209-1BK	5209-5BK	n/a	12 Ga.	Black
5209-1R	5209-5R	n/a	12 Ga.	Red
5209-1W	5209-5W	n/a	12 Ga.	White
5208-1B	n/a	n/a	10 Ga.	Blue
5208-1BK	n/a	n/a	10 Ga.	Black
5208-1R	n/a	n/a	10 Ga.	Red
5208-1W	n/a	n/a	10 Ga.	White



JUNCTION BOXES

Junction Boxes provide a fast, simple, and weather resistant way of connecting wires from the connector to the trailer wiring.

PART #	DESCRIPTION
5010170	7-Way With 4 .625" Open And 4 Closed Grommets



AXLES & COMPONENTS

SUSPENSIONS & COMPONENTS

BRAKES & COMPONENTS

TIRES & WHEELS

FENDERS & BODY

JACKS & COUPLERS

BRAKE CONTROL SYSTEMS

TOWING & ACCESSORIES

MARINE COMPONENTS

HARDWARE & ACCESSORIES

AGRICULTURAL COMPONENTS

PAINT & LUBRICANTS

LIGHTS & ELECTRICAL

PACKAGED PRODUCTS

4 AND 5 POLE TRAILER CONNECTORS

Connect your trailer lights with these 4 and 5 pole trailer connectors.

PART #	DESCRIPTION	STYLE
5410	4 Pole Connector Plug And Socket, w/12" Wire - Trailer & Truck End	Flat
5410-P	4 Pole Connector Plug, w/48" Wire - Trailer End	Flat
5410-S	4 Pole Connector Socket, w/48" Wire - Truck End	Flat
7255	5 Pole Connector Plug And Socket, w/24" Wire - Trailer & Truck End	Flat
5510-P	5 Pole Connector Plug, w/48" Wire - Trailer End	Flat
5510-S	5 Pole Connector Socket, w/72" Wire - Truck End	Flat
47915	5 Pole Connector Plug, w/18" Wire - Trailer End	Flat
47905	5 Pole Connector Socket, w/60" Wire - Truck End	Flat
5410-RP	4 Pole Connector Plug - Trailer End	Round
5410-RS	4 Pole Connector Socket - Truck End	Round
5410-RPHD	4 Pole Connector Plug, Heavy Duty - Trailer End	Round
5410-RSHD	4 Pole Connector Socket, Heavy Duty - Truck End	Round
11-502	5 Pole Connector Socket - Truck End	Round



6 POLE ROUND TRAILER CONNECTORS

Connect your trailer lights and brakes with 6 pole round trailer connectors. Includes a stainless steel cover spring to help prevent water and rust damage.

PART #	DESCRIPTION	STYLE
5401-P	6 Pole Connector Plug - Trailer End	Round
5403-P	6 Pole Connector Plug, Pollak - Trailer End	Round
11-605	6 Pole Connector Plug, Pollak - Trailer End With Cable Guard	Round
47995	6 Pole Plug And Socket w/24" Lead	Square
5402-S	6 Pole Connector Socket - Truck End	Round
5405-S	6 Pole Connector Socket, Pollak - Truck End	Round



7 POLE ROUND TRAILER CONNECTORS

7 Pole connectors are commonly used on semi-trailers, campers and RVs.

PART #	DESCRIPTION	STYLE
5406-P	7 Pole Connector Plug - Trailer End	RV, Blade Type
5406-RP	7 Pole Connector Plug - Trailer End	Round Prong
5077003	7 Pole Connector Plug - Trailer End	RV, Blade Type, Plastic
12-706	7 Pole Connector Plug - Trailer End, Pollak	RV, Blade Type, Plastic
48505	7 Pole Connector Plug - Trailer End, Packaged	RV, Blade Type, Plastic
5407-S	7 Pole Connector Socket - Truck End	RV, Blade Type
5407-RS	7 Pole Connector Socket - Truck End	Round Prong
5077001	7 Pole Connector Socket - Truck End	RV, Blade Type, Plastic
12-707	7 Pole Connector Socket - Truck End, Pollak	RV, Blade Type, Plastic



AXLES & COMPONENTS

SUSPENSIONS & COMPONENTS

BRAKES & COMPONENTS

TIRES & WHEELS

FENDERS & BODY

JACKS & COUPLERS

BRAKE CONTROL SYSTEMS

TOWING & ACCESSORIES

MARINE COMPONENTS

HARDWARE & ACCESSORIES

AGRICULTURAL COMPONENTS

PAINT & LUBRICANTS

LIGHTS & ELECTRICAL

PACKAGED PRODUCTS

CONNECTOR MOUNTING BRACKETS

PART #	DESCRIPTION
11-617	Zinc Plated Bracket For 6-Way Sockets
11-771	Zinc Plated Bracket For 7-Way Round Prong Sockets
12-701	Zinc Plated Bracket For 7-Way RV Socket
5077071	Black Bracket For 7-Way RV Sockets
48615	Black Bracket For 7-Way RV Sockets , Packaged



TRAILER CONNECTOR ADAPTERS

Trailer connector adapters are available for converting different styles of plugs and receptacles. No other wiring or installation is necessary.

PART #	DESCRIPTION
TCA-624	6-Way Round Receptacle To Flat 4-Way Plug
TCA-624LED	6-Way Round Receptacle To Flat 4-Way Plug w/Led Circuit Tester
TCA-724	7-Way Blade-Type Receptacle To 4-Way Plug
TCA-724PN	7-Way Round Pin Receptacle To Flat 4-Way Plug
TCA-724LED	7-Way Blade-Type Receptacle To Flat 4-Way Plug w/Led Circuit Tester
TCA-725	7-Way Blade-Type Receptacle To 5-Way Plug
7257	7-Way Blade-Type Receptacle To 5-Way Plug w/Flexible Lead, Packaged
TCA-726	7-Way Blade-Type Receptacle To 6-Way Plug
TCA-7264	7-Way Blade-Type Receptacle To 6-Way Round And 4-Way Flat Plug
TCA-727FL	7-Way Blade-Type Receptacle To 7-Way Round Pin Plug, w/ Flexible Lead
47575	7-Way Blade-Type Receptacle To 6-Way Round And 4-Way Flat Plug Switchable Center Pin



PLUG HOLDER

Plug holder designed to house 6-way or 7-way trailer end connector. Black molded plastic holder mounts on the jack post with provided cable-ties or the attached adhesive strip and can be mounted on any flat surface with provided screws.

PART #	DESCRIPTION
PS2	6-Way And 7-Way Plug Holder



FRACTION TO DECIMAL CONVERSION CHART															
FRACTION	1/16	1/8	3/16	1/4	5/16	3/8	7/16	1/2	9/16	5/8	11/16	3/4	13/16	7/8	15/16
DECIMAL	.0625	.1250	.1875	.2500	.3125	.3750	.4375	.5000	.5625	.6250	.6875	.7500	.8125	.8750	.9375

LIGHTING REQUIREMENTS

Basic Equipment Required on all Trailers

AREA	DESCRIPTION			MANDATORY REQUIREMENTS			
	EQUIPMENT	SAE LENS CODING	FUNCTIONAL PURPOSE	QUANTITY	COLOR	LOCATION	HEIGHT IN. (MM) FROM THE GROUND
1	Tail Lamps	(T)	Indicate vehicle's presence and width	minimum 2	Red	Rear - symmetrical as far as practicable	15-72 (380-1830)
	Stop Lamps	(S)	Indicate braking presence and width	Minimum 2	Red	Rear - symmetrical as far as practicable	15-72 (380-1830)
	Rear Turn Signal Lamps	(I)	Indicate direction of turn	Minimum 2	Red or Yellow	Rear - symmetrical as far as practicable	15-63 (380-2110)
	Rear Reflex Reflectors	(A)	Indicate vehicle's presence and width	Minimum 2	Red	Rear - symmetrical as far as practicable facing rearward	15-60 (380-1530)
2	License Plate Lamp(s)	(L)	Illuminates license plate	Minimum 1	White	Rear - above or at the sides of license plate	No requirement
3	Rear Side Marker Lamps	(P2 or PC*)	Indicate vehicle's presence and length	Minimum 2	Red	Each side at rear as far back as practicable under 80" (2.032m) wide	15 - 60 (380 - 1530) no max. for veh.
	Rear Side Reflex Reflectors	(A)	Indicate vehicle's presence and length	Minimum 2	Red	Each side at rear as far back as practicable facing sideward	15 - 60 (380 - 1530)
4	Front Side Marker Lamps	(P2 or PC*)	Indicate vehicle's presence and length	Minimum 2	Yellow	Each side at front as far back as practicable	15 (380) min.
	Front Side Reflex Reflectors	(A)	Indicate vehicle's presence and length	Minimum 2	Yellow	Each side at front as far back as practicable facing sideward	15 - 60 (380 - 1530)

Additional Equipment For Trailers Exceeding The Following Parameters

Length 30 ft. (9.1m) or longer

5	Intermediate Side Marker Lamps	(P2)	Indicate presence of a long vehicle	Minimum 2	Yellow	Each side near center facing sideward	15 (380) minimum
	Intermediate Side Reflex Reflectors	(A)	Indicate presence of a long vehicle	Minimum 2	Yellow	Each side near center facing sideward	15 - 60 (380 - 1530)

Width 80 in. (2.032m) or wider

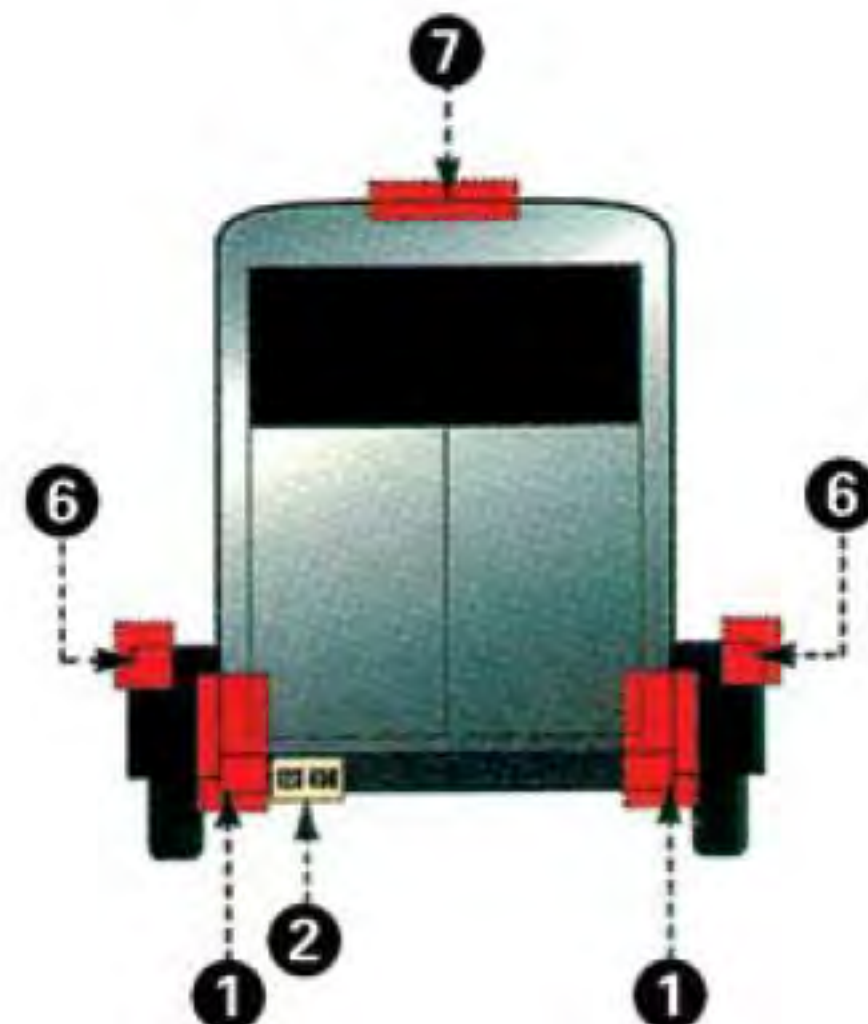
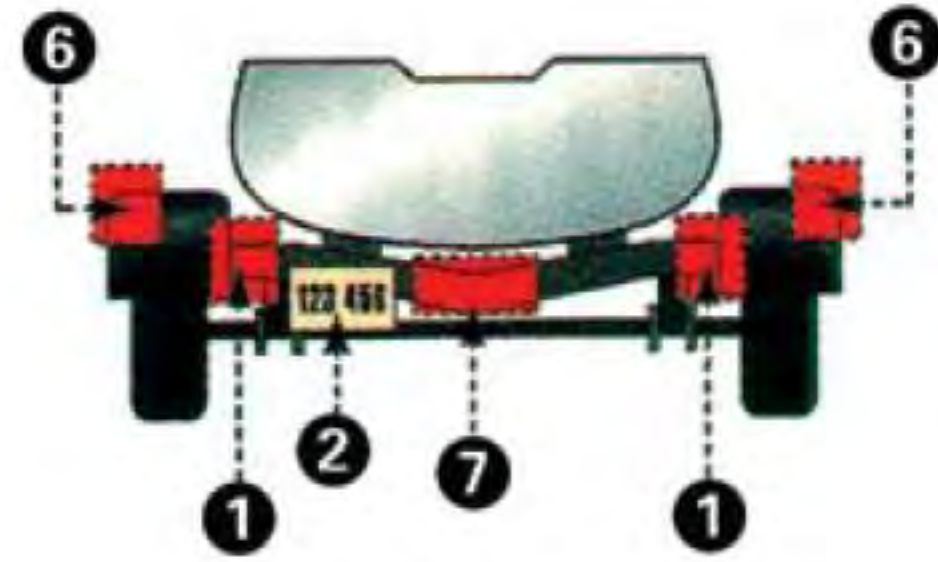
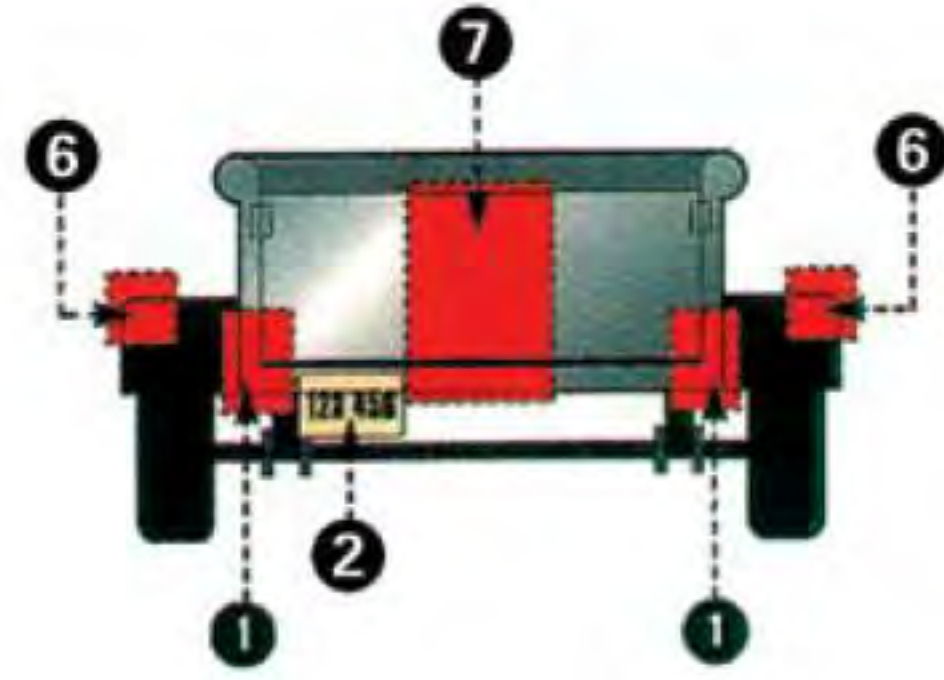
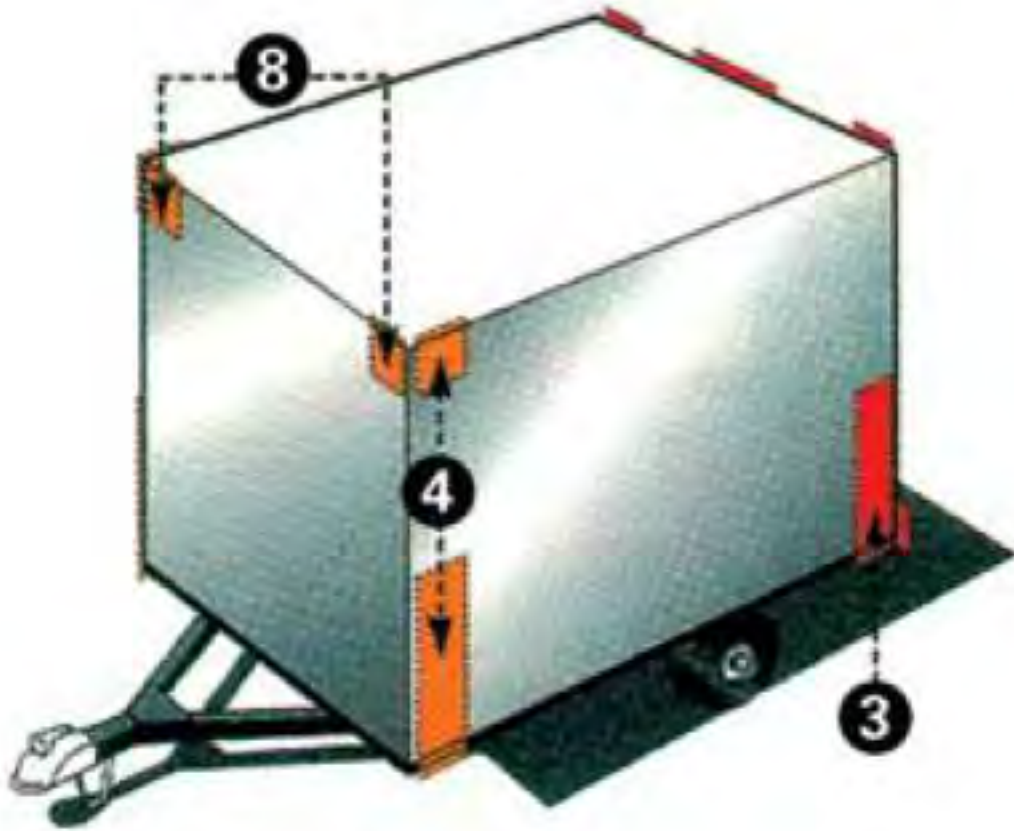
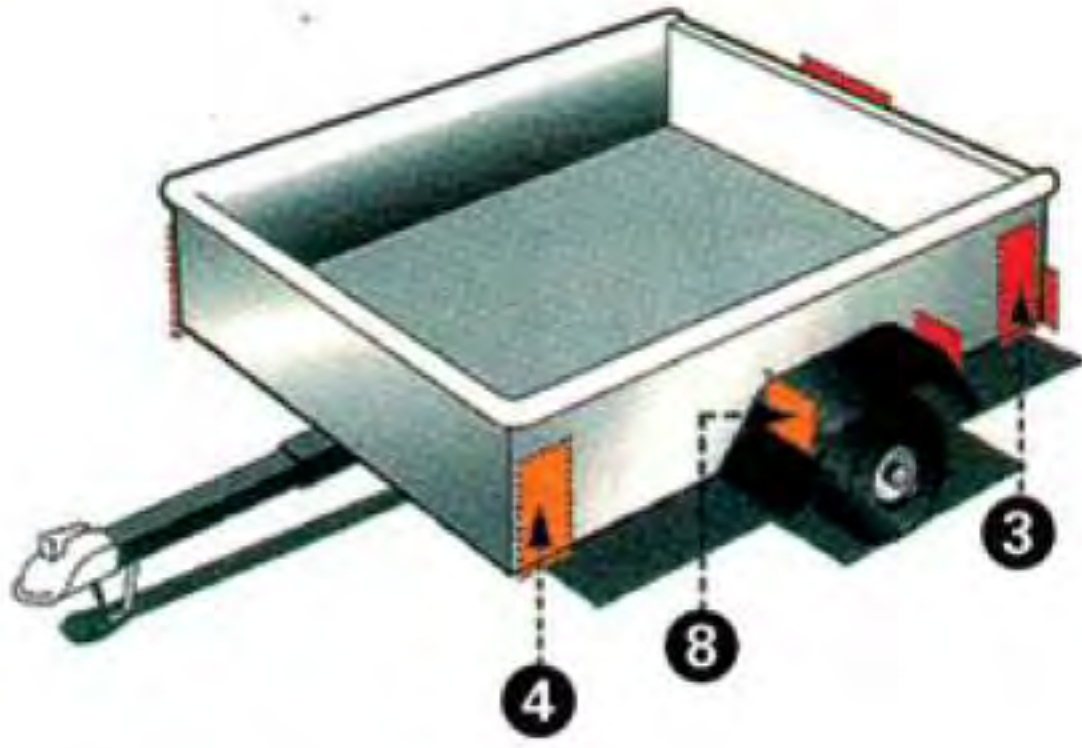
AREA	EQUIPMENT	SAE LENS CODING	FUNCTIONAL PURPOSE	QUANTITY	COLOR	LOCATION	HEIGHT
6	Rear Clearance Lamps	(P2 or PC*)	Show vehicle's width MAY NOT be combined with tail lights	Minimum 2	Red	At widest point - symmetrical as far back as practicable facing rearward	As high as practicable may be lower if ID lamps are at the top
7	Rear Identification (ID) Lamps	(P2)	Indicate presence of a wide vehicle	Exactly 3	Red	Rear - horizontally spaced 6 in. (150mm) to 12 in. (300mm) apart centered - facing rearward	In Canada: at the top - may be lower if door header narrower than 25mm In USA: as high as practicable
8	Front Clearance Lamps	(P2 or PC*)	Show vehicle's width	Minimum 2	Yellow	At widest point - symmetrical as far forward as practicable facing forward	As high as practicable

Width 80 in. (2.032m) or wider and GVWR 10,000 lb. (4536 kg) or more

AREA	CONSPICUITY TREATMENT	DOT CODING	OPTIONS	QUANTITY	COLOR	LOCATION	HEIGHT
9	Rear Upper Body Markings	(DOT-C, -C2, -C3, -C4)	Reflex reflectors may not be required if they are replaced with conspicuity treatment.	Exactly 2 pairs	White	Rear upper corners facing forward	At the top
10	Bumper Bar Marking	(DOT-C, -C2, -C3, -C4)		Continuous	Red/White	Rear bumper bar's horizontal element full width - facing rearward	No requirement
11	Rear Lower Body Marking	(DOT-C, -C2, -C3, -C4)	OPTIONAL IN CANADA: Rear lower body and side conspicuity treatment may also be solid white, solid yellow, or white and yellow.	Continuous	Red/White (see options)	Rear - not on bumper bar full width of the vehicle facing rearward	As horizontal as practicable and as close as practicable to the range of 15 to 60 in. (375 to 1525 mm) from the ground
12	Side Marking	(DOT-C, -C2, -C3, -C4)		See location	Red/White (see options)	Each side - facing sideward continuous, or evenly spaced over minimum of 50% of length, starts and ends at the extremes of the vehicle	As horizontal as practicable and as close as practicable to the range of 15 to 60 in. (375 to 1525 mm) from the ground

NOTE: This is intended as a guide only, please check your local regulations.

AXLES & COMPONENTS
SUSPENSIONS & COMPONENTS
BRAKES & COMPONENTS
TIRES & WHEELS
FENDERS & BODY
JACKS & COUPLERS
BRAKE CONTROL SYSTEMS
TOWING & ACCESSORIES
MARINE COMPONENTS
HARDWARE & ACCESSORIES
AGRICULTURAL COMPONENTS
PAINT & LUBRICANTS
LIGHTS & ELECTRICAL
PACKAGED PRODUCTS



AXLES & COMPONENTS

SUSPENSIONS & COMPONENTS

BRAKES & COMPONENTS

TIRES & WHEELS

FENDERS & BODY

JACKS & COUPLERS

BRAKE CONTROL SYSTEMS

TOWING & ACCESSORIES

MARINE COMPONENTS

HARDWARE & ACCESSORIES

AGRICULTURAL COMPONENTS

PAINT & LUBRICANTS

LIGHTS & ELECTRICAL

PACKAGED PRODUCTS

- AXLES & COMPONENTS
- SUSPENSIONS & COMPONENTS
- BRAKES & COMPONENTS
- TIRES & WHEELS
- FENDERS & BODY
- JACKS & COUPLERS
- BRAKE CONTROL SYSTEMS
- TOWING & ACCESSORIES
- MARINE COMPONENTS
- HARDWARE & ACCESSORIES
- AGRICULTURAL COMPONENTS
- PAINT & LUBRICANTS
- LIGHTS & ELECTRICAL**
- PACKAGED PRODUCTS

