



# JACKS & COUPLERS

AXLES & COMPONENTS

SUSPENSIONS & COMPONENTS

BRAKES & COMPONENTS

TIRES & WHEELS

FENDERS & BODY

**JACKS & COUPLERS**

BRAKE CONTROL SYSTEMS

TOWING & ACCESSORIES

MARINE COMPONENTS

HARDWARE & ACCESSORIES

AGRICULTURAL COMPONENTS

PAINT & LUBRICANTS

LIGHTS & ELECTRICAL

PACKAGED PRODUCTS



A-Frame & Swivel Jacks . . . . . F-2 - F-7



Drop Leg & H.D. Jacks, Landing Gear . . . . . F-8 - F-11



Rack Post, Stabilizer, & Electric Jacks . . . . . F-12 - F-13



Straight, A-Frame & Adjustable Couplers . . . . . F-14 - F-18



Gooseneck Couplers . . . . . F-19 - F-20

Gooseneck & Kingpin Adapters . . . F-21 - F-22

Drawbars, Towsings & Clevises . . . F-23 - F-24



# JACKS & COUPLERS



## A-FRAME JACKS

A-frame jacks, with triangle brackets, provide easy bolt-on mounting through A-frame mounted couplers. They are available in side and topwind models. A variety of feet and caster options are available (sold separately).



PART #	CAP	LIFT	BRACKET HEIGHT		STYLE	REPLACEMENT PARTS	
			DIM. A	DIM. B		HANDLE	GEAR KIT
80009	1K	15.00"	8.625"	22.50"	Topwind	82700	81410
80000	1K	15.38"	8.62"	24.00"	Sidewind	25526	80454
80126 *	1K	10.00"	20.38"	34.12"	Sidewind	25526	80454
80401	2K	15.25"	9.00"	24.25"	Topwind	82700	80454
87510	2K	14.00"	9.12"	23.12"	Sidewind	25526	80465
81141 *	2K	15.00"	23.12"	37.12"	Sidewind	25526	80465
80391	5K	14.12"	11.00"	25.12"	Topwind	82700	80465
80380 *	5K	13.75"	21.62"	35.75"	Topwind	82700	80465

Note: Part numbers with ( \*) do not have A-frame brackets. The bracket height dimensions are overall height.



PART #	CAP	LIFT	BRACKET HEIGHT		STYLE	REPLACEMENT PARTS	
			DIM. A	DIM. B		HANDLE	GEAR KIT
6670B-DLOW	2K	15.00"	8.75"	23.75"	Topwind	6619	n/a
6670B-DL *	2K	15.00"	10.25"	23.50"			
6671B-DLOW	5K	15.00"	10.00"	25.00"			
6671B-DL *	5K	15.00"	12.25"	27.25"			

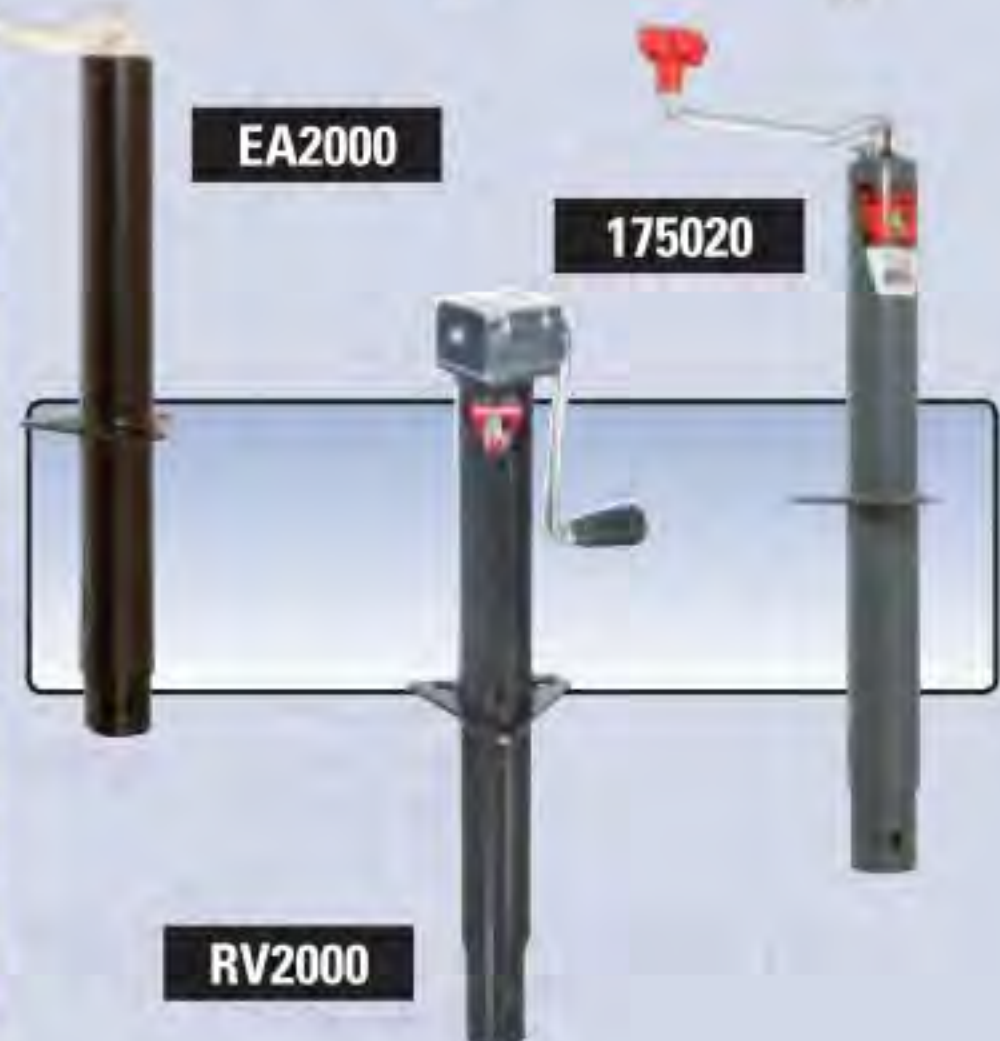
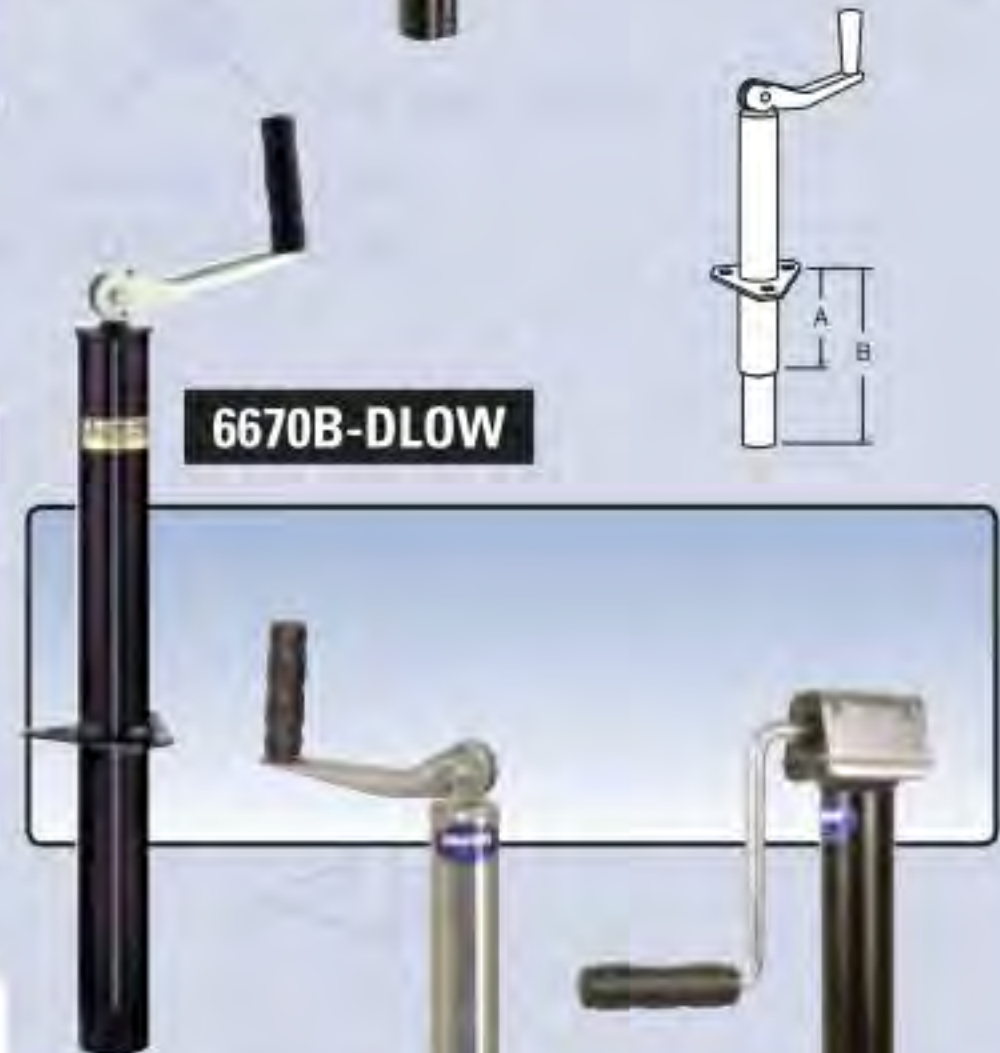
Note: Part numbers with ( \*) are supplied with support plates



PART #	CAP	LIFT	BRACKET HEIGHT		STYLE	REPLACEMENT PARTS	
			DIM. A	DIM. B		HANDLE	GEAR KIT
5792	2K	15.50"	8.50"	24.00"	Sidewind	0295-09	2125, 2126-09
5793	2K	15.00"	8.50"	19.10"	Topwind	2929-11	n/a



PART #	CAP	LIFT	BRACKET HEIGHT		STYLE	REPLACEMENT PARTS	
			DIM. A	DIM. B		HANDLE	GEAR KIT
155300	1K	15.00"	12.00"	27.00"	Topwind	018917	500251
EA2000	2K	14.00"	8.00"	22.00"	Topwind	n/a	n/a
155022	2K	15.00"	8.80"	23.80"	Topwind	018917	500251
155033	2K	15.00"	5.40"	20.40"	Topwind	018917	500251
155100	2K	15.00"	7.50"	22.50"	Topwind	018917	500251
RV2000	2K	14.00"	8.00"	22.00"	Sidewind	n/a	n/a
JA214S	2K	14.00"	8.60"	21.50"	Sidewind	500105	500106
JA314S	3K	14.00"	7.00"	20.00"	Sidewind	500105	500106
155032	5K	15.00"	10.30"	25.30"	Topwind	018917	500223
175000	5K	15.00"	12.25"	27.25"	Topwind	018917	500223
175020	5K	15.00"	10.80"	25.70"	Topwind	018917	500223
1400600	5K	15.00"	10.80"	25.80"	Topwind	n/a	n/a



## A-FRAME JACKS (Continued)



PART #	CAP	LIFT	BRACKET HEIGHT		STYLE	REPLACEMENT PARTS	
			DIM. A	DIM. B		HANDLE	GEAR KIT
JAT02-14NP	2K	14.00"	8.00"	20.00"	Topwind	TJA-2000-HD	n/a
JAT02-14Z	2K	14.00"	8.00"	20.00"	Topwind/Zinc	TJA-2000-HD	n/a
JAT02-15NP	2K	14.00"	5.00"	20.00"	Topwind	TJA-2000-HD	n/a
JAS02-14NP	2K	14.00"	8.00"	25.00"	Sidewind	TJA-2000S-HD	TJA-2000S-GR
JAT05-14NP	5K	14.00"	10.50"	22.00"	Topwind	TJA-2000-HD	n/a
JAH05-14NP	5K	15.00"	10.50"	22.00"	Topwind	TJA-2000-HD	n/a
JAH05-14Z	5K	15.00"	10.50"	22.00"	Topwind/Zinc	TJA-2000-HD	n/a



## JACK ACCESSORIES - All Include Mounting Hardware



JCU02-00EO   JCV02-02EZ   JF-99   JCV02-09EZ   JCD01-06PX   JCD01-06EX   88-00-6500

BRAND	SUPPORT PLATE	FOOT (1)	FOOT (2)	FOOT (3)	CASTER	
					POLY	STEEL
Atwood 1K	80263	80260	n/a	80261	80259	n/a
Atwood 2K	80570	82650	n/a	82660-A	80552	n/a
Dutton-Lainson	6612-DL	6614-DL	n/a	6606-DL	6613-DL	n/a
Shelby	2200-00	2998-11	n/a	n/a	2997-11	n/a
Fulton/Bulldog	3411-F	n/a	FP2000	n/a	CE555	017125
Ram	JCU02-00EO	JCV02-02EZ	JF-99	JCV02-09EZ	JCD01-06PX	JCD01-06EX
Fastaway	n/a	88-00-4500	n/a	n/a	n/a	n/a
Fastaway	n/a	88-00-6500	n/a	n/a	n/a	n/a

## ULTIMATE JACK

RDJ-2K  
No extra blocks needed, 14" of rapid adjustments with seven available height settings. Mounting bracket may be welded or bolted on.



## RETAINING RING SWIVEL JACKS

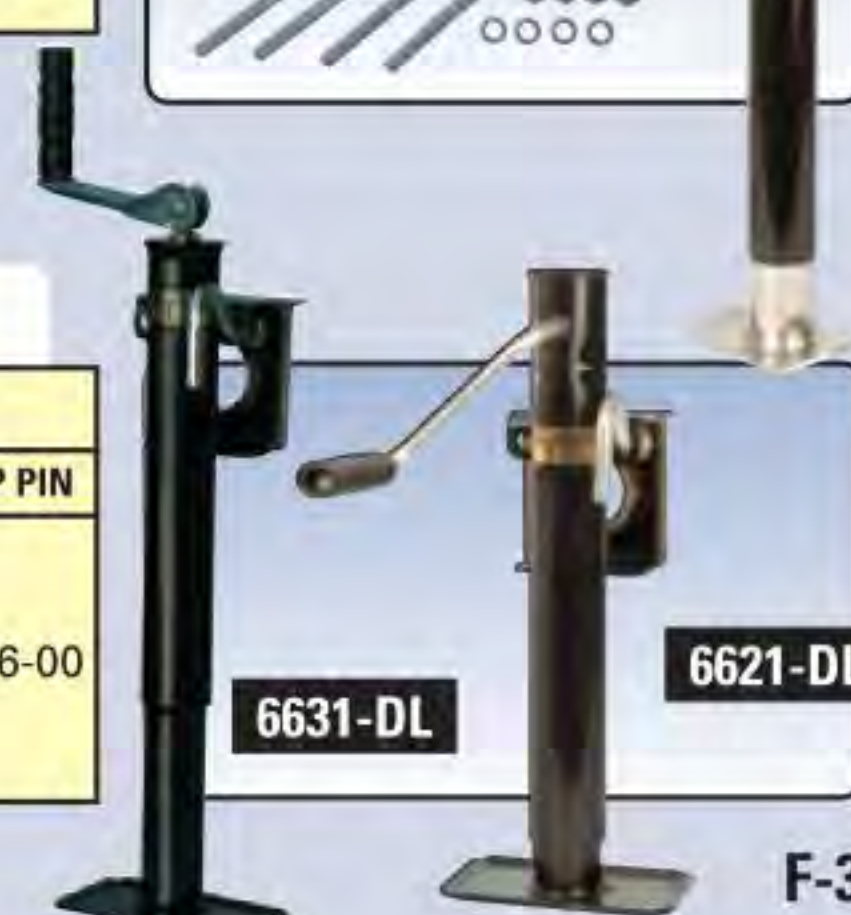


PART #	CAP	LIFT	BRACKET HEIGHT		STYLE	REPLACEMENT PARTS		
			DIM. A	DIM. B		MTG. BRKT.	HANDLE	SNAP PIN
80523	1K	10.00"	11.62"	21.75"	Topwind	87501*	82700	P9086-00
80522	1K	15.12"	14.78"	30.00"	Topwind			

Note: \* Optional bolt-on bracket, part number 87502 available for Atwood jacks.



PART #	CAP	LIFT	BRACKET HEIGHT		STYLE	REPLACEMENT PARTS		
			DIM. A	DIM. B		MTG. BRKT.	HANDLE	SNAP PIN
6631-DL	2K	10.00"	11.25"	21.25"	Topwind	6616-DL	6619-DL	P9086-00
6634-DL	2K	15.00"	15.00"	29.75"	Topwind		6619-DL	
6621-DL	2K	10.00"	15.00"	21.25"	Sidewind		6810A	
6624-DL	2K	15.00"	15.00"	29.75"	Sidewind		6810A	



AXLES & COMPONENTS

SUSPENSIONS & COMPONENTS

BRAKES & COMPONENTS

TIRES & WHEELS

FENDERS & BODY

JACKS & COUPLERS

BRAKE CONTROL SYSTEMS

TOWING & ACCESSORIES

MARINE COMPONENTS

HARDWARE & ACCESSORIES

AGRICULTURAL COMPONENTS

PAINT & LUBRICANTS

LIGHTS & ELECTRICAL

PACKAGED PRODUCTS

# JACKS & COUPLERS



## RETAINING RING SWIVEL JACKS (Continued)



PART #	CAP	LIFT	BRACKET HEIGHT		STYLE	REPLACEMENT PARTS		
			DIM. A	DIM. B		MTG. BRKT.	HANDLE	SNAP PIN
151401	2K	10.00"	11.00"	21.00"	Topwind	P9222-00	P9086-00	018917
151421	2K	15.00"	14.50"	29.50"	Topwind			018917
151101	2K	10.00"	11.00"	21.00"	Sidewind			500256
151159	2K	15.00"	14.50"	29.50"	Sidewind			500256
140114	2K	10.00"	11.00"	21.00"	Topwind			018917
140104	2K	15.00"	14.50"	29.50"	Topwind			018917
171401	5K	10.00"	11.25"	21.25"	Topwind			018917
171412	5K	15.00"	14.50"	29.50"	Topwind			018917



PART #	CAP	LIFT	BRACKET HEIGHT		STYLE	REPLACEMENT PARTS		
			DIM. A	DIM. B		MTG. BRKT.	HANDLE	SNAP PIN
JWT02-10XP	2K	10"	11.25"	21.25"	Topwind	TJB-2000-MB	TJPB-HD	SNP-RING
JWT02-10Z	2K	10"	11.25"	21.25"	Topwind/Zinc	TJB-2000-MB	TJPB-HD	SNP-RING
JWT02-15XP	2K	15"	15.00"	30.00"	Topwind	TJB-2000-MB	TJPB-HD	SNP-RING
TJB-2001S-B	2K	10"	11.25"	21.25"	Sidewind	TJB-2000-MB	TJA-2000S-HD	SNP-RING
TJB-2002S-B	2K	15"	15"	30"	Sidewind	TJB-2000-MB	TJA-2000S-HD	SNP-RING



## PIPE MOUNT SWIVEL JACKS

These jacks are primarily used in industrial and agricultural applications. Pipe-mount swivel jacks are specially designed for those demanding situations to give superior side-load stability. The pipe swivel design allows the jacks to be secured parallel with the tongue or removed when not in use.



PART #	CAP	LIFT	BRACKET HEIGHT		STYLE	REPLACEMENT PARTS	
			DIM. A	DIM. B		MTG. BRKT.	HANDLE
80459	2K	10.00"	11.62"	21.62"	Topwind	81271	82700
82332	2K	10.00"	11.62"	21.62"	Sidewind	81271	25526
81264	2K	15.12"	11.00"	26.12"	Topwind	81271	82700
82471	5K	14.75"	11.00"	25.75"	Topwind	82500	82700

Note: Atwood jacks and mounting brackets are sold separately.



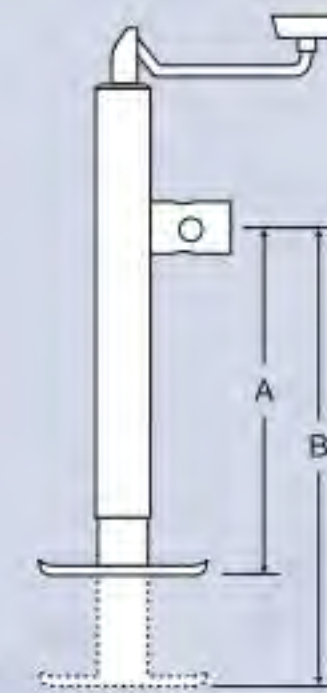
PART #	CAP	LIFT	BRACKET HEIGHT		STYLE	REPLACEMENT PARTS	
			DIM. A	DIM. B		MTG. BRKT.	HANDLE
6630-DL	2K	10.00"	11.00"	21.00"	Topwind	6615-DL	6619-DL
6633-DL	2K	15.00"	15.00"	30.00"	Topwind	6615-DL	6619-DL
6620-DL	2K	10.00"	11.00"	21.00"	Sidewind	6615-DL	6810A
6623-DL	2K	15.00"	15.00"	30.00"	Sidewind	6615-DL	6810A



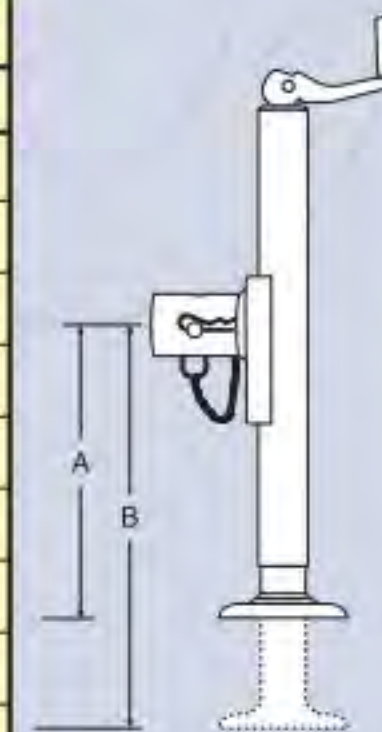
AXLES & COMPONENTS  
SUSPENSIONS & COMPONENTS  
BRAKES & COMPONENTS  
TIRES & WHEELS  
FENDERS & BODY  
JACKS & COUPLERS  
BRAKE CONTROL SYSTEMS  
TOWING & ACCESSORIES  
MARINE COMPONENTS  
HARDWARE & ACCESSORIES  
AGRICULTURAL COMPONENTS  
PAINT & LUBRICANTS  
LIGHTS & ELECTRICAL  
PACKAGED PRODUCTS



PART #	CAP	LIFT	BRACKET HEIGHT		STYLE	REPLACEMENT PARTS	
			DIM. A	DIM. B		MTG. BRKT.	HANDLE
158451	2K	10.00"	11.00"	21.00"	Topwind	0050050300	018917
158452	2K	15.00"	14.50"	29.50"	Topwind	0050050300	018917
158109	2K	10.00"	11.25"	20.80"	Sidewind	0050050300	500256
158151	2K	15.00"	14.50"	29.50"	Sidewind	0050050300	500256
140106	2K	10.00"	11.20"	21.20"	Sidewind	0050050300	500256
178101	5K	10.00"	11.25"	21.25"	Topwind	0050050300	018917
178151	5K	15.00"	14.70"	29.70"	Topwind	0050050300	018917
178201	5K	10.00"	10.40"	20.40"	Sidewind	005006	500105
178203	5K	15.00"	15.40"	30.40"	Sidewind	005006	500105
140148	5K	15.00"	14.70"	29.70"	Topwind	0050050300	018917
198100	7K	10.00"	10.80"	20.80"	Topwind	005024	018917
198200	7K	15.00"	15.80"	30.80"	Topwind	005024	018917
198150	7K	10.00"	10.75"	21.00"	Sidewind	005024	500171
198250	7K	15.00"	15.75"	31.00"	Sidewind	005024	500171



PART #	CAP	LIFT	BRACKET HEIGHT		STYLE	REPLACEMENT PARTS	
			DIM. A	DIM. B		MTG. BRKT.	HANDLE
JPT02-10XP	2K	10.00"	11.25"	21.25"	Topwind	TJP-IP916	TJPB-HD
JPT02-15XP	2K	15.00"	15.00"	30.00"	Topwind	TJP-IP916	TJPB-HD
JPS02-10XP	2K	10.00"	11.25"	21.25"	Sidewind	TJP-IP916	TJA-2000S-HD
JPS02-15XP	2K	15.00"	16.25"	31.25"	Sidewind	TJP-IP916	TJA-2000S-HD
JPT05-10XP	5K	10.00"	11.25"	21.25"	Topwind	TJP-IP916	TJPB-HD
JPT05-15XP	5K	15.00"	15.00"	30.00"	Topwind	TJP-IP916	TJPB-HD
JPS05-10XP	5K	10.00"	11.25"	21.25"	Sidewind	TJP-IP58	TJD-7000S-HD
JPS05-15XP	5K	15.00"	16.25"	31.25"	Sidewind	TJP-IP58	TJD-7000S-HD
JPS07-10XP	7K	10.00"	11.50"	21.50"	Sidewind	TJP-IP58	TJD-7000S-HD



FRACTION	DECIMAL
1/16	.0625
1/8	.1250
3/16	.1875
1/4	.2500
5/16	.3125
3/8	.3750
7/16	.4375
1/2	.5000
9/16	.5625
5/8	.6250
11/16	.6875
3/4	.7500
13/16	.8125
7/8	.8750
15/16	.9375



- AXLES & COMPONENTS
- SUSPENSIONS & COMPONENTS
- BRAKES & COMPONENTS
- TIRES & WHEELS
- FENDERS & BODY
- JACKS & COUPLERS**
- BRAKE CONTROL SYSTEMS
- TOWING & ACCESSORIES
- MARINE COMPONENTS
- HARDWARE & ACCESSORIES
- AGRICULTURAL COMPONENTS
- PAINT & LUBRICANTS
- LIGHTS & ELECTRICAL
- PACKAGED PRODUCTS

## MARINE AND RECREATIONAL JACKS



The F2, designed for use with marine, recreational and utility trailers. It's so strong and reliable that Fulton is backing it with an unprecedented LIMITED LIFETIME WARRANTY.

PART #	CAP	LIFT	BRACKET HEIGHT		REPLACEMENT PARTS	
			DIM. A	DIM. B	HANDLE	WHEEL
1413040134	1.6K	10.00"	13.75"	23.75"	500134	500131
1413020134	1.6K	10.00"	13.25"	23.25"	500134	500131

The Fulton brand bolt-thru swivel mounts (U.S. PAT. 6,302,381) use 3-D formed heavy-gauge steel stampings and a proprietary bushing material for a mount with minimal deflection and maximum support. All mounts fit up to a 3" x 5" trailer frame.

PART #	CAP	LIFT	BRACKET HEIGHT		WHEEL SIZE	BRACKET TYPE	REPLACEMENT PARTS	
			DIM. A	DIM. B			HANDLE	WHEEL
EJ1000	1.0K	10.00"	12.80"	22.80"	6.0"	Bolt-on	n/a	n/a
XP10	1.2K	10.00"	14.00"	22.75"	6.0"	Bolt-on	0933301S00	6811S00
XP10W	1.2K	10.00"	12.75"	22.75"	6.0"	Weld-on	0933301S00	6811S00
XP15	1.5K	10.00"	13.50"	22.75"	8.0"	Bolt-on	0933305S00	0933323S00
TJ1222	1.2K	15.00"	10.00"	26.00"	6.0"	Bolt-on	0933305S00	6811S00

### Fulton XLT Jack

Swing Away, Mounting Hardware included.

- Patent pending TruTurn 360 system delivers best in class castering performance.
- Raises & lowers 35% faster than the competition.
- Patented inner and outer tube bushings provide a tight fit and lessen tube drag.
- Premium Sharkskin™ finish for optimum corrosion resistance.
- 20% more screw travel than conventional jacks.
- Stylized handles with soft touch grips.
- Grease fittings in key locations for easy lubrication.

PART #	CAP	LIFT	BRACKET HEIGHT		WHEEL SIZE	BRACKET TYPE	REPLACEMENT PARTS
			DIM. A	DIM. B			PULL PIN
141133	1.5K	12.00"	10.5"	22.6"	n/a	Bolt-on	500365

MJ-1500B

MJ-1500B-DWL

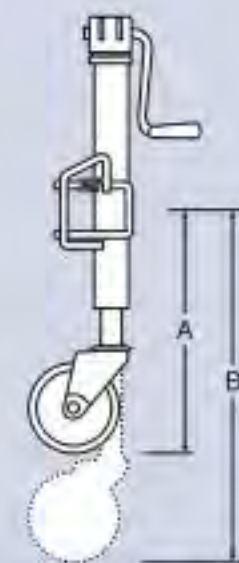
MJSQ-2500B-ZG

JBS01-10CZ



All swivel jacks come standard with heavy duty .5" pull pin. Bolt-on models include hardware and fit up to a 3" x 5" trailer frame. Weld-on models include weldable bracket. RAM 1200 lb and 1500 lb swivel jacks utilize a four pin bolt through design. This is done for better side load capabilities.

PART #	CAP	LIFT	BRACKET HEIGHT		WHEEL SIZE	BRACKET TYPE	REPLACEMENT PARTS	
			DIM. A	DIM. B			HANDLE	WHEEL
JBS01-10CZ	1.0K	10.00"	12.70"	22.70"	6.0"	Bolt-on	MJ-1000B-HD	JWK-6P
JWS01-10CZ	1.0K	10.00"	12.70"	22.70"	6.0"	Weld-on	MJ-1000B-HD	JWK-6P
MJ-1200B	1.2K	10.00"	12.70"	22.70"	6.0"	Bolt-on	MJ-1000B-HD	JWK-6P
MJ-1500B	1.5K	10.00"	12.70"	22.70"	8.0"	Bolt-on	TJA-2000S-HD	JWK-8P
MJ-1500B-DWL	1.5K	12.00"	12.50"	24.50"	Dual 6.0"	Bolt-on	TJA-2000S-HD	JWK-6P
MJSQ-2500B-ZG	2.5K	28.00"	7.00"	35.00"	Foot	Fixed Mount	TJD-7000S-HD	n/a
MJ-1206B	1.0K	10.00"	12.70"	22.70"	6.0"	Bolt-on	MJ-1000B-HD	JWK-6P



## MARINE SWIVEL MOUNT JACKS



Atwood double lock pin swivel jacks have been designed and tested to service a wide variety of markets.

PART #	CAP	LIFT	BRACKET HEIGHT		WHEEL SIZE	BRACKET TYPE	REPLACEMENT PARTS	
			DIM. A	DIM. B			HANDLE	
87535	.5K	10.00"	12.87"	22.87"	6.0"	Weld-on	82700	
80057	1.2K	14.00"	17.4"	25.37"	6.0"	Weld-on	82700	



PART #	CAP	LIFT	BRACKET HEIGHT		WHEEL SIZE	BRACKET TYPE	REPLACEMENT PARTS	
			DIM. A	DIM. B			HANDLE	WHEEL
5854A-24	1.0K	10.00"	14.5"	22.75"	6.0"	Bolt-on	2874-11Z	2224-09
5856A-24	1.0K	10.00"	14.5"	22.75"	6.0"	Bolt-on		



PART #	CAP	LIFT	BRACKET HEIGHT		WHEEL SIZE	BRACKET TYPE	REPLACEMENT PARTS	
			DIM. A	DIM. B			HANDLE	WHEEL
3400B	.8K	10.00"	12.625"	23.00"	6.0"	Bolt-on	n/a	6806
6400	1.0K	10.00"	13.00"	23.00"	6.0"	Bolt-on		

## SQUARE TUBE JACKS



Bulldog square tube swivel jacks are rated for 5K support capacity and 3K lift capacity.

PART #	LIFT	BRACKET HEIGHT		STYLE	REPLACEMENT PARTS		
		DIM. A	DIM. B		MTG. BRKT.	HANDLE	SNAP PIN
<b>Round Weld On Mounting Tube</b>							
195356	15.00"	15.10"	30.10"	Sidewind	005006	500105	500231
195306	15.00"	15.20"	30.20"	Topwind	005006	500180	500231
<b>Square Weld On Mounting Tube</b>							
195362	15.00"	15.10"	30.10"	Sidewind	PQM19-00	500105	500231
50TP15F	15.00"	15.20"	30.20"	Topwind	PQM19-00	500180	500231



PART #	SUPPORT CAPACITY	LIFT CAPACITY	LIFT	BRACKET HEIGHT		STYLE	REPLACEMENT PARTS	
				DIM. A	DIM. B		MTG. BRKT.	HANDLE
TJDP-5000-FLB	5K	3K	15.00"	15.20"	30.20"	Topwind	TJP-IP58	TJD-7000-HD
TJDP-5000S-FLB	5K	3K	15.00"	15.20"	30.20"	Sidewind	TJP-IP58	TJD-7000S-HD
TJDP-7000S-FLB	8K	7K	15.00"	14.00"	29.00"	Sidewind	TJP-IP58	TJD-7000S-HD
TJDP-7000S *	8K	7K	15.00"	19.00"	34.00"	Sidewind	TJP-IP58	TJD-7000S-HD

Note: Jack part number with ( \*) is drop leg



87535



5854A-24



3400B



195356

195362



TJDP-5000S-FLB

- AXLES & COMPONENTS
- SUSPENSIONS & COMPONENTS
- BRACKETS & COMPONENTS
- TIRES & WHEELS
- FENDERS & BODY
- JACKS & COUPLERS
- BRAKE CONTROL SYSTEMS
- TOWING & ACCESSORIES
- MARINE COMPONENTS
- HARDWARE & ACCESSORIES
- AGRICULTURAL COMPONENTS
- PAINT & LUBRICANTS
- LIGHTS & ELECTRICAL
- PACKAGED PRODUCTS

# JACKS & COUPLERS



## DIRECT WELD DROP LEG JACKS

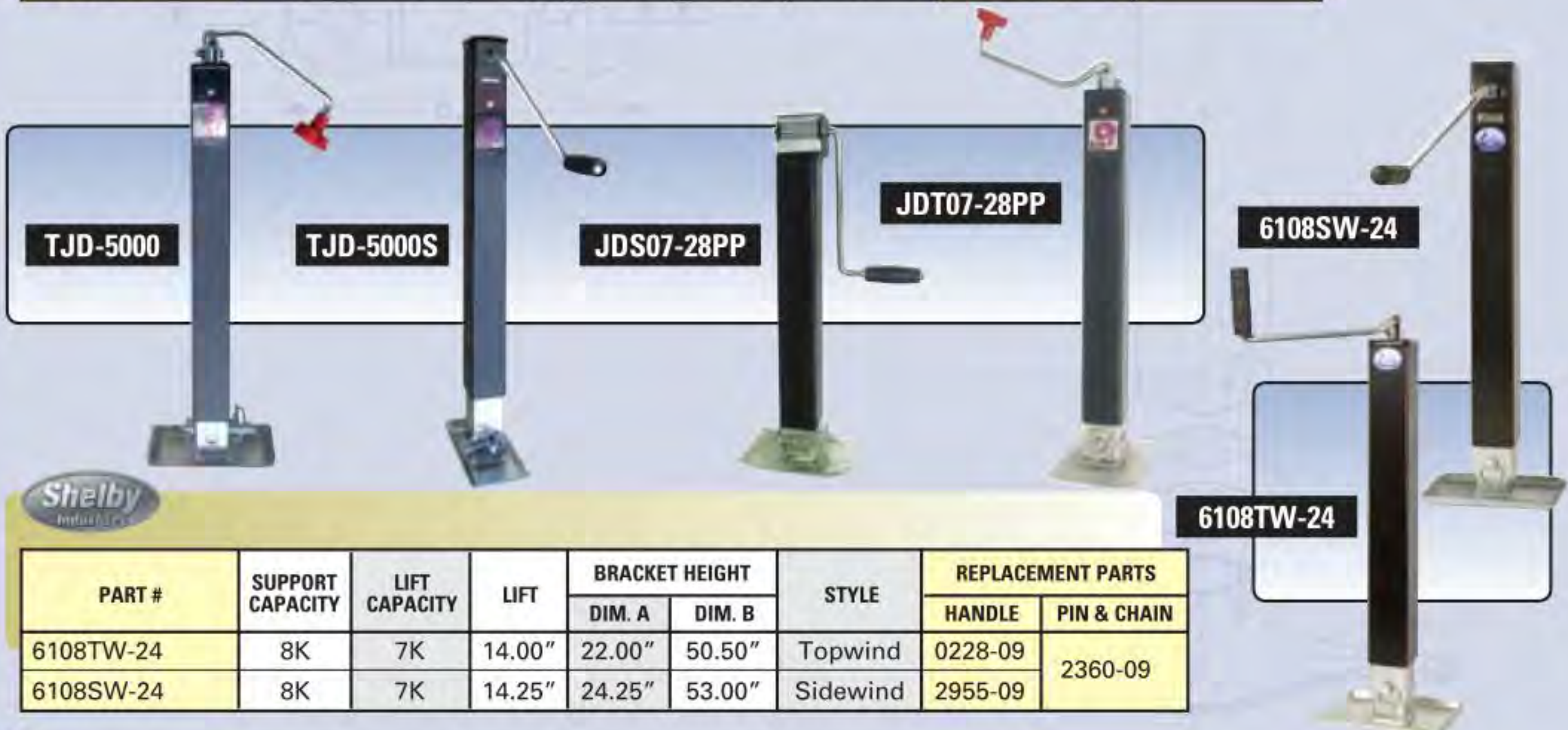


PART #	SUPPORT CAPACITY	LIFT CAPACITY	LIFT	BRACKET HEIGHT		STYLE	REPLACEMENT PARTS	
				DIM. A	DIM. B		HANDLE	PIN & CHAIN
190704	8K	5K	15.00"	22.66"	51.41"	Topwind	500148	701354
190754	8K	5K	15.00"	25.06"	53.56"	Sidewind	500171	701354
140080	8K	5K	15.00"	22.90"	51.50"	Topwind	500148	701354
180354	10K	7.2K	15.00"	22.93"	51.43"	Topwind	701283	500337
180455	10K	7.2K	15.00"	25.67"	54.17"	Sidewind	800144	500337
140085	8K	5K	15.00"	-	-	Sidewind	-	701354

Note: 800144 kit for 180455 includes handle, gears, bushings, pins and bearing



PART #	SUPPORT CAPACITY	LIFT CAPACITY	LIFT	BRACKET HEIGHT		STYLE	REPLACEMENT PARTS	
				DIM. A	DIM. B		HANDLE	PIN & CHAIN
TJD-5000	5K	3K	15.00"	24.50"	39.50"	Topwind	TJPB-HD	TJD-7000-PN
TJD-5000S	5K	3K	15.00"	24.50"	39.50"	Sidewind	TJD-7000S-HD	
JDT07-28PP	8K	7K	15.00"	23.50"	38.50"	Topwind	TJD-7000-HD	
JDS07-28PP	8K	7K	15.00"	23.50"	38.50"	Sidewind	TJD-7000S-HD	



PART #	SUPPORT CAPACITY	LIFT CAPACITY	LIFT	BRACKET HEIGHT		STYLE	REPLACEMENT PARTS	
				DIM. A	DIM. B		HANDLE	PIN & CHAIN
6108TW-24	8K	7K	14.00"	22.00"	50.50"	Topwind	0228-09	2360-09
6108SW-24	8K	7K	14.25"	24.25"	53.00"	Sidewind	2955-09	

AXLES & COMPONENTS  
SUSPENSIONS & COMPONENTS  
BRAKES & COMPONENTS  
TIRES & WHEELS  
FENDERS & BODY  
JACKS & COUPLERS  
BRAKE CONTROL SYSTEMS  
TOWING & ACCESSORIES  
MARINE COMPONENTS  
HARDWARE & ACCESSORIES  
AGRICULTURAL COMPONENTS  
PAINT & LUBRICANTS  
LIGHTS & ELECTRICAL  
PACKAGED PRODUCTS



## HEAVY DUTY DIRECT WELD DROP LEG JACKS



All Bulldog 4" square jacks are rated for 12,000 lb. support capacity and 10,000 lb. lift capacity.

PART #	LIFT	BRACKET HEIGHT		STYLE	SPRING LOADED	PIN POSITION	GEAR TYPE	HANDLE
		DIM. A	DIM. B					
<b>SINGLE SPEED</b>								
140095	12.50"	28.25"	54.25"	Sidewind	Yes	Front	n/a	015181
182304	12.50"	23.40"	49.40"	Topwind	No	n/a	n/a	800075
182400	12.50"	27.40"	53.30"	Sidewind	No	Side	n/a	015181
182415	12.50"	28.60"	54.60"	Sidewind	No	Front	n/a	
182800	12.50"	27.40"	53.30"	Sidewind	Yes	Side	n/a	
182815	12.50"	28.60"	54.60"	Sidewind	Yes	Front	n/a	
<b>2-SPEED</b>								
183816-1	12.50"	29.50"	55.60"	Sidewind	Yes	Front	Planetary	015181
183901-1	12.50"	29.50"	55.60"	Sidewind	No	Front	Traditional	
183903-1	12.50"	29.50"	55.60"	Sidewind	Yes	Front	Traditional	



Note: The 182 Series jacks include handles. Add a (-1) to part number to order less handle (ex. 182800-1)  
 Note: All sidewind jacks use 005120 retaining clip.



PART #	SUPPORT CAPACITY	LIFT CAPACITY	LIFT	BRACKET HEIGHT		STYLE	SPRING LOADED	PIN POSITION	HANDLE
				DIM. A	DIM. B				
<b>SINGLE SPEED</b>									
TJD-12000TW-R	12K	10K	12.50"	23.50"	49.00"	Topwind	No	Side	TJD-12000-HD
JDS10-26PP	12K	10K	12.50"	28.50"	54.00"	Sidewind	No	Front	TJD-12000-HD
JDS10-26MP	12K	10K	12.50"	28.50"	54.00"	Sidewind	No	Side	TJD-12000-HD
TJD-12000TWSP-R	12K	10K	12.50"	23.50"	49.00"	Topwind	Yes	Side	TJD-12000-HD
JDS10-26FNH	12K	10K	12.50"	28.50"	54.00"	Sidewind	Yes	Front	TJD-12000-HD
JDS10-26SP2	12K	10K	12.50"	28.50"	54.00"	Sidewind	Yes	Side	TJD-12000-HD
<b>2-SPEED and SLAVE JACK</b>									
TJD2SP-12000SP-F	12K	10K	12.50"	28.50"	54.00"	Sidewind	Yes	Front	TJD-12000-HD
JDS10-26FNH**	12K	10K	12.50"	28.50"	54.00"	Sidewind	Yes	Front	TJD-12000-HD
<b>50K LANDING GEAR</b>									
TJD-25000	25K	25K	12.50"	28.50"	54.00"	One Speed	No	Side	TJD-12000-HD
TJD2SP-25000	25K	25K	12.50"	28.50"	54.00"	Two Speed	No	Side	TJD-12000-HD
TJD2SPSET-50000*	50K	50K	12.50"	28.50"	54.00"	Set	Yes	Side	TJD-12000-HD

Note: Landing gear part numbers with ( \* ) are complete sets (includes one-speed leg, two speed leg, cross pipe, handle and brackets).

\*\* Slave jack for tandem set.



## ELECTRIC MOTOR KIT



The BULLDOG electric motor kit is specifically designed for use with the 12K Bulldog jacks. Its state of the art 12V DC electric motor lifts more than 50% more than the competition.

PART #	LIFT CAPACITY	TRAVEL PER MINUTE
1824200100	7.5K	3.0"

1824200100



AXLES & COMPONENTS  
 SUSPENSIONS & COMPONENTS  
 BRAKES & COMPONENTS  
 TIRES & WHEELS  
 FENDERS & BODY  
**JACKS & COUPLERS**  
 BRAKE CONTROL SYSTEMS  
 TOWING & ACCESSORIES  
 MARINE COMPONENTS  
 HARDWARE & ACCESSORIES  
 AGRICULTURAL COMPONENTS  
 PAINT & LUBRICANTS  
 LIGHTS & ELECTRICAL  
 PACKAGED PRODUCTS

## TWIN CAM HEAVY DUTY JACKS



The Industry's Strongest Drop Leg Jack. The BULLDOG Twin Cam features a convenient, enclosed pin mechanism with "twin cam" action that will quickly make this heavy duty, drop leg jack the industry standard.

PART #	DESCRIPTION	HANDLE
182701	Sidewind , 25,000 lbs. Static, 12,500 lbs. Lift, Spring Return, 12-1/2" of Travel, 13-1/2" of Drop Leg Extension.	015181
183750	Sidewind 2-Speed, 25,000 lbs. Static, 25,000 lbs. Lift, Spring Return, 12-1/2" of Travel, 13-1/2" of Drop Leg Extension.	

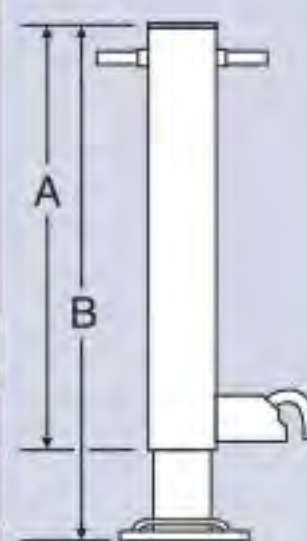
Note: Crank Sold Separately.



## HEAVY DUTY DROP LEG JACKS



PART #	SUPPORT CAPACITY	LIFT CAPACITY	LIFT	BRACKET HEIGHT		STYLE	SPRING LOADED	PIN POSITION	HANDLE
				DIM. A	DIM. B				
<b>DROPLEG JACKS</b>									
48000	12K	10K	13.50"	24.50"	50.00"	Sidewind	No	Side	015181
48000SL	12K	10K	13.50"	24.50"	50.00"	Sidewind	Yes	Side	
DUALPIN	20K	12.5K	13.50"	24.37"	50.37"	Sidewind	No	Front Pedal	
DUALPIN-SL	20K	12.5K	13.50"	24.37"	50.37"	Sidewind	Yes	Front Pedal	
<b>HEAVY DUTY JACKS</b>									
LG-4700-31	25K	6.5K	13.50"	29.78"	55.30"	One Speed	n/a	Side	LG0083-01
LG-4700-32	25K	25K	13.50"	29.78"	55.30"	Two Speed	n/a	Side	LG0083-01
LG-4700-30 *	50K	50K	13.50"	29.78"	55.30"	Set	n/a	Side	LG0083-01
LG-4701-71	35K	6.5K	17.00"	34.25"	51.25"	One Speed	n/a	Side	n/a
LG-4701-72	35K	35K	17.00"	34.25"	51.25"	Two Speed	n/a	Side	n/a
STLG-50033-H12	50K	50K	3.50"	33.7"	52.6"	Set	n/a	Side	STLG-H12



Note: Landing gear part numbers with ( \* ) are complete sets (includes one-speed leg, two speed leg, cross pipe, handle and brackets).

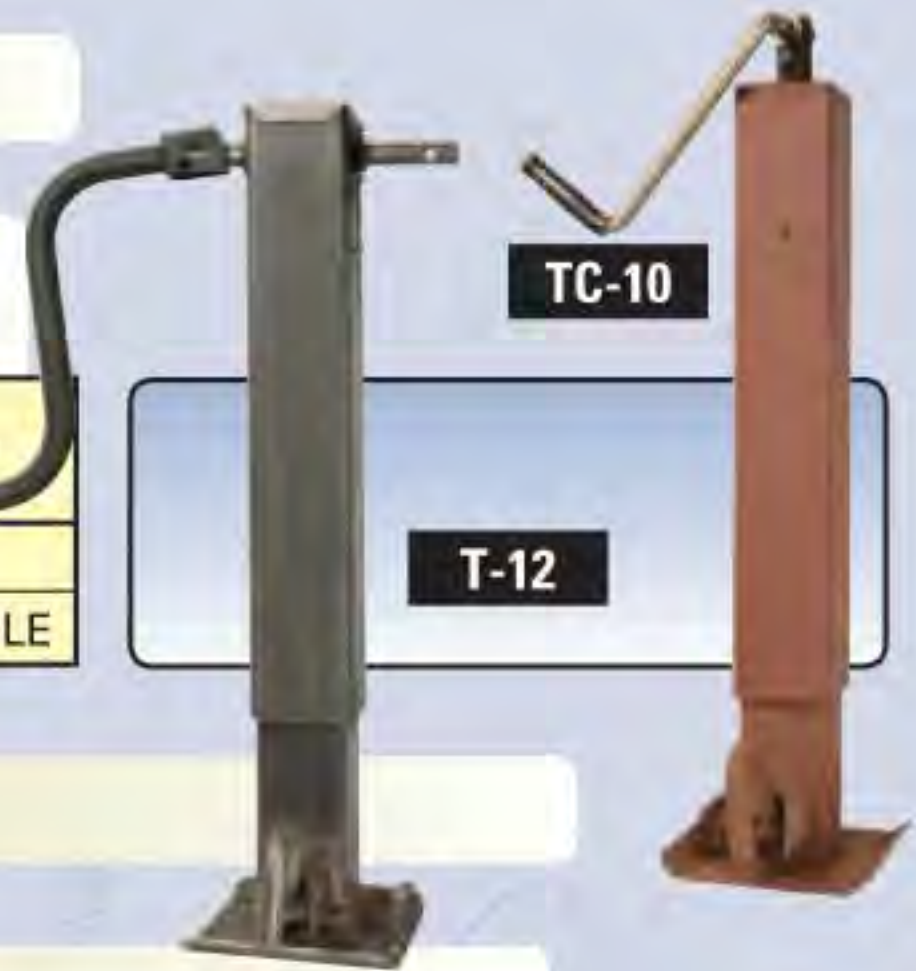


## HEAVY DUTY DROP LEG JACKS



All Autolock jacks are rated for 15K support capacity and 10K lift capacity.

PART #	LIFT	BRACKET HEIGHT		STYLE	SPRING LOADED	PIN POSITION	HANDLE
		DIM. A	DIM. B				
TC-10	8.00"	27.00"	47.00"	Topwind	No	Side	n/a
T-12	12.00"	27.00"	51.00"	Sidewind	No	Side	T-12HANDLE

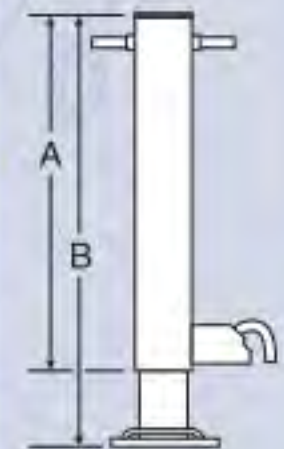


## HEAVY DUTY LANDING GEAR



PART #	SUPPORT CAPACITY	LIFT CAPACITY	LIFT	DIM. A	DIM. B	STYLE	HANDLE	REBUILD KIT	
								ONE SPEED	TWO SPEED
<b>51,000 SERIES</b>									
LG4001-70 *	140K	50K	17.00"	34.25"	51.25"	Set	LG0083-01	RK-11288	RK-11289
LG4001-71	70K	50K	17.00"	34.25"	51.25"	One Speed	n/a	RK-11288	n/a
LG4001-72	70K	50K	17.00"	34.25"	51.25"	Two Speed	n/a	n/a	RK-11289
<b>MARK V</b>									
LGS-3A105 *	200K	62.5K	16.5"	32.1"	48.6"	Set	XA-V-90-0	RK-11286	RK-11287
XA-S9-3A105	100K	8K	16.5"	32.1"	48.6"	One Speed	n/a	RK-11286	n/a
XA-S8-3A105	100K	50K	16.5"	32.1"	48.6"	Two Speed	n/a	n/a	RK-11287

Note: Landing gear part numbers with ( \* ) are complete sets (includes one-speed leg, two speed leg, cross pipe, handle and brackets).



FRACTION	DECIMAL
1/16	.0625
1/8	.1250
3/16	.1875
1/4	.2500
5/16	.3125
3/8	.3750
7/16	.4375
1/2	.5000
9/16	.5625
5/8	.6250
11/16	.6875
3/4	.7500
13/16	.8125
7/8	.8750
15/16	.9375

## AXN LANDING GEAR



AXN Landing Gear feature E-coated tube, forged steel gearing, a full line of travel, shoe, and mounting options. Meets or exceeds TTMA/AAR requirements.

PART #	CAPACITY	TRAVEL	MOUNT	CRANK	FOOT
TLG50ELP17	50K	17.0"	8 Hole Inside	12" Horizontal	Low Profile
TLG50EUN17	50K	17.0"	8 Hole Inside	12" Horizontal	Universal
TLG60TLP17	60K	17.0"	10 Hole Inside	12" Horizontal	Low Profile
TLG60CLP19	60K	19.0"	10 Hole Outside	18" Vertical	Low Profile



- AXLES & COMPONENTS
- SUSPENSIONS & COMPONENTS
- BRAKES & COMPONENTS
- TIRES & WHEELS
- FENDERS & BODY
- JACKS & COUPLERS**
- BRAKE CONTROL SYSTEMS
- TOWING & ACCESSORIES
- MARINE COMPONENTS
- HARDWARE & ACCESSORIES
- AGRICULTURAL COMPONENTS
- PAINT & LUBRICANTS
- LIGHTS & ELECTRICAL
- PACKAGED PRODUCTS

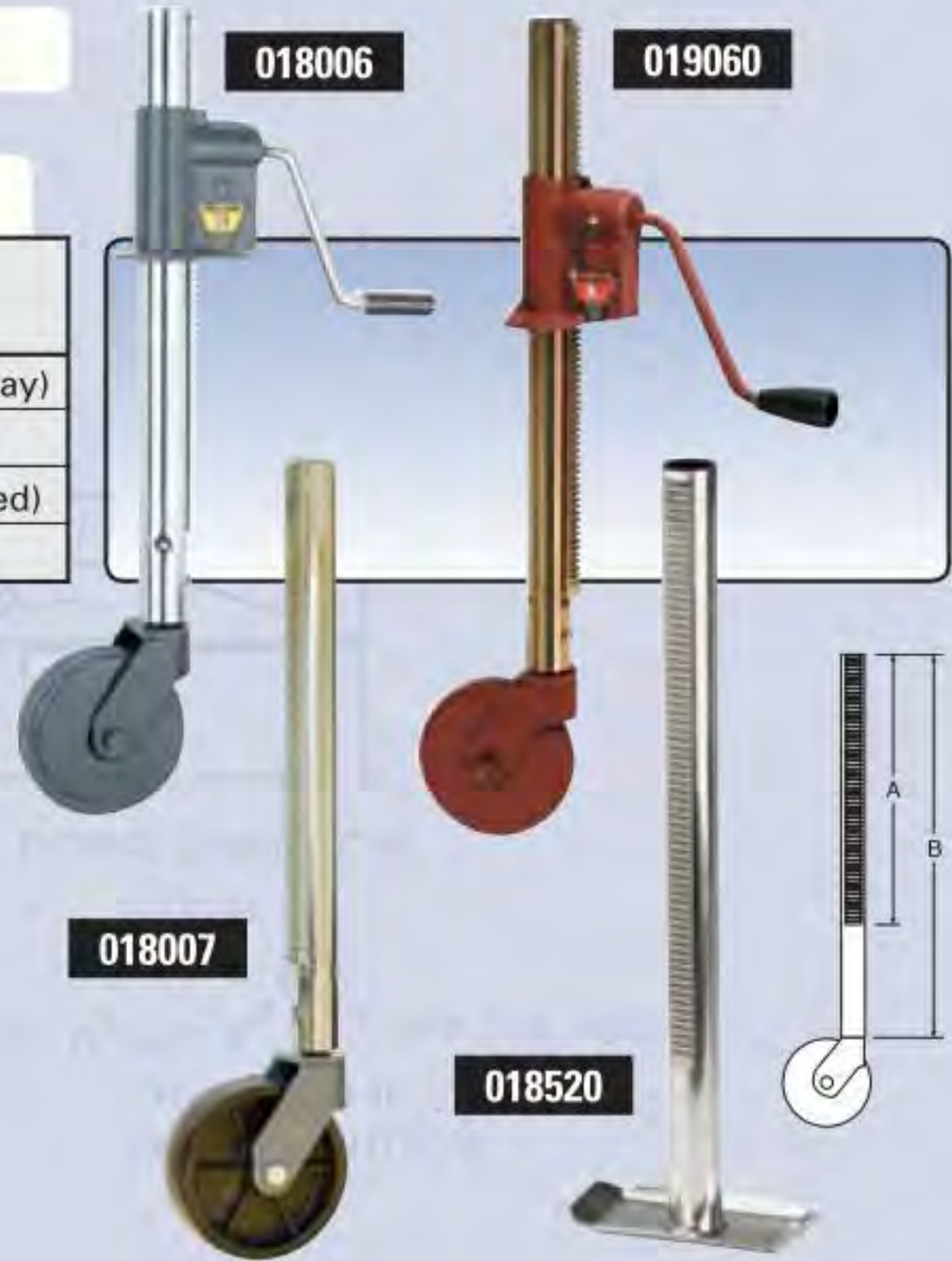
# JACKS & COUPLERS



## RACK POSTS JACKS



PART #	RACK HEIGHT (DIM. A)	POST HEIGHT (DIM. B)	CAPACITY	STYLE
018006	18.00"	21.00"	.75K	Steel Caster (Gray)
018007	18.00"	21.00"	.75K	Poly Caster
019060	18.00"	21.00"	1.2K	Steel Caster (Red)
018520	18.00"	23.50"	.75K	Disc Foot



## GEARBOXES FOR RACK POSTS



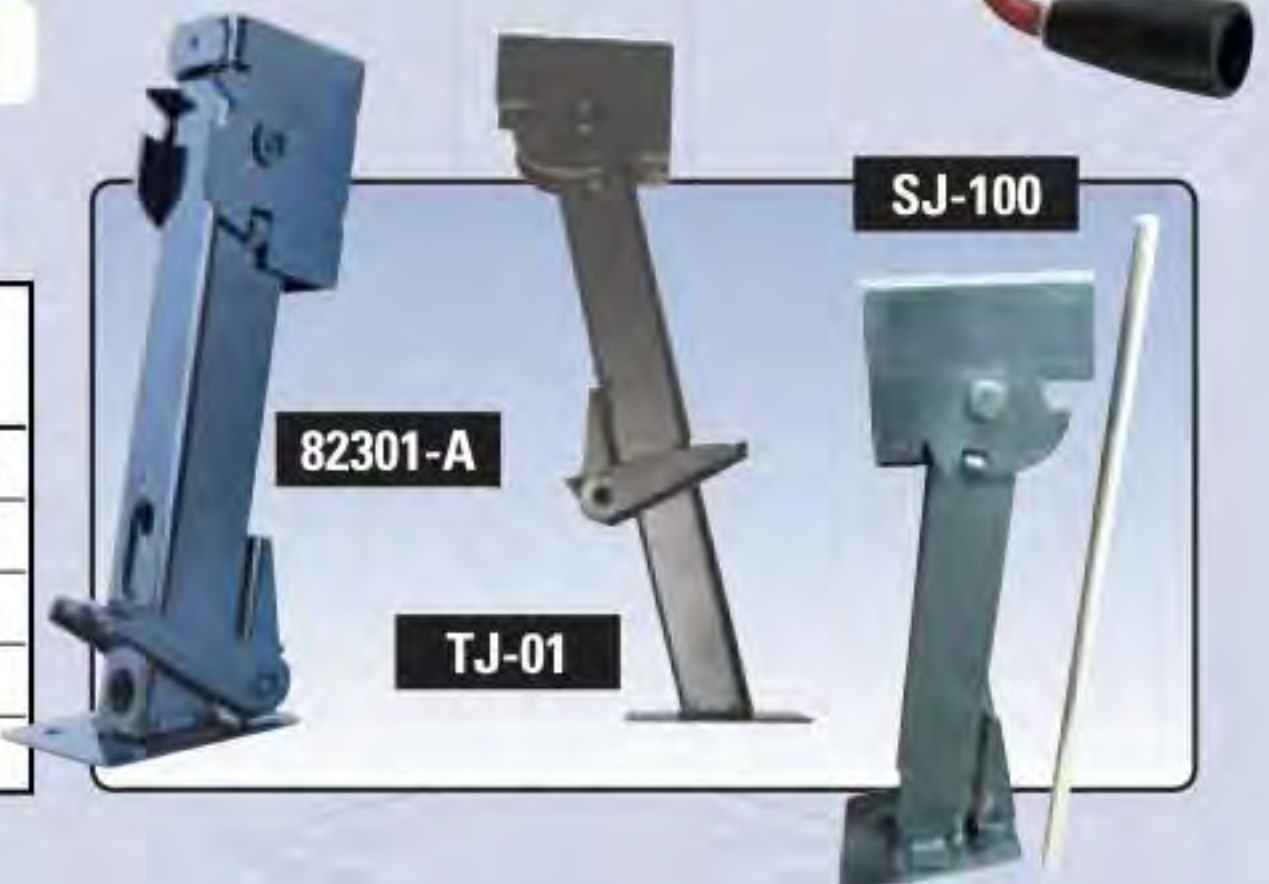
PART #	CAPACITY	STYLE
161	.75K	Weld-on L-Shaped Bracket
165	.75K	A-Frame Bracket .75K
167	.75K	Weld-on Pipe
169	.75K	Bolt-on Adjustable Clamping Bolts
019141	1.2K	A-Frame Bracket 1.2K



## STABILIZER JACKS



PART #	WORK CAPACITY	SUPPORT CAPACITY	HEIGHT		HANDLE	BRAND
			DIM. A	DIM. B		
82301-A	.65K	1K	11.50"	17.75"	3315-H	Atwood
82302*	.65K	1K	11.50"	17.75"	3315-H	Atwood
82297	.65K	1K	15.50"	21.75"	3315-H	Atwood
TJ-01	.65K	1K	11.50"	18.00"	3315-H	Domar
SJ-100**	.65K	1K	11.50"	17.75"	3315-H	Ram



\* Boxed set of (2) 82301-A and (1) 3315-H jack rod.

\*\* Set of (2) TJ-01 and (1) jack rod.

AXLES & COMPONENTS

SUSPENSIONS & COMPONENTS

BRAKES & COMPONENTS

TIRES & WHEELS

FENDERS & BODY

JACKS & COUPLERS

BRAKE CONTROL SYSTEMS

TOWING & ACCESSORIES

MARINE COMPONENTS

HARDWARE & ACCESSORIES

AGRICULTURAL COMPONENTS

PAINT & LUBRICANTS

LIGHTS & ELECTRICAL

PACKAGED PRODUCTS

## LEVELING SCISSORS JACK

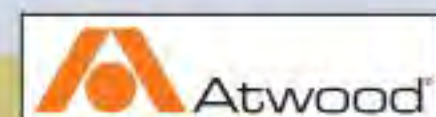


Leveling scissors jack provide leveling and stabilizing for travel trailers, utility trailers, recreational and industrial applications.

PART #	CAPACITY	RETRACTED HEIGHT	LIFT	HANDLE	BRAND
24011	5K	4.75"	19.25"	20036	Shelby
HDSJ-24	5K	4.00"	24.00"	SJC-01	Domar
W1600	3K	4.00"	15.00"	-	Performance Tool
TJSC-24	5k	4.00"	24"	TJSC-24-HD	RAM



## POWER JACKS



Atwood's Power Jacks allow hassle-free trailer lifting with a 12V DC electric motor. Suitable for use on 2 5/16" A-Frame couplers. Both feature a courtesy light and manual override handle.

PART #	CAPACITY	LIFT	LIGHT	BRACKET HEIGHT	
				DIM. A	DIM. B
80515	2.5K	14.375"	Yes	10.12"	25.75"
80718	3.5K	19.00"	Yes	10.875"	29.625"



12 Volt DC powered with manual crank over-ride. 48" long prewired (7-pin RV-type) trailer connector power supply for quick, plug-in. Hardened steel gears and new full 24" stroke: (18" Power + 6" manual drop leg extension).

PART #	CAPACITY	LIFT	LIGHT	BRACKET HEIGHT	
				DIM. A	DIM. B
0093500	3.5K	18.00"	Yes	9.6"	38.6"



Deploys and hooks up more easily at night with onboard LED courtesy light. Retains like-new appearance with corrosion-resistant surfaces. Protects your investment with a leading 5-year warranty.

PART #	CAPACITY	LIFT	COLOR	BRACKET HEIGHT	
				DIM. A	DIM. B
500187	3.5K	14"	Black	9.75"	31.5"
500188	3.5K	14"	White	9.75"	31.5"
500199	4K	17"	Black	9.75"	34.5"
500200	4K	17"	White	9.75"	34.5"



Fifth Wheel RV Landing Gear System  
Dual Drive, Output Motors Pre-assembled to Jacks, Includes Two Switches & Panel, Wiring Harness, Mounting Hardware & Spring Loaded Drop Leg Pins)

PART #	CAPACITY	LIFT	TRAVEL
500170	10K	7K	36"



RAM power jacks feature a powder coated exterior tube and a zinc plated inner tube with a removable sand foot. LED lights for easy night time hookups and a manual hand crank in case of power loss. For use with 12V systems.

PART #	CAPACITY	LIFT	LIGHT	COLOR	DROP LEG
EJ-3501-BBX	3.5K	18.00"	LED	Black	No
EJ-3508-WBX	3.5K	18.00" + 4.75"	LED	White	Yes
EJ-3508-BBX	3.5K	18.00" + 4.75"	LED	Black	Yes

AXLES & COMPONENTS  
SUSPENSIONS & COMPONENTS  
BRAKES & COMPONENTS  
TIRES & WHEELS  
FENDERS & BODY  
JACKS & COUPLERS  
BRAKE CONTROL SYSTEMS  
TOWING & ACCESSORIES  
MARINE COMPONENTS  
HARDWARE & ACCESSORIES  
AGRICULTURAL COMPONENTS  
PAINT & LUBRICANTS  
LIGHTS & ELECTRICAL  
PACKAGED PRODUCTS

## STRAIGHT COUPLERS



### Stamped Couplers

PART #		BALL SIZE	TONGUE WIDTH	CAPACITY
PRIMED	ZINC			
11-200	E112000340	1-7/8"	2.0"	2.0K
11-250	n/a	1-7/8"	2.5"	2.0K
11-300	11-300-0301	1-7/8"	3.0"	2.0K
22-200	22-200-0301	2"	2.0"	3.5K
22-250	22-250-0301	2"	2.5"	3.5K
22-300	22-300-0301	2"	3.0"	3.5K
34-300	34300-0301	2"	3.0"	5.0K



22-300-0301

22-300



### Handwheel Coupler

PART #	PRIMED	BALL SIZE	TONGUE WIDTH	CAPACITY	REPAIR KIT
308		2"	2.875"	5.0K	52

308



### Stamped Couplers

PART #		BALL SIZE	TONGUE WIDTH	CAPACITY	REPAIR KIT
PRIMED	ZINC				
CS102-1TO	CS102-1TZ	1-7/8"	2.0"	2.0K	CT-2001-RK
CS203-1TO	CS203-1TZ	2"	2.0"	3.5K	CT-3000-RK
CS203-2TO	CS203-2TZ	2"	2.5"	3.5K	CT-3000-RK
CS203-3TO	CS203-3TZ	2"	3.0"	3.5K	CT-3000-RK
CS205-3TO	CS205-3TZ	2"	3.0"	5.0K	CT-3000-RK

CS203-3TO



CS203-3TZ



### Stamped Couplers

PART #		BALL SIZE	TONGUE WIDTH	CAPACITY	REPAIR KIT
OILED	ZINC				
5143	5143-ZP	1-7/8"	2.0"	2.0K	S5150
5141	n/a	1-7/8"	2.5"	2.0K	S5150
5144	n/a	1-7/8"	3.0"	2.0K	S5150
5145	5145-ZP	2"	2.0"	3.5K	S5151
5142	n/a	2"	2.5"	3.5K	S5151
5146	n/a	2"	3.0"	3.5K	S5151

5145-ZP



### Stamped Couplers

PART #		BALL SIZE	TONGUE WIDTH	CAPACITY	REPAIR KIT
OILED	ZINC				
3110-DL	3110-DLZP	1-7/8"	2.0"	2.0K	6256-DL
3112-DL	3112-DLZP	1-7/8"	2.5"	2.0K	6256-DL
3111-DL	3111-DLZP	1-7/8"	3.0"	2.0K	6256-DL
3105-DL	3105-DLZP	2"	2.0"	3.5K	6257-DL
3106-DL	3106-DLZP	2"	2.5"	3.5K	6257-DL
3104-DL	3104-DL-Z	2"	3.0"	3.5K	6257-DL
n/a	3122-DLZP	2"	3.0"	5.0K	6257-DL

3105-DLZP



AXLES & COMPONENTS

SUSPENSIONS & COMPONENTS

BRAKES & COMPONENTS

TIRES & WHEELS

FENDERS & BODY

JACKS & COUPLERS

BRAKE CONTROL SYSTEMS

TOWING & ACCESSORIES

MARINE COMPONENTS

HARDWARE & ACCESSORIES

AGRICULTURAL COMPONENTS

PAINT & LUBRICANTS

LIGHTS & ELECTRICAL

PACKAGED PRODUCTS

AXLES & COMPONENTS

SUSPENSIONS & COMPONENTS

BRAKES & COMPONENTS

TIRES & WHEELS

FENDERS & BODY

JACKS & COUPLERS

BRAKE CONTROL SYSTEMS

TOWING & ACCESSORIES

MARINE COMPONENTS

HARDWARE & ACCESSORIES

AGRICULTURAL COMPONENTS

PAIN & LUBRICANTS

LIGHTS & ELECTRICAL

PACKAGED PRODUCTS



## Stamped Couplers

PART # PAINTED	BALL SIZE	TONGUE WIDTH	CAPACITY	REPAIR KIT
80082	2"	2.0"	5.0K	15775
80051	2"	3.0"	3.5K	15775
80060	2"	3.0"	5.0K	15775
80131	2-5/16"	3.0"	8.5K	07532



## Stamped Couplers

PART # PRIMED	BALL SIZE	TONGUE WIDTH	CAPACITY	REPAIR KIT
23434-00	1-7/8", 2", 50mm	3.0"	5.0K	40454
17550	2-5/16"	3.0"	20K	18487



## Forged Couplers

PART # PAINTED	BALL SIZE	TONGUE WIDTH	CAPACITY	STYLE	REPAIR KIT
2B4H	2"	3.0" SQ	5.0K	High Latch	024200
2B2H	2"	2.25" O.D. RD. Pipe	5.0K	High Latch	
2B5H	2"	3.5" O.D. RD. Pipe	5.0K	High Latch	
3B4H	2"	3.0" SQ	7.0K	High Latch	
4B4H	2-5/16"	3.0" SQ	12.5K	High Latch	
4B2H	2-5/16"	2.25" O.D. RD. Pipe	12.5K	High Latch	



## A-FRAME COUPLERS



## Forged Couplers

PART # OILED	BALL SIZE	CAPACITY	STYLE	REPAIR KIT
2B8L	2"	5.0K	Low Latch	n/a
2B8H	2"	5.0K	High Latch	024200
3B8L	2"	7.0K	Low Latch	n/a
4B8L	2-5/16"	12.5K	Low Latch	n/a
4B8H	2-5/16"	12.5K	High Latch	024200



# JACKS & COUPLERS



PART # PAINTED	PART # OILY	PART # ZINC	BALL SIZE	CAPACITY	STYLE	REPAIR KIT
CA205-OTP	CA205-OTO	CA205-OTZ	2"	5.0K	Flip Latch	CA-5100-RK
CA208-OYP	CA208-OYO	n/a	2"	8.0K	Yoke	n/a
CA-5196-B	n/a	n/a	2"	7.0K	Forged	n/a
CA-5296-B	n/a	n/a	2-5/16"	12.5K	Forged	n/a
CA314-OTP	CA314-OTO	CA314-OTZ	2-5/16"	14.0K	Flip Latch	n/a
CA-5280-B	n/a	n/a	2-5/16"	15.0K	Cast	n/a



PART # PAINTED	BALL SIZE	CAPACITY	STYLE	REPAIR KIT
80072	2"	5.0K	Yoke	15775
88555	2"	8.0K	Flip Latch	88051
80101	2-5/16"	8.5K	Yoke	15774
88007	2-5/16"	10.0K	Flip Latch	88061
81911	2-5/16"	10.0K	Thumb Latch	n/a
81912	2-5/16"	13.0K	Thumb Latch	n/a
82680 *	2-5/16"	13.0K	Thumb Latch	n/a

\* Undermount coupler



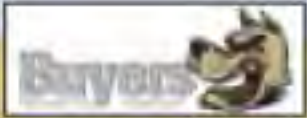
PART # PAINTED	BALL SIZE	CAPACITY	STYLE	REPAIR KIT
33-305	2"	5.0K	Flip Latch	n/a
44-305	2-5/16"	10.0K	Flip Latch	n/a
44150W	2-5/16"	15.0K	Cast	n/a



PART # PAINTED	BALL SIZE	CAPACITY	STYLE	REPAIR KIT
5172	2"	5.0K	Flip Latch	S5153
5104	2-5/16"	13.0K	Flip Latch	n/a







## Heavy Duty Cast Couplers

PART # PAINTED	BALL SIZE	CAPACITY	STYLE
0091590	2"	10.0K	Cast
0091595	2-5/16"	15.0K	Cast



## ADJUSTABLE HEIGHT COUPLERS



PART # PAINTED	BALL SIZE	CAPACITY	BRACKET	REPAIR KIT
3B2M-A	2"	7.0K	n/a	n/a
4B2M-A	2-5/16"	12.5K	n/a	n/a
1051XL	2-5/16"	12.5K	6 Hole	n/a
A2563C	2-5/16"	14.0K	4 Hole	67-0801
A2565C	2-5/16"	14.0K	6 Hole	67-0801
A200S	2"	8.0K	n/a	n/a
A256S	2-5/16"	14.0K	n/a	n/a

Note: All couplers come with bolts and nuts.



PART # PAINTED	BALL SIZE	CAPACITY	BRACKET	STYLE
CTA-196	2"	7.0K	n/a	Forged
CTA-296	2-5/16"	12.5K	n/a	Forged
CV314-XTP	2-5/16"	14.0K	4 Hole	Stamped
CV314-YTP	2-5/16"	14.0K	6 Hole	Stamped
CTA-280	2-5/16"	15.0K	n/a	Cast



PART # PAINTED	BALL SIZE	CAPACITY	BRACKET	BOLTS W/NUTS	REPAIR KIT
18820	2-5/16"	12.0K	n/a	No	18487
23309	2-5/16"	12.0K	4 Hole	Yes	
23309XL	2-5/16"	12.0K	6 Hole	Yes	

Note: 23309 and 23309XL Kits Include 18820, Bracket, And Bolt Kit.



PART # PAINTED	BALL SIZE	CAPACITY	SAE CLASS	BRACKET	BOLTS W/NUTS	STYLE
0091540	2"	10.0K	IV	n/a	No	Cast
0091550	2-5/16"	15.0K	IV	n/a	No	Cast
0091553	2-5/16"	15.0K	IV	4 Hole	Yes	Cast
0091555	2-5/16"	15.0K	IV	6 Hole	Yes	Cast
0091545	2"	10.0K	IV	5 Hole	Yes	Cast



## ADJUSTABLE NOSE PLATE COUPLERS



PART #	BALL SIZE	CAPACITY	STYLE
0091558	2-5/16"	15.0K	4 Hole Cast

Note : These couplers bolt to 4 hole square nose plate.



PART #	BALL SIZE	CAPACITY	STYLE
CTA-80PL	2-5/16"	20.0K	4 Hole Cast
CTA-400PL	2-5/16"	14.0K	4 Hole Stamped



An excellent alternative to tow rings or pintle hooks. The Atwood pull-type coupler is a strong positive hitch system for flat-nosed trailers.

PART #	BALL SIZE	CAPACITY	STYLE	PULL PIN & CHAIN
75074	2-5/16"	25.0K	4 Hole Stamped	70897



### Trailer Nose Plate

PART #	THICK	HOLES	HOLE DIA.
TNP7166	.75"	8	.65"
TNP716750100	1"	8	.65"



0091558



CTA-80PL



CTA-400PL



75074



TNP7166



**Integrated Solutions  
for the Trailer Industry!**

- AXLES & COMPONENTS
- SUSPENSIONS & COMPONENTS
- BRAKES & COMPONENTS
- TIRES & WHEELS
- FENDERS & BODY
- JACKS & COUPLERS**
- BRAKE CONTROL SYSTEMS
- TOWING & ACCESSORIES
- MARINE COMPONENTS
- HARDWARE & ACCESSORIES
- AGRICULTURAL COMPONENTS
- PAINT & LUBRICANTS
- LIGHTS & ELECTRICAL
- PACKAGED PRODUCTS

## FOLD-AWAY HINGE KITS

### FULTON

Bolt-on do-it-yourself kits provide professional results. Bolt-on kits have excellent corrosion protection with Z-Max 600-hour clear zinc finish. Bolt-on kits include fold-away hinges, mounting hardware, pivot bolt, pivot pin/clip.

Weld-on kits are raw finish castings ideal for painting or galvanizing. Weld-on kits include fold-away hinges, zinc plated pivot bolt and nut, 5/8" diameter. Limited 5 year warranty.

PART #	TRAILER GVW	FIT TUBE SIZE	STYLE
HDPB330301	3.5K	3"x 3"	Bolt-on
HDPB340301	5.0K	3"x 4"	Bolt-on



## GOOSENECK COUPLERS



PART#	BALL	TUBE SIZE	HEIGHT		CAPACITY	INNER PIPE
			RETRACTED	EXTENDED		
3132-HB	2-5/16"	Coupler Only (Pipe Only)	n/a	n/a	20.0K	n/a
3130-HB	2-5/16"	4.5" Round	n/a	33.0"	20.0K	n/a
3131-HB	2-5/16"	4.5" Round	29.2"	37.2"	20.0K	3131-HB-IP
3131-HB-25K	2-5/16"	4.5" Round	29.3"	37.3"	25.0K	n/a
028779	2-5/16"	4.5" Round	26.7"	34.7"	20K	n/a
028780	2-5/16"	4.5" Round	26.7"	34.7"	25K	n/a
3134-HB	2-5/16"	4.5" Square	32.0"	40.0"	25.0K	3134-HB-IP
028900	2-5/16"	4.5" Square Topwind	32.0"	39.0"	30.0K	n/a
1289200300	3.0"	4 1/2 Square	22"	24.6"	40K	



PART#	BALL	TUBE SIZE	HEIGHT		CAPACITY	INNER PIPE
			RETRACTED	EXTENDED		
CJ320-ROO	2-5/16"	4.5" Round	30.0"	38.0"	24.0K	GC-30008-IP
CJ330-ROO	2-5/16"	4.5" Round	30.0"	38.0"	30.0K	GC-30000-IP
GCSQ-25000	2-5/16"	4.5" Square	32.0"	40.0"	25.0K	GCSQ-25000-IP
GCSQTW-30000	2-5/16"	4.5" Square Topwind	32.0"	39.0"	30.0K	n/a
GCPN-30008	2-5/16"	4.5" Round	29.2"	37.2"	30K	GCPN-30008-IP

\* GCPN-25008 Has .75" Load Bearing Pin GCPN-25000-PIN



3132-HB (0287740300)



3134-HB (0289600300)



3131-HB (0287600300)



028900



1289200300



AXLES & COMPONENTS

SUSPENSIONS & COMPONENTS

BRAKES & COMPONENTS

TIRES & WHEELS

FENDERS & BODY

JACKS & COUPLERS

BRAKE CONTROL SYSTEMS

TOWING & ACCESSORIES

MARINE COMPONENTS

HARDWARE & ACCESSORIES

AGRICULTURAL COMPONENTS

PAINT & LUBRICANTS

LIGHTS & ELECTRICAL

PACKAGED PRODUCTS

## GOOSENECK COUPLERS (Continued)



PART#	BALL	TUBE SIZE	BRACKET HEIGHT		CAPACITY	INNER PIPE
			DIM. A	DIM. B		
3133 Kit: consists of of 3133-1 & 3133-2	2-5/16"	Coupler Only (No Pipe)	n/a	n/a	30.0K	n/a
GN-300	3"	Coupler Only (No Pipe)	n/a	n/a	40.0K	n/a
BH-2516SRD	2-5/16"	4.5" Round	28.0"	38.0"	30.0K	AGBABH2516SRD
BH-2516SST	2-5/16"	4.5" Square	30.0"	38.0"	30.0K	AGBABH2516SST
LL-2516BH412	2-5/16"	4.5" Top Crank	30.0"	38.0"	30.0K	AGBALL2516BH412
LL-2516ST412	2-5/16"	4.0" Top Crank	28.0"	38.0"	24.0K	n/a
LL-2516GN412	2-5/16"	4.0" Top Crank	28.0"	38.0"	30.0K	AGBALL2516GN412



Note: Replacement inner pipes for old style 4.0" couplers are available.  
For part number, subtract 412 from current part numbers.

**BH-2516SRD**

**BH-2516SST**

**LL-2516BH412**

**LL-2516ST412**

**LL2516GN412**



### Coupler Head (No Pipe)

PART# PAINTED	BALL SIZE	CAPACITY	FITS
GN-24	2-5/16"	24.0K	3" or 4" Diameter Tubes
GCPN-HEAD	2-5/16"	25.0K	4.5" Diameter Tubes

**GN-24**



## GOOSENECK ADAPTERS AND ACCESSORIES



### Gooseneck Couplers With Remote

- 24,000 lb rating
- 72" remote control bracket with bracket included
- Replacement inner pipe for gooseneck couplers

PART #	BALL SIZE	TUBE SIZE
3140	2-5/16"	4.0" Round



**3140**

## GOOSENECK ADAPTERS AND ACCESSORIES (Continued)

AXLES & COMPONENTS

SUSPENSIONS & COMPONENTS

BRAKES & COMPONENTS

TIRES & WHEELS

FENDERS & BODY

JACKS & COUPLERS

BRAKE CONTROL SYSTEMS

TOWING & ACCESSORIES

MARINE COMPONENTS

HARDWARE & ACCESSORIES

AGRICULTURAL COMPONENTS

PAINT & LUBRICANTS

LIGHTS & ELECTRICAL

PACKAGED PRODUCTS



### Extended Gooseneck Couplers

- 24,000 lb rating
- Fits standard trailer coupler tubes
- **Nine inch offset** between truck and trailer
- More trailer swing

PART #	BALL SIZE	TUBE SIZE
SB1	2-5/16"	4.0" Round
SB2	2-5/16"	4.5" Square
SB3	2-5/16"	4.0" Square



### Cushioned Gooseneck Coupler Insert

"Up to 30,000 lbs. Gross Trailer Weight. Progressive shock dampening cushions. Less driver and passenger fatigue. Less animal fatigue. Less wear and tear on truck and trailer. Maintenance free. Lifetime warranty on Timbren cushions."

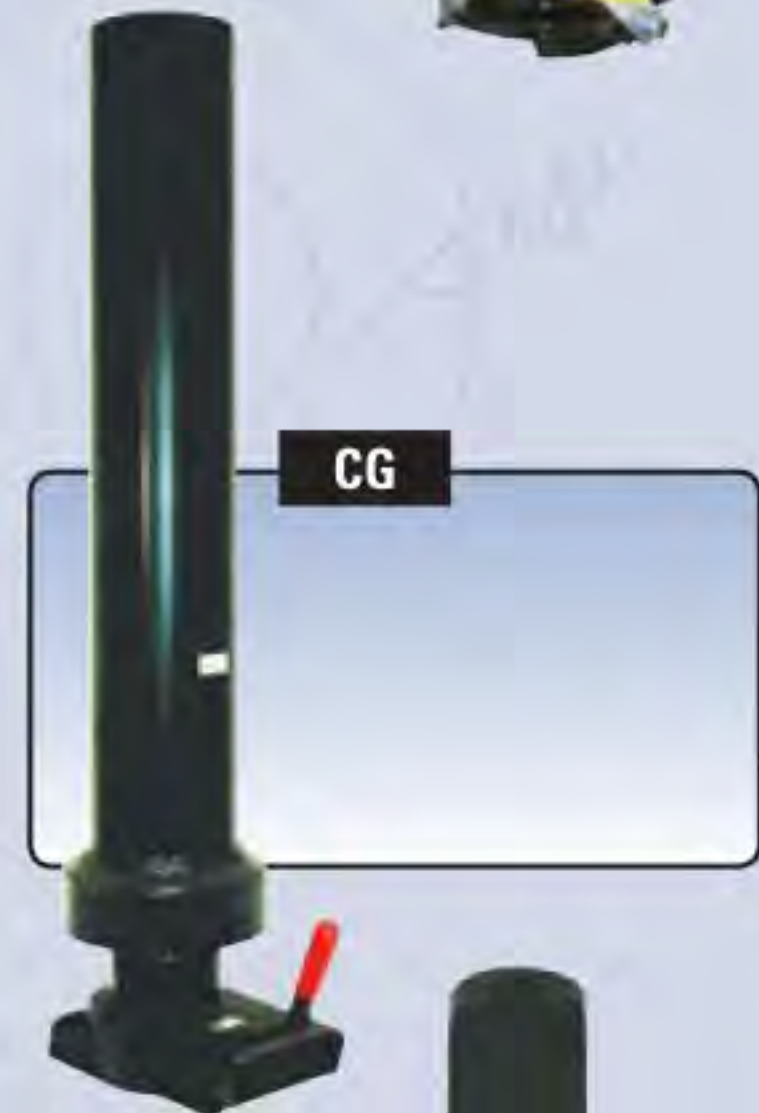
PART #	BALL SIZE	TUBE SIZE
CC2	2-5/16"	4.0" Round



### Cushioned Gooseneck Insert

30K Capacity. Same cushioning system as C5G. New patented positive lock coupler.

PART #	BALL SIZE	TUBE SIZE
CG	2-5/16"	4.0" Round



### Gooseneck To Kingpin Adapters

Allows Gooseneck Trailers to be pulled with Semi-Tractors. 30,000lb Trailer Rating. Standard S.A.E. king-pin with 10" round bolster plate fitted to 18" long square or round tube. Durable Black powder coat finish. Fits standard gooseneck trailer coupler tubes.

PART #	BALL SIZE	TUBE SIZE
GN5	2-5/16"	4.0" Round
GN6	2-5/16"	4.5" Square
GN7	2-5/16"	4.0" Square



## GOOSENECK ADAPTERS AND ACCESSORIES (Continued)



King Pin Gooseneck Couplers with Load Bearing Pin, meets SAE J2638 standard.

PART #	CAPACITY	OUTER TUBE SIZE	RETRACTED HEIGHT	ADJUSTMENT	TYPE
KP5G-R25	25K	4.50"	29.0"	8.0"	Round
KP5G-Q25	25K	4.50"	29.0"	8.0"	Square



### Kingpin Gooseneck

Allows gooseneck trailer to be towed with vehicles equipped with a fifth wheel hitch. Features dual set bolts. Round model features exclusive load bearing pin. Square model features load bearing pinch bolt.

PART #	CAP	HOLES	STYLE
0289640300	25.0K	4	Round
0289650300	30.0K	4	Square



### Kingpin To Gooseneck Adapters

The Ranch Hitch Adapter is the only 5th wheel to gooseneck adapter on the market that meets V19 Certification. The remote cable mechanism allows you to engage and release the coupler while standing on the ground. The 8" offset Ranch Hitch Adapter is designed for shortbed trucks towing fifth wheel trailers. Both models have 3" of adjustment.

PART #	BALL SIZE	CAPACITY	OFFSET
3100	2-5/16"	24.0K	n/a
3139	2-5/16"	24.0K	8.0"

Note: Adapter lock 3251-LOCK available. See details in Lock Section.



### Kingpin To Gooseneck Adapters

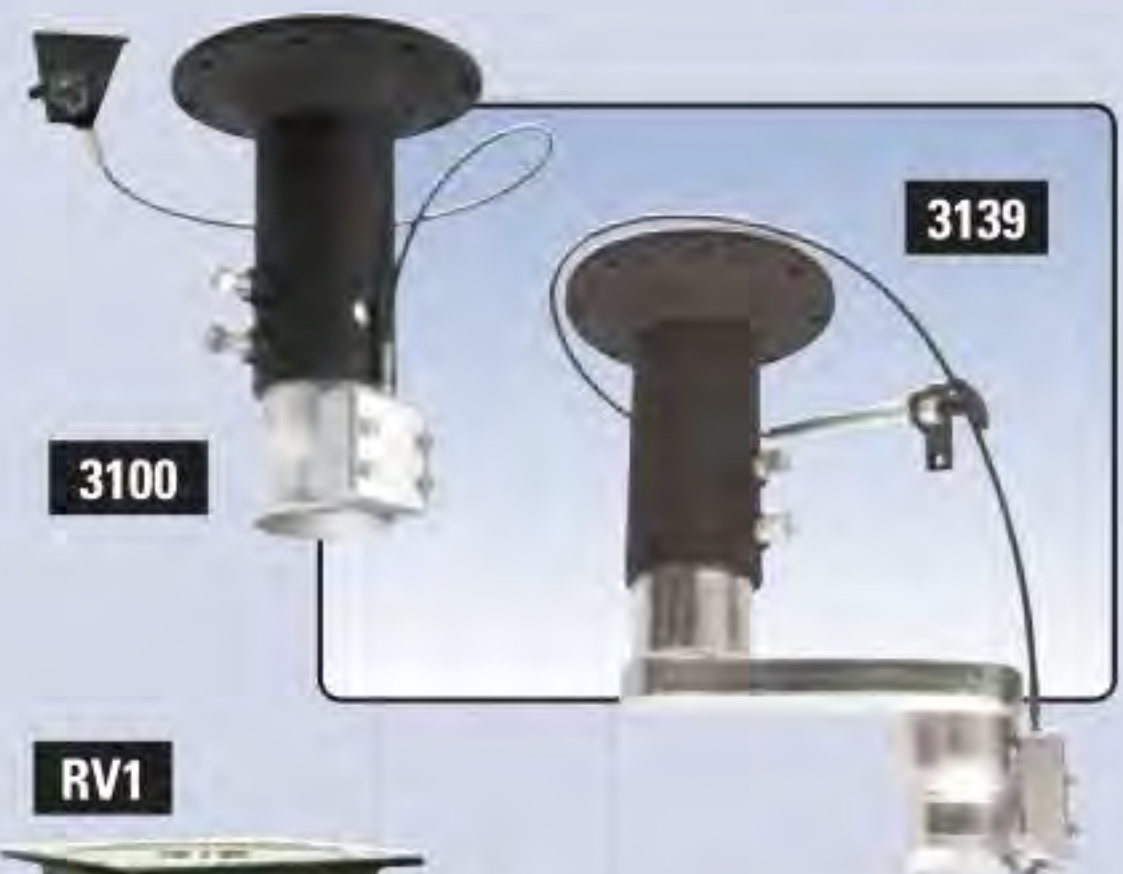
"24,000 lbs. Gross Trailer Weight. 6,000 lbs. Gross Tongue Weight. Each adapter is adjustable in height from 12.5" to 16.5" to accommodate different height trucks and trailers. Fits standard king-pin box. Self-latching GN8 2-5/16" coupler. Three different offsets for different applications. Durable Powder coated finish. Easy bolt-on installation."

PART #	BALL SIZE	OFFSET
RV1	2-5/16"	5.0"
RV2	2-5/16"	9.0"
RV3	2-5/16"	0"
RV4	2-5/16"	9.0"

Note: GN4 for use with flat bed trucks only. Fixed 7.5" rise.

### Extended Kingpin

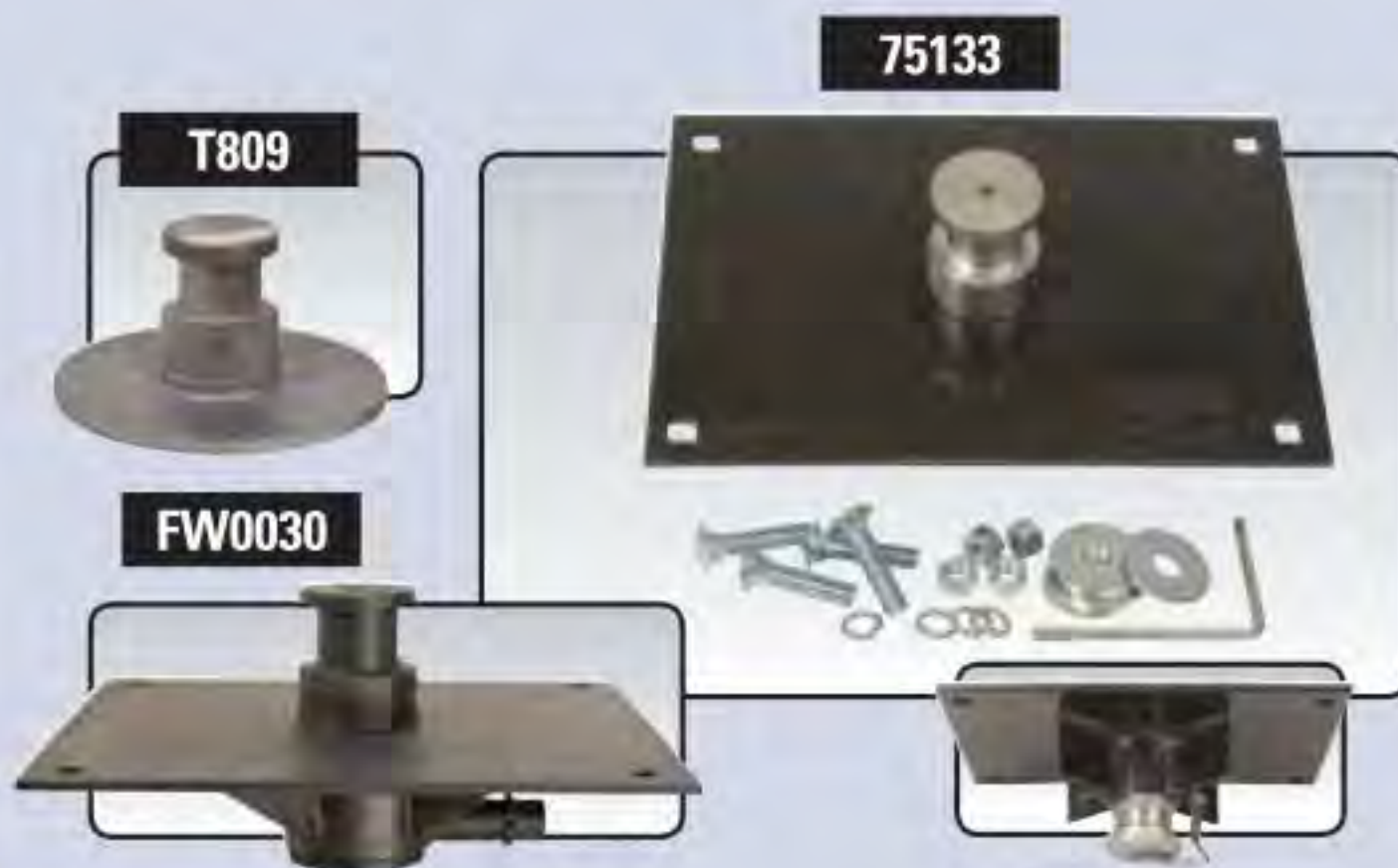
PART #	PIN SIZE	OFFSET
RV5	2"	10.0"





## Kingpins

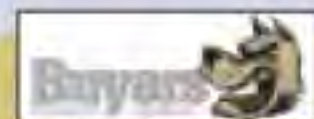
PART #	DESCRIPTION	BOLSTER PLATE THICKNESS
KP-T-809-F	2" SAE Kingpin, Holland	.38"
T809	2" SAE Kingpin, Buyers	.38"
KP20050	2" SAE Kingpin, Buyers	.50"
2084197	2" SAE Kingpin, Wallace	.625"
75133	2" Kingpin, Retractable Atwood	-
FW0030	2" Kingpin, Retractable Holland	-



## DRAWBARS, TOW RINGS & CLEVISSES

### Adjustable Tow Rings, 3" I.D.

PART #	DESCRIPTION	TRAILER GVW	MAX. VERTICAL
16137	7-Ton Cast Eye Only	12.0K	2.0K
18128	Adj. Eye Assy. w/ 3 Position Channel & Bolt Kit	12.0K	2.0K
18128XL	Adj. Eye Assy. w/ 5 Position Channel & Bolt Kit	12.0K	2.0K



### Heavy Duty Adjustable Tow Rings, 3" I.D.

PART #	DESCRIPTION	TRAILER GVW	MAX. VERTICAL
B16140	10-Ton Forged Eye Only	20.0K	2.0K
B20143	Adj. Eye Assy. w/ 3 Position Channel & Bolt Kit	20.0K	2.0K
B20145	Adj. Eye Assy. w/ 5 Position Channel & Bolt Kit	20.0K	2.0K
B9912	Heavy Duty 5-Position Channel w/Weld Gussets	n/a	n/a
B9021	Bolt & Nut Kit (2 Each) .625"-11 x 5" GR 8	n/a	n/a



## CHANNELS

PART #	DESCRIPTION
8978	3-Position Channel. Use With 16137, 8979 And 18078
8978XL	5-Position Channel. Use With 16137, 8979 And 18078
B9909	Heavy Duty 3-Position Channel w/Weld Gussets.
B9912	Heavy Duty 5-Position Channel w/Weld Gussets.
B9021	Bolt & Nut Kit (2 Each) .625"-11 x 5" GR 8



PART #	DESCRIPTION
CTA-CB4	3-position channel, use w/CV314-XTP and CV314-YTP
CTA-CB6	5 position channel, use w/CV314XTP and CV314-YTP
CTA-CB126	5-position channel, w/CTA-280



### Adjustable Clevis

PART #	PIN SIZE	INSIDE HEIGHT	5/8" BOLTS NEEDED	TRAILER GVW	MAX. VERTICAL
8979	.75"	2.0"	2	12K	2K
18078	1.0"	2.5"	3	20K	2K

AXLES & COMPONENTS

SUSPENSIONS & COMPONENTS

BRAKES & COMPONENTS

TIRES & WHEELS

FENDERS & BODY

JACKS & COUPLERS

BRAKE CONTROL SYSTEMS

TOWING & ACCESSORIES

MARINE COMPONENTS

HARDWARE & ACCESSORIES

AGRICULTURAL COMPONENTS

PAINT & LUBRICANTS

LIGHTS & ELECTRICAL

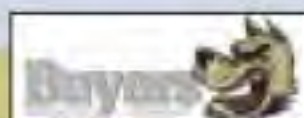
PACKAGED PRODUCTS

## BOLTS AND NUTS

PART #	DESCRIPTION
B9020	Bolt & Nut Kit (2 each) .625"-11 x 4.5". Use with 8978 and 8978XL Channels
9093	Bolt (Bulk) .625"-11 x 4.5"
10405	Nut (Bulk) .625" -11
B9021	Bolt & Nut Kit (2 each) .625"-11 x 5.0". Use with B9909 and B9912 Channels



## RIGID MOUNT TOW RINGS

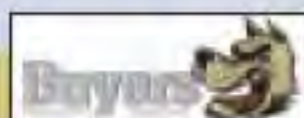


Steel draw bars designed to be welded into place.

PART #	INNER DIA.	TRAILER GVW	MAX. VERTICAL
LW10	2.5"	10.0K	1.0K
LW847	3.0"	n/a	n/a



## 4-BOLT MOUNT DRAWBARS



One piece alloy steel forging. Mounts on 4.5" square bolt pattern nose plates

PART #	I.D. EYE	MOUNTING HOLES	TRAILER GVW	MAX VERTICAL
BDB125015	2.5"	.625"	42K	7K
BDB1385	3.0"	.750"	60K	15K
BDB-1394	3.0"	.850"	90K	19K



PART #	I.D. EYE	MOUNTING HOLES	TRAILER GVW	MAX VERTICAL
DB1250-15	2.5"	.625"	40K	8K
DB1385	3.0"	.750"	60K	15K



## SWIVEL MOUNT TOW RINGS



PART #	I.D. EYE	TRAILER GVW	MAX. VERTICAL
BDB12503	2.5"	15K	3K
BDB12492H	3.0"	45K	9K



PART #	I.D. EYE	TRAILER GVW	MAX. VERTICAL
DB1250-3	2.5"	15K	3K



## Bolt-On Drawbars

Bolts on using seven grade 8, .625" mounting bolts.

PART #	I.D. EYE	MATERIAL	TRAILER GVW	MAX VERTICAL
BDB12281	2.5"	Forged Steel	20K	4K
BDB1238	3.0"	Forged Alloy Steel	22K	4.5K

