

Electric Brakes 2K - 7K C-3 thru C-5



Electric Brakes 8K - 16K C-6 thru C-8

Hydraulic Drum Brakes C-9 thru C-10

Kodiak Hydraulic Disc Brakes . C-11 thru C-16

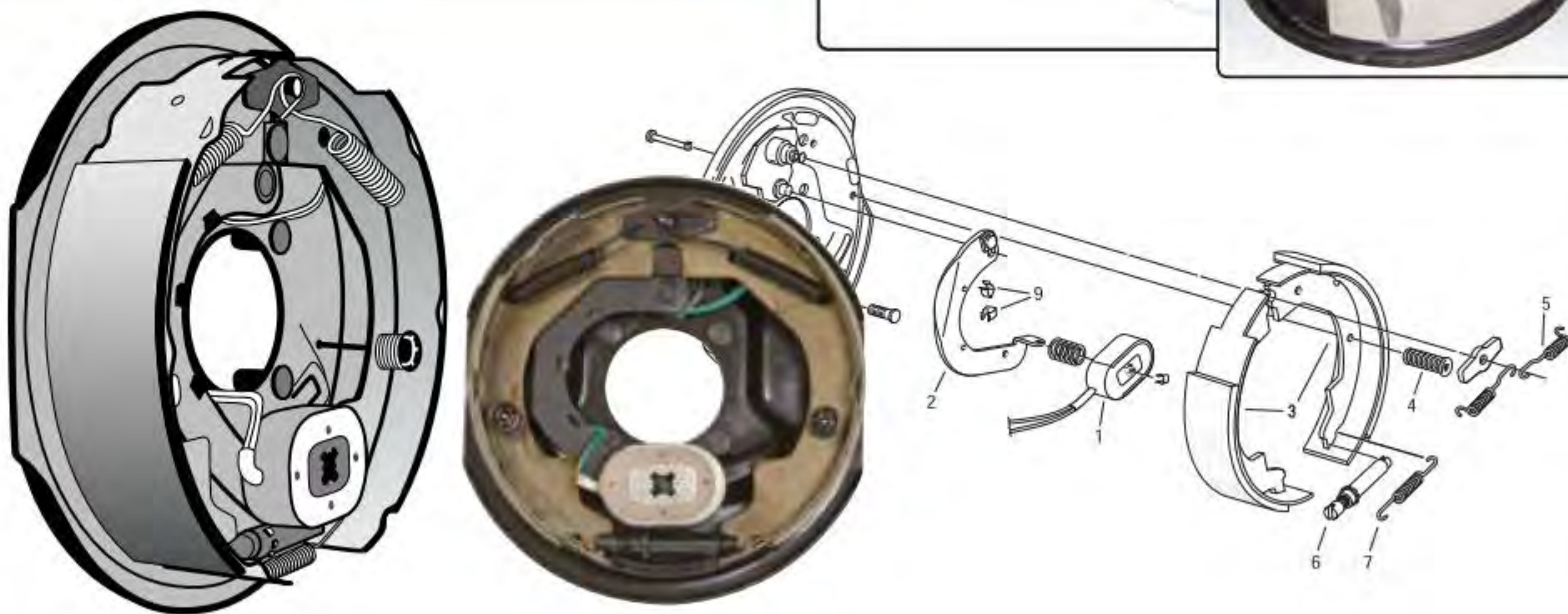
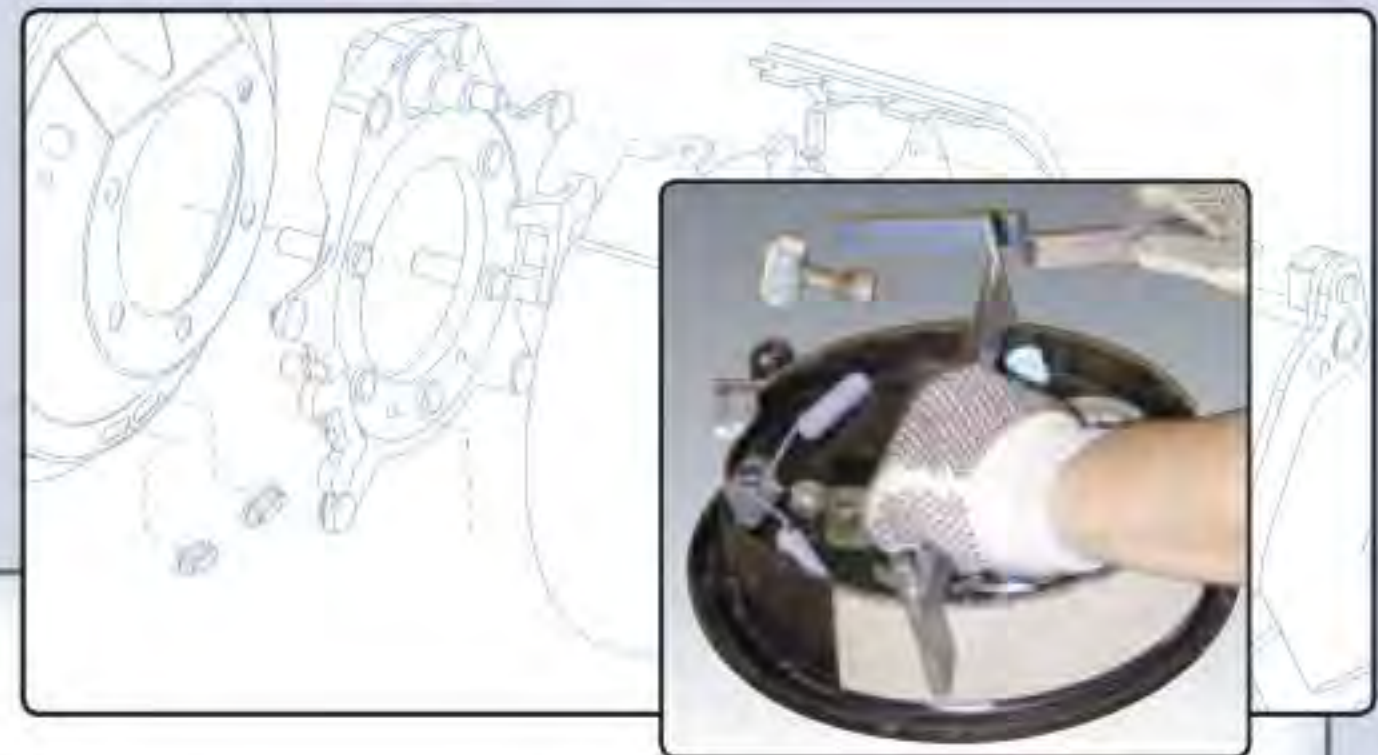
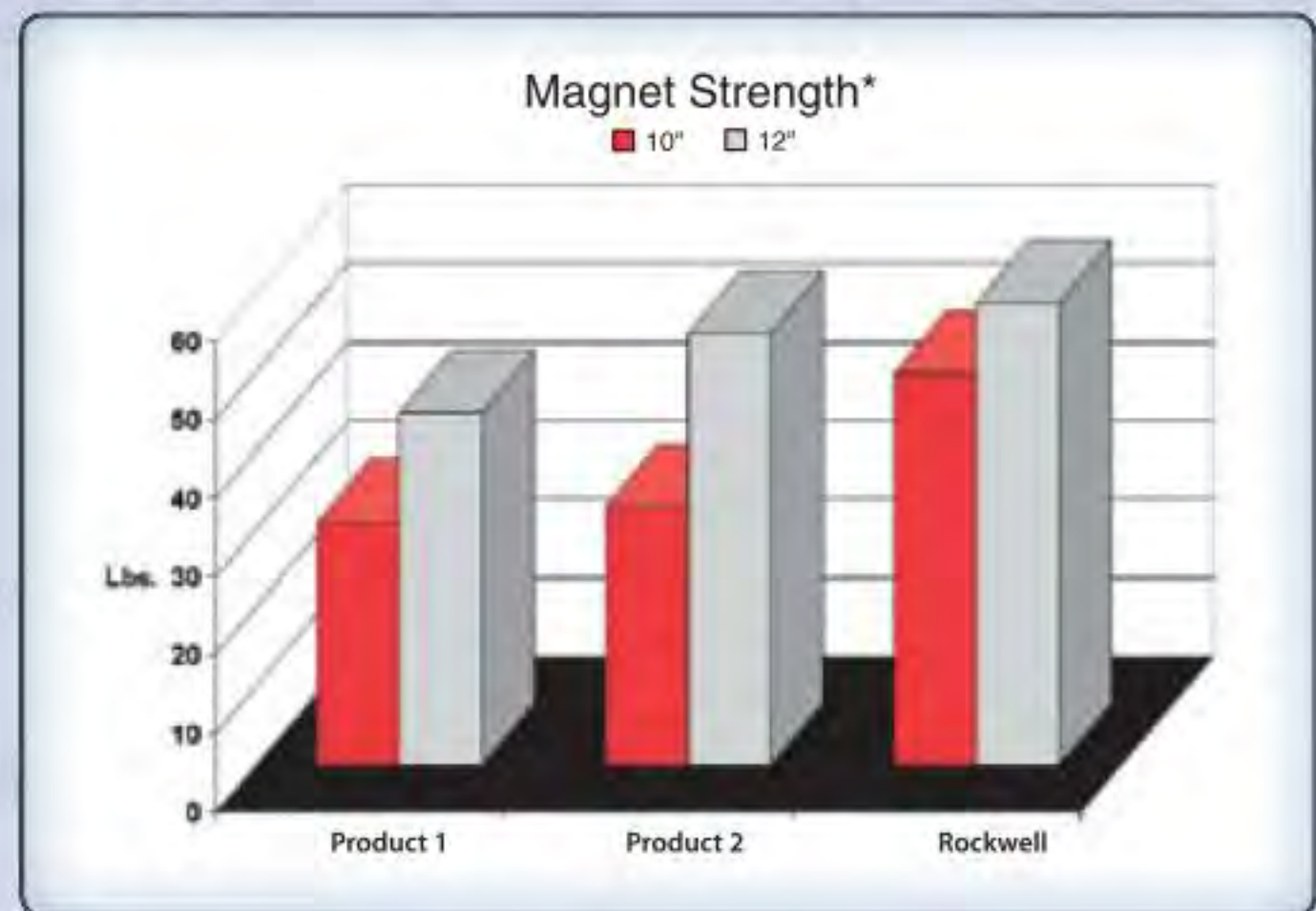


ROCKWELL AMERICAN HIGH-PERFORMANCE ELECTRIC BRAKE ASSEMBLIES



With years of research and experience behind the development, we have produced superior electric brake assemblies. The key to the improved braking ability of the Rockwell American electric brakes lies in the design of the magnet. The magnet generates substantially greater pulling power than others do at the same amperage. Additional features include shielding of the wires where they exit the magnet body and cross venting to dissipate heat and clean the armature surface.

What does this mean for you? It equates into a stronger brake with less amperage. Industry proven reliability features have been addressed as well, from the double retractor springs at the top to the under-mount adjuster spring on the bottom, this brake was designed for miles of worry free service. These are just a few reasons why, with a Rockwell American High-Performance electric brake, you can Stop With Confidence!



ELECTRIC BRAKES AND COMPONENTS



Left Hand Brake Assembly

ROCKWELL AMERICAN QUICK TIPS

How to Select Brake Parts

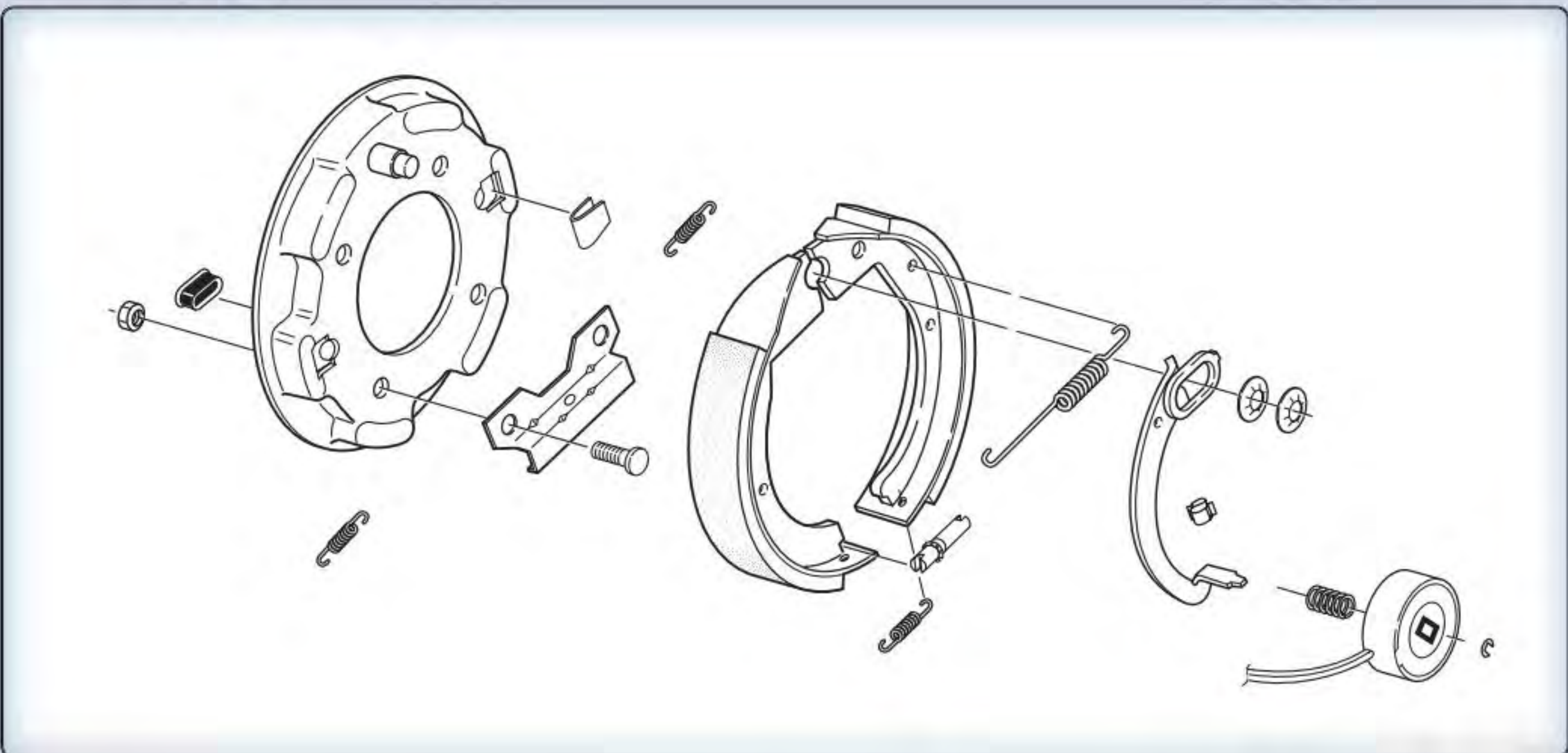
STEP 1: Determine your brake size by measuring the diameter of the brake shoe. It is also necessary to measure the width of the lining.

STEP 2: Determine the manufacturer of your brake. Some manufacturers put their name on the reverse side of the backing plate.

STEP 3: Compare the part you need with the exploded parts diagram until you find the part that matches yours.



Right Hand Brake Assembly

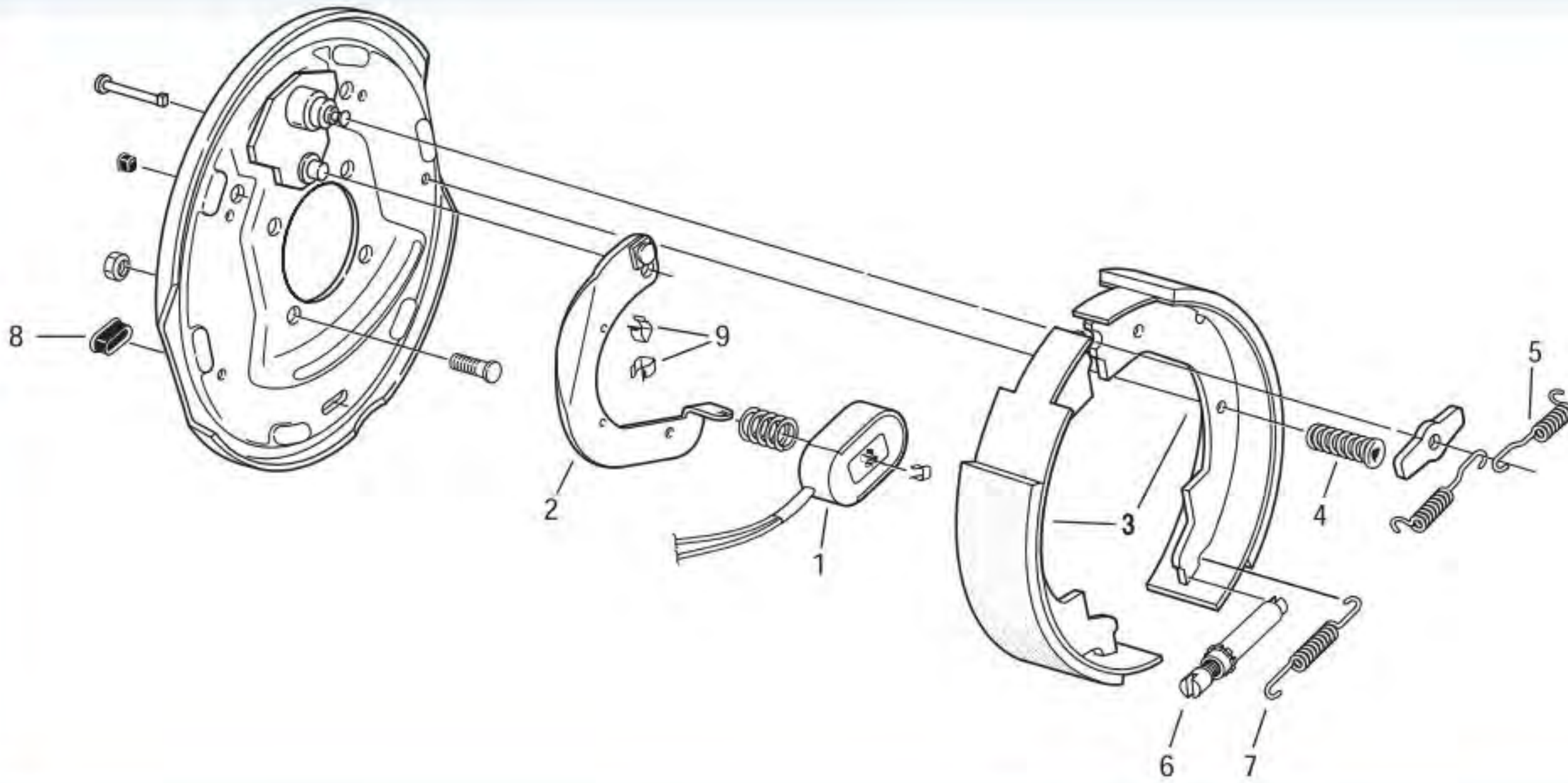


7" x 1.5" ELECTRIC BRAKE -2K

PART #	DESCRIPTION
4740-L	LH Brake Assembly
4740-R	RH Brake Assembly



BRAKES & COMPONENTS



10" x 2-1/4" ELECTRIC BRAKES - 3.5K



PART #	GROSS CAPACITY	DESCRIPTION
4701-L	3.5K	LH Brake Assembly - Bulk
4701-R	3.5K	RH Brake Assembly - Bulk
PP4701-L	3.5K	LH Brake Assy. - Retail Packaged
PP4701-R	3.5K	RH Brake Assy. - Retail Packaged
4701-LA	3.5K	LH Brake Assembly - Auto Adjusting
4701-RA	3.5K	RH Brake Assembly - Auto Adjusting
4701-LP	3.5K	LH Brake Assembly-Parking
4701-RP	3.5K	RH Brake Assembly-Parking



Left Hand Brake

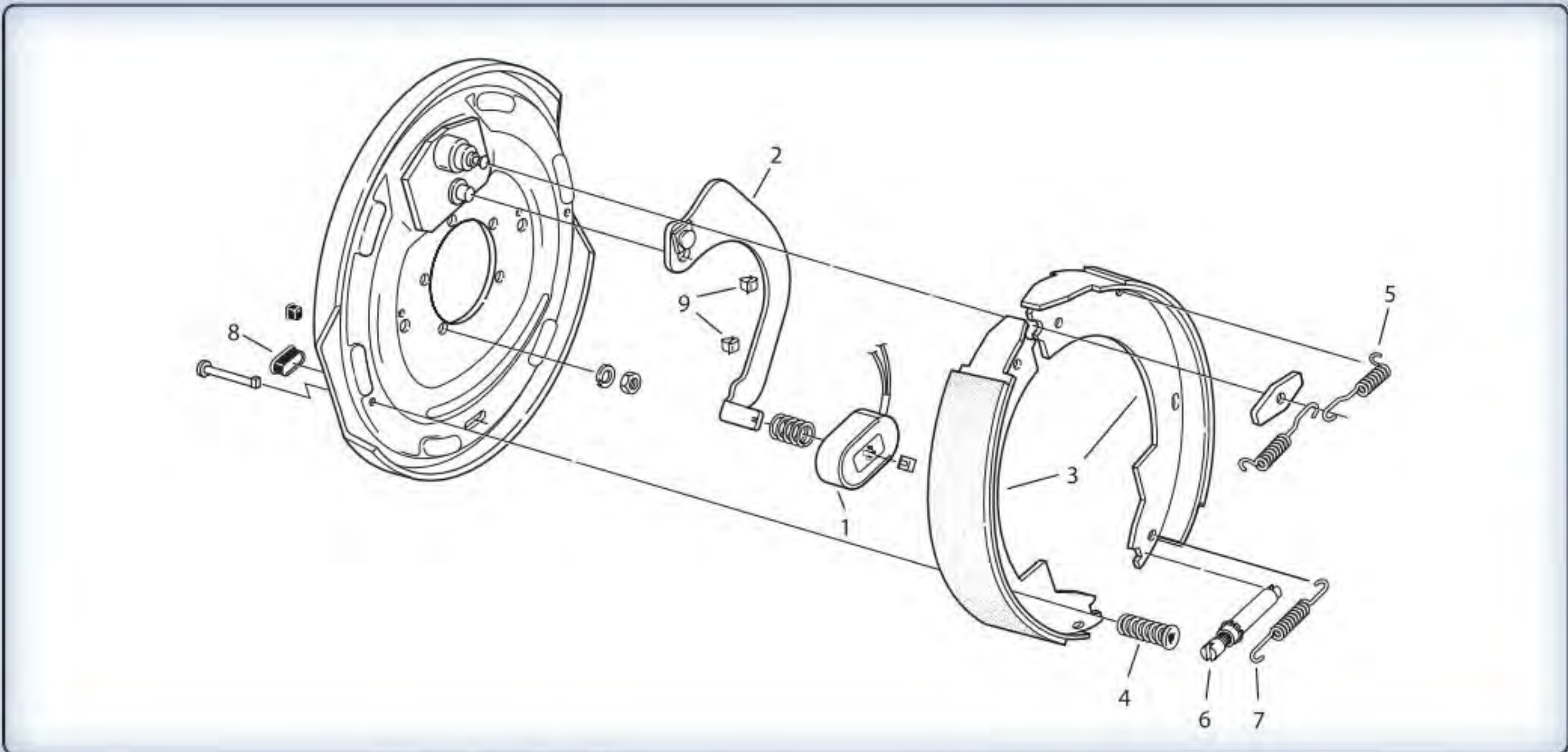


Right Hand Auto Adjusting Brake

Replacement Parts

PART #	DIA. #	DESCRIPTION	APPLICATIONS		
			ROCKWELL	DEXTER	AL-KO
PPBM10E	1	Magnet Kit, Green Wire	*	*	*
47023-P	Not Shown	Lever Assy. RH	*		*
47024-P	2	Lever Assy. LH	*		*
PPBSL10E	3	Shoe & Lining	*	*	*
BHD1012E	4	Shoe Hold Down Spring	*	*	*
47097	5	Shoe Retractor Spring	*		
47087	6	Adjuster Screw Assy.	*	*	*
47095-1	7	Adjuster Screw Spring	*	*	*
47098	8	Adjuster Dust Plug	*	*	*
47091	9	Magnet Wire Clip	*	*	*
PP1012EASK	4,5,6,7,8,& 9	Packaged Kit	*		

FRACTION	DECIMAL	FRACTION	DECIMAL	FRACTION	DECIMAL
1/16	.0625	3/8	.3750	11/16	.6875
1/8	.1250	7/16	.4375	3/4	.7500
3/16	.1875	1/2	.5000	13/16	.8125
1/4	.2500	9/16	.5625	7/8	.8750
5/16	.3125	5/8	.6250	15/16	.9375



12" x 2" ELECTRIC BRAKES - 7K



PART #	GROSS CAPACITY	DESCRIPTION
4704-L	7K	LH Brake Assembly - Bulk
4704-R	7K	RH Brake Assembly - Bulk
PP4704-L	7K	LH Brake Assy - Retail Packaged
PP4704-R	7K	RH Brake Assy - Retail Packaged
4704-LA	7K	LH Brake Assembly - Auto Adjusting
4704-RA	7K	RH Brake Assembly - Auto Adjusting
4704-LP	7K	LH Brake Assembly-Parking
4704-RP	7K	RH Brake Assembly-Parking



Left Hand Brake

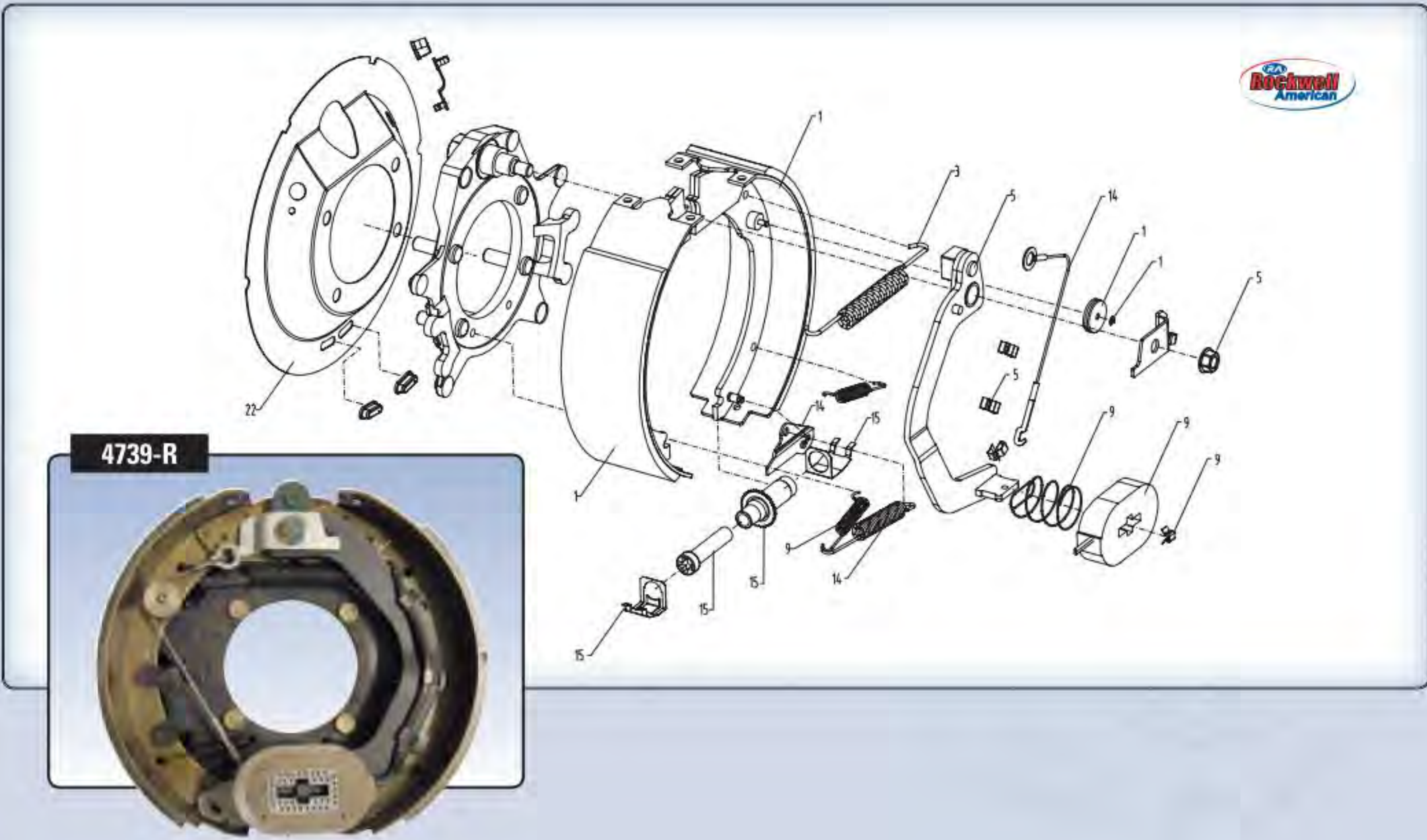


Left Hand Auto Adjusting Brake

Replacement Parts

PART #	DIA. #	DESCRIPTION	APPLICATIONS		
			ROCKWELL	DEXTER	AL-KO
PPBM12E	1	Magnet Kit, Green Wire	*	*	*
47023-P	2	Lever Assy. RH	*		*
47024-P	Not Shown	Lever Assy. LH	*		*
PPBSL12E	3	Shoe & Lining	*	*	*
BHD1012E	4	Shoe Hold Down Spring	*	*	*
47097	5	Shoe Retractor Spring	*		
47087	6	Adjuster Screw Assy.	*	*	*
47095-1	7	Adjuster Screw Spring	*	*	*
47098	8	Adjuster Dust Plug	*	*	*
47091	9	Magnet Wire Clip	*	*	*
PP1012EASK	4,5,6,7,8,& 9	Packaged Kit	*		

- AXLES & COMPONENTS
- SUSPENSIONS & COMPONENTS
- BRAKES & COMPONENTS**
- TIRES & WHEELS
- FENDERS & BODY
- JACKS & COUPLERS
- BRAKE CONTROL SYSTEMS
- TOWING & ACCESSORIES
- MARINE COMPONENTS
- HARDWARE & ACCESSORIES
- AGRICULTURAL COMPONENTS
- PAINT & LUBRICANTS
- LIGHTS & ELECTRICAL
- PACKAGED PRODUCTS



Right Hand Brake Shown

12" x 3-1/2" ELECTRIC BRAKES - 8K

12" x 3-3/8" ELECTRIC BRAKES - 8K

PART #	GROSS CAPACITY	DESCRIPTION
4739-L	8.0K	LH Brake Assembly, Auto Adjust - Bulk
4739-R	8.0K	RH Brake Assembly, Auto Adjust - Bulk

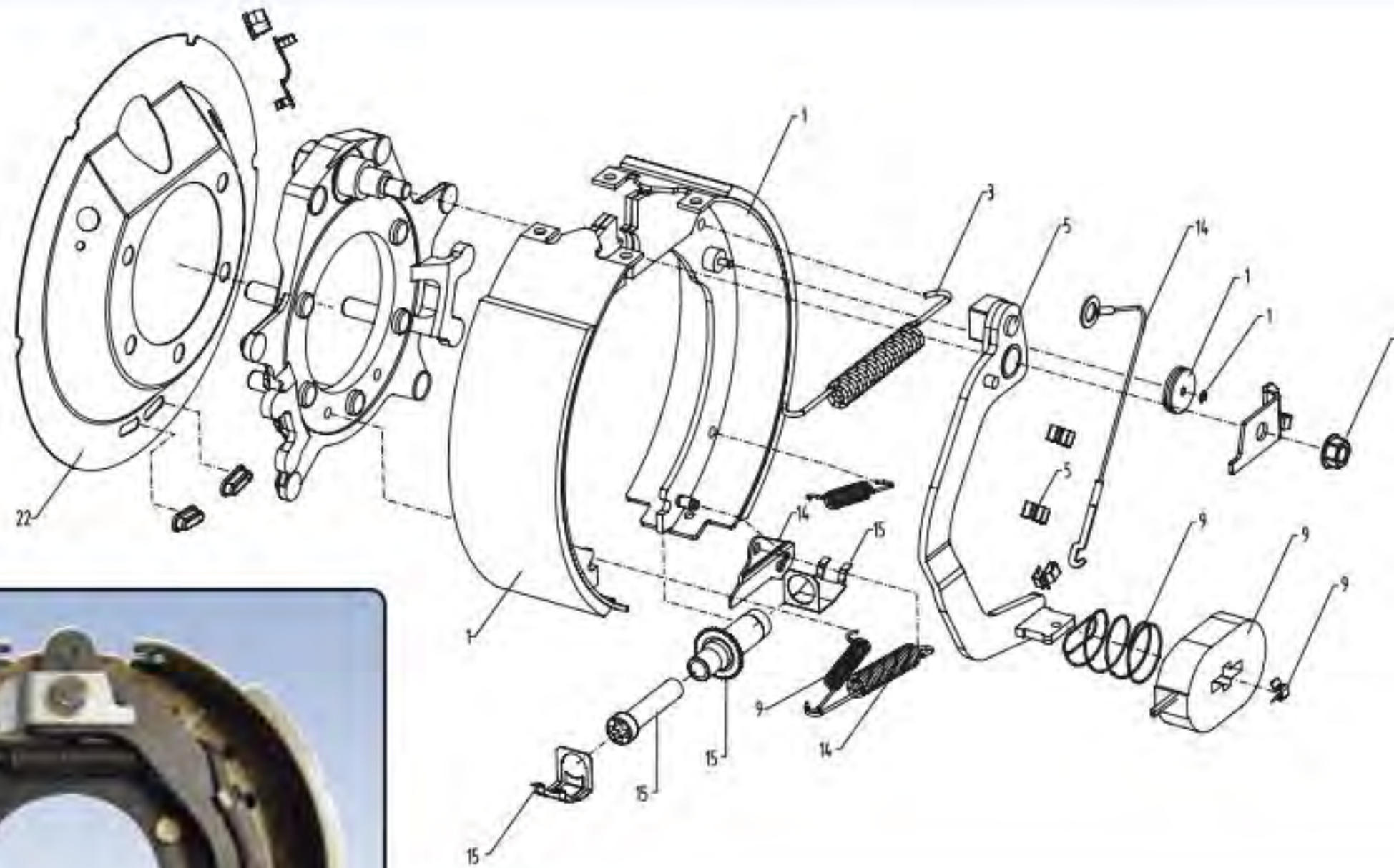
PART #	GROSS CAPACITY	DESCRIPTION
363601	8.0K	LH Brake Assembly, Auto Adjust - Bulk
363602	8.0K	RH Brake Assembly, Auto Adjust - Bulk

Replacement Parts

PART #	DIA. #	DESCRIPTION
4737-2	1	Shoe & Lining, LH 8K
4737-3	-	Shoe & Lining, RH 8K
4738-5	5	Actuating Arm Assy., LH - Arm Assy., 3 Wire Clip, 2 Lock Nut
4738-6	-	Actuating Arm Assy., RH - Arm Assy., 3 Wire Clip, 2 Lock Nut
4738-7	3	Retract Spring Upper
4738-8	9	Retract Spring Lower
4738-11	15	Adjuster Assy., LH - Thread End Clip, Barrel End Clip, Screw Assy.
4738-12	-	Adjuster Assy., RH - Thread End Clip, Barrel End Clip, Screw Assy.
4738-13	14	Adjuster Lever, LH Lever Spring, Cable, Lever
4738-14	-	Adjuster Lever, RH Lever Spring, Cable, Lever
4738-23	15	Magnet Kit (includes magnet, retainer clip & spring)
4738-83	7	Adj. Cable
4737-1	22	Dust Shield, 8K



Right Hand Brake Shown



4738-R



Right Hand Brake

12-1/4" x 3-1/2" ELECTRIC BRAKE - 10K



PART #	GROSS CAPACITY	DESCRIPTION
4738-L	10K	LH Brake Assembly, Auto Adjust - Bulk
4738-R	10K	RH Brake Assembly, Auto Adjust - Bulk

12-1/4" x 3-1/2" ELECTRIC BRAKE - 9K, 10K & 12K

PART #	GROSS CAPACITY	DESCRIPTION
568255.2	10K-12K	LH Brake Assembly, Auto Adjust - Bulk
568255.1	10K-12K	RH Brake Assembly, Auto Adjust - Bulk



Replacement Parts

PART #	DIA. #	DESCRIPTION
4738-2	1	Shoe & Lining, L.H. 10K
4738-3	-	Shoe & Lining, R.H. 10K
4738-5	5	Actuating Arm Assy., LH - Arm Assy, 3 Wire Clip, 2 Lock Nut
4738-6	-	Actuating Arm Assy., RH - Arm Assy, 3 Wire Clip, 2 Lock Nut
4738-7	3	Retract Spring Upper
4738-8	9	Retract Spring Lower
4738-11	15	Adjuster Assy., LH - Thread End Clip, Barrel End Clip, Screw Assy
4738-12	-	Adjuster Assy., RH - Thread End Clip, Barrel End Clip, Screw Assy
4738-13	14	Adjuster Lever, LH Lever Spring, Cable, Lever
4738-14	-	Adjuster Lever, RH Lever Spring, Cable, Lever
4738-23	15	Magnet Kit (Includes Magnet, Retainer Clip & Spring)
4738-83	7	Adj. Cable
4738-1	22	Dust Shield 10K

568255.1



Right Hand Brake

FRACTION TO DECIMAL CONVERSION CHART

FRACTION	1/16	1/8	9/64	5/32	3/16	11/64	13/64	1/4	5/16	3/8	7/16	1/2	9/16	5/8	11/16	3/4	13/16	7/8	15/16
DECIMAL	.0625	.1250	.140625	.15625	.1875	.171875	.203125	.2500	.3125	.3750	.4375	.5000	.5625	.6250	.6875	.7500	.8125	.8750	.9375

AXLES & COMPONENTS

SUSPENSIONS & COMPONENTS

BRAKES & COMPONENTS

TIRES & WHEELS

FENDERS & BODY

JACKS & COUPLERS

BRAKE CONTROL SYSTEMS

TOWING & ACCESSORIES

MARINE COMPONENTS

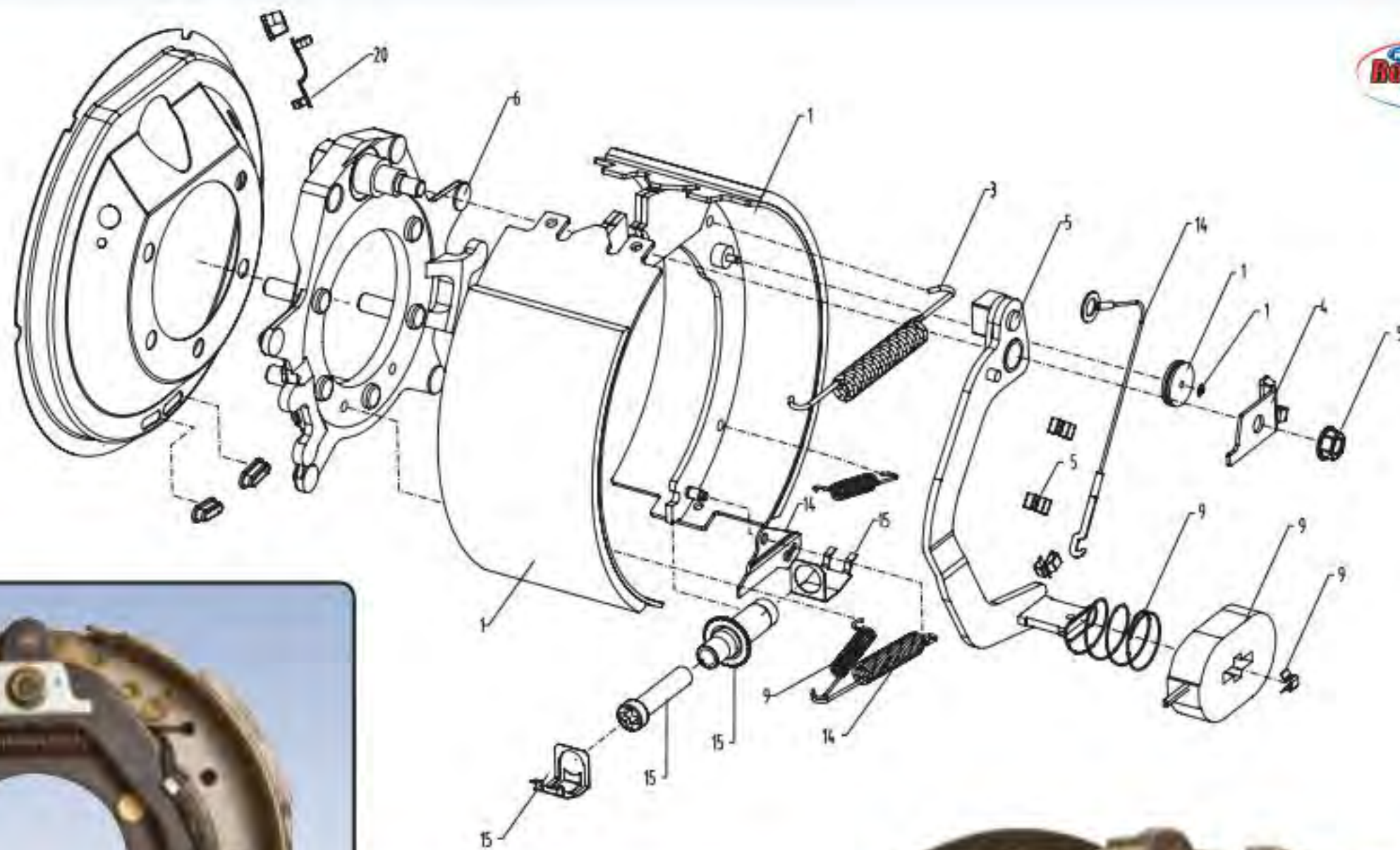
HARDWARE & ACCESSORIES

AGRICULTURAL COMPONENTS

PAINT & LUBRICANTS

LIGHTS & ELECTRICAL

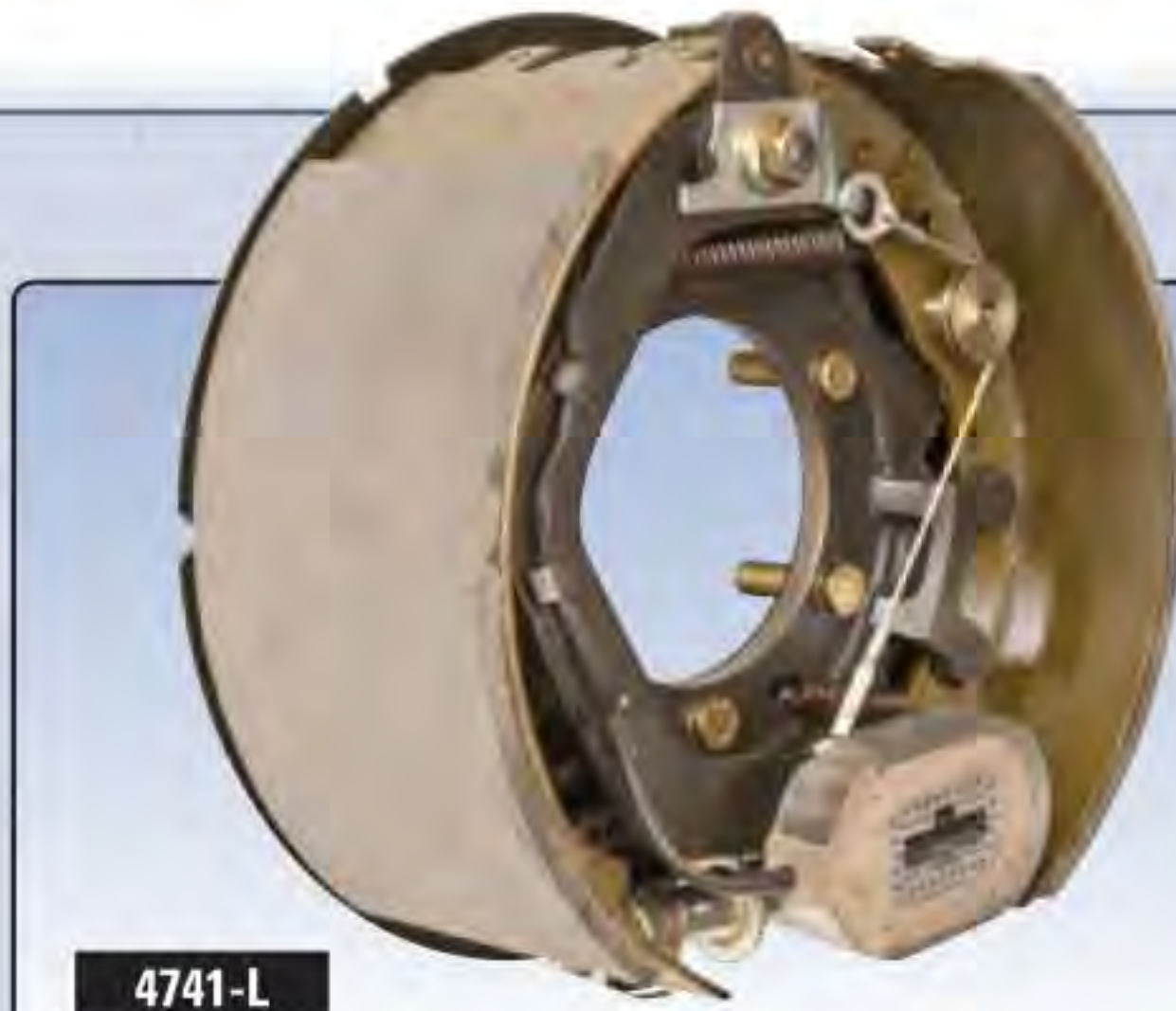
PACKAGED PRODUCTS



4741-R



Right Hand Brake Shown



4741-L

12-1/4" x 5" ELECTRIC BRAKE - 12K-16K



PART #	GROSS CAPACITY	DESCRIPTION
4741-L	10K	LH Brake Assembly, Auto Adjusting
4741-R	10K	RH Brake Assembly, Auto Adjusting



Replacement Parts

PART #	DIA. #	SIDE
4741-2	1	Shoe & Lining, LH 12K & 16K
4741-3	-	Shoe & Lining, RH 12K & 16K
4738-5	5	Actuating Arm Assy., LH - Arm Assy, 3 Wire Clip, 2 Lock Nut
4738-6	-	Actuating Arm Assy., RH - Arm Assy, 3 Wire Clip, 2 Lock Nut
4738-7	3	Retract Spring Upper
4738-8	9	Retract Spring Lower
4738-11	15	Adjuster Assy., LH - Thread End Clip, Barrel End Clip, Screw Assy
4738-12	-	Adjuster Assy., RH - Thread End Clip, Barrel End Clip, Screw Assy
4738-13	14	Adjuster Lever, LH Lever Spring, Cable, Lever
4738-14	-	Adjuster Lever, RH Lever Spring, Cable, Lever
4738-23	15	Magnet Kit (Includes Magnet, Retainer Clip & Spring)
4738-83	7	Adj. Cable

FRACTION TO DECIMAL CONVERSION CHART

FRACTION	1/16	1/8	9/64	5/32	3/16	11/64	13/64	1/4	5/16	3/8	7/16	1/2	9/16	5/8	11/16	3/4	13/16	7/8	15/16
DECIMAL	.0625	.1250	.140625	.15625	.1875	.171875	.203125	.2500	.3125	.3750	.4375	.5000	.5625	.6250	.6875	.7500	.8125	.8750	.9375

HYDRAULIC DRUM BRAKES AND COMPONENTS



Uniservo Left Hand Brake

ROCKWELL AMERICAN QUICK TIPS

How to Select Brake Parts

STEP 1: Determine your brake size by measuring the diameter of the brake shoe. It is also necessary to measure the width of the lining.

STEP 2: Determine the manufacturer of your brake. Some manufacturers put their name on the reverse side of the backing plate.

STEP 3: Compare the part you need with the exploded parts diagram until you find the part that matches yours.



Free Backing Right Hand Brake Shown

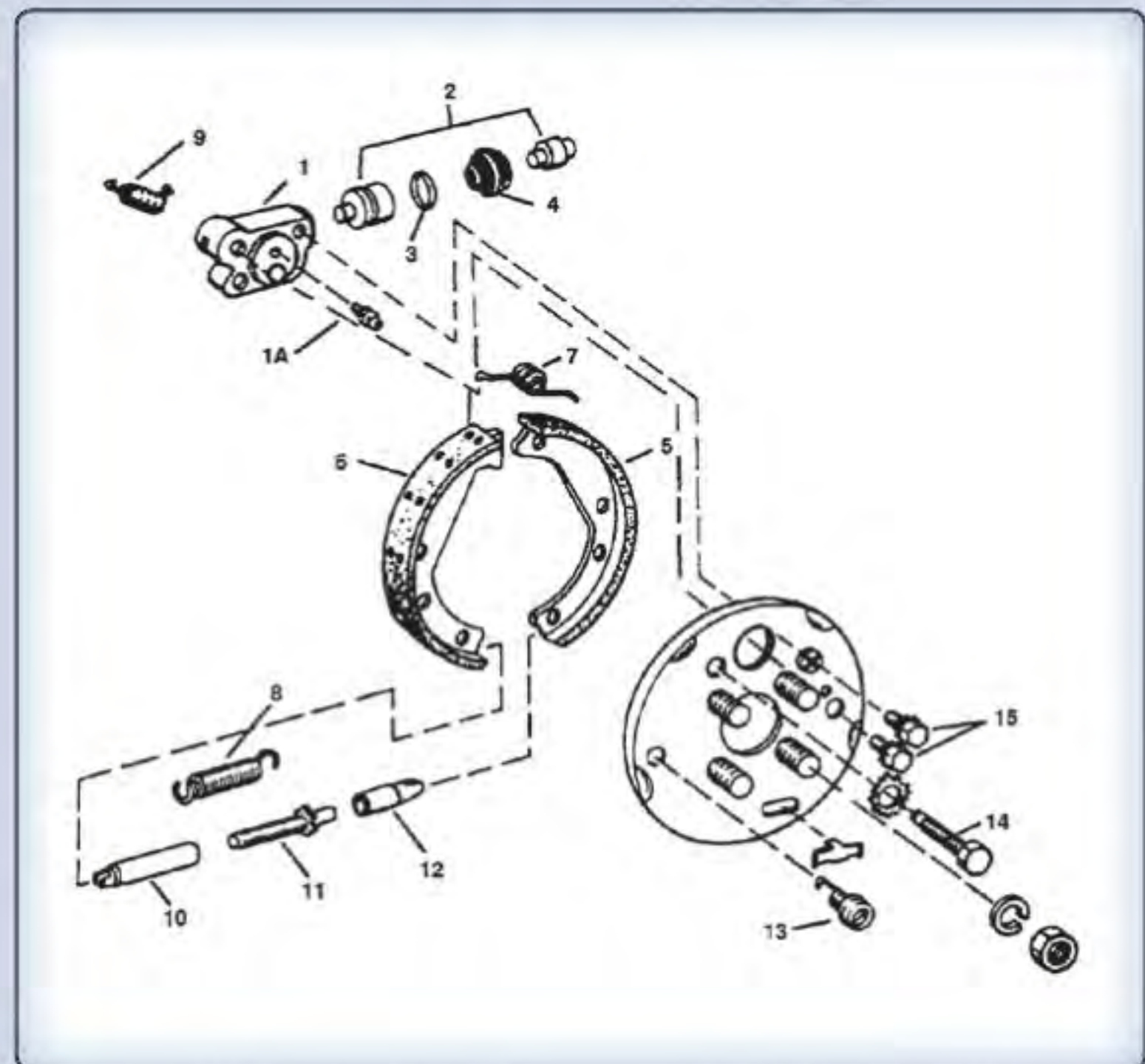
7" x 1.75" HYDRAULIC BRAKE - 2.2K



PART #	DESCRIPTION
4712-L	LH Brake Assembly, Uniservo
4712-R	RH Brake Assembly, Uniservo



Right Hand Brake



Replacement Parts

PART #	DIAGRAM #	DESCRIPTION
84210	1, 1A, 14, 15	Wheel Cylinder Kit - For One Axle (1 Wheel Cylinder - RH, 1 Wheel Cylinder - LH, 2 Bleeder Nuts, 4.3125" - 18 x .75" Cap Screw, 2.3125" - 18 Flat Head Screw)
19861	5, 6	Shoe And Lining Kit - For One Axle (2 Primary Shoes With Lining, 2 Secondary Shoes With Lining)
23400	7, 8, 9, 13	Spring Kit - For One Axle (2 Adjusting Screw Springs, 2 Secondary Retractor Springs, 1 Torsion Spring - RH, 1 Torsion Spring - LH, 4 Shoe Hold Down Springs)
18191	-	Dust Clip
23401	10, 11, 12	Adjusting Screw, Pivot Socket And Nut Assembly (1 Nut And Socket, 1 Pivot Socket)

10" X 2.25" HYDRAULIC DRUM BRAKE - 3.5K

PART #	DESCRIPTION
4710-L	LH, Uniservo
4710-R	RH, Uniservo
40716	LH, Freebacking
40715	RH, Freebacking
44454	LH, Uniservo Premier
44453	RH, Uniservo Premier
44235	LH, Freebacking Premier
44234	RH, Freebacking Premier

Note: 3,500 lb. capacity per pair.
Parking Brake feature available by special order.



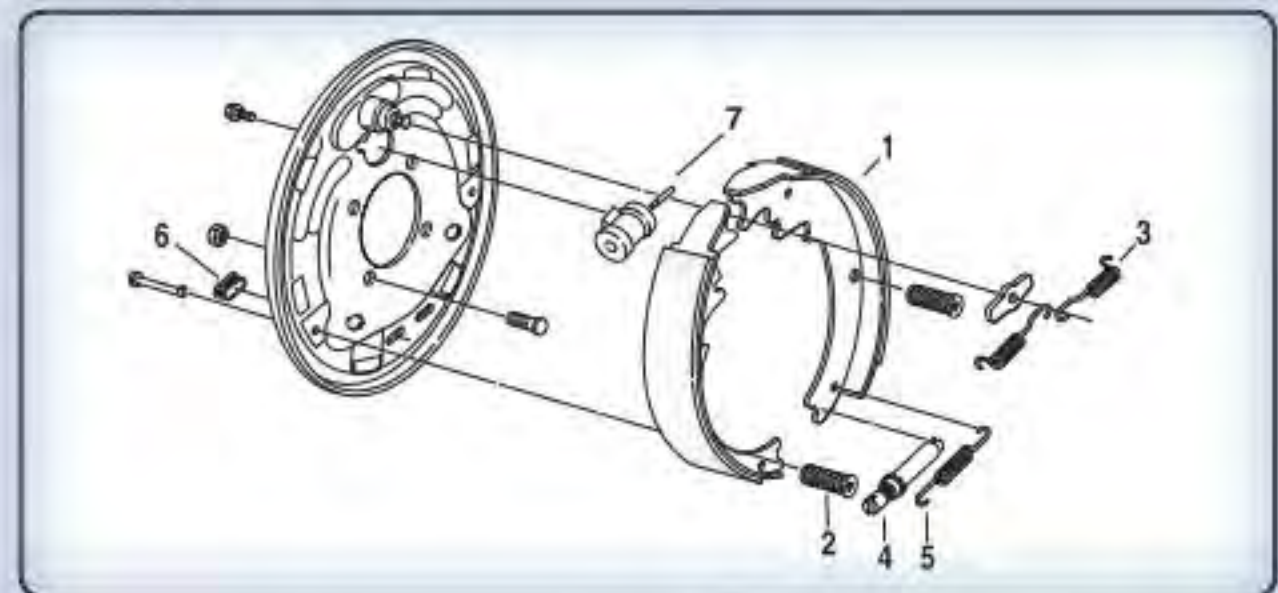
Uniservo LH Brake



Uniservo Freebacking RH Brake

Replacement Parts

PART #	DIAG. #	DESCRIPTION	APPLICATION			
			10"	10" FREE	10" PREMIER	10" FREE/PRE
BSL10H	1	Shoe And Lining	✓			
BSL10H-F	-	Shoe And Lining		✓		
BSL10H-P	-	Shoe And Lining			✓	
BSL10H-FP	-	Shoe And Lining				✓
BHD10H	2	Shoe Hold Down Spring	✓			
BHD10H-F	-	Shoe Hold Down Spring		✓		
BRS10H	3	Shoe Return Spring	✓			
BRS10H-F	-	Shoe Return Spring		✓		
BRS10H-P	-	Shoe Return Spring			✓	
BAS10H	4	Adjuster Screw Assembly	✓	✓		
BAS10H-FP	-	Adjuster Screw Assembly			✓	✓
BA10H	5	Adjuster Screw Spring	✓	✓		
BA10H-FP	-	Adjuster Screw Spring			✓	✓
BDP1012EH	6	Adjuster Dust Plug	✓	✓	✓	✓
BWCB1012H	-	Wheel Cylinder Rebuild Kit	✓	✓	✓	✓
BWC1012H-R	7	Wheel Cylinder, RH	✓	✓		
BWC1012H-L	7	Wheel Cylinder, LH	✓	✓		



12" x 2" HYDRAULIC DRUM BRAKE - 5.2K & 6K

PART #	DESCRIPTION
4711-L	LH, Uni-servo
4711-R	RH, Uni-servo
23491	LH, Duo-servo
23490	RH, Duo-servo
42029	LH, Freebacking
42028	RH, Freebacking
44896	LH, Freebacking Premier
44895	RH, Freebacking Premier

Note: 5,200 lb. capacity per pair.
Parking Brake feature available by special order.



Uniservo LH Brake



Freebacking LH Brake

Replacement Parts - 12" x 2" Hydraulic Drum Brake - Dico

PART #	DIAG. #	DESCRIPTION	APPLICATION		
			12"	12" FREE	12" FREE/PRE
BSL12H	1	Shoe And Lining	✓		
BSL12H-F	-	Shoe And Lining		✓	
BSL12H-FP	-	Shoe And Lining			✓
BHD12H	2	Shoe Hold Down Spring	✓		
BHD12H-F	-	Shoe Hold Down Spring		✓	
BHD12H-FP	-	Shoe Hold Down Spring			✓
BRS12H	3	Shoe Return Spring	✓		
BRS12H-F	-	Shoe Return Spring		✓	
BRS12H-FP	-	Shoe Return Spring			✓
BAS12H-F	4	Adjuster Screw Assembly	✓	✓	✓
BA12H	5	Adjuster Screw Spring	✓	✓	
BA12H-FP	-	Adjuster Screw Spring			✓
BDP1012EH	6	Adjuster Dust Plug	✓	✓	✓
BWCB1012H	-	Wheel Cylinder Rebuild Kit	✓	✓	✓
BWC1012H-R	7	Wheel Cylinder, RH	✓	✓	
BWC1012H-L	7	Wheel Cylinder, LH	✓	✓	

KODIAK HYDRAULIC DISC BRAKES



We are proud to offer Kodiak Disc Brakes for our 2K through 14K axles. We offer two types of Rotor styles: Integral and Slip On, with several Corrosion protection options.

We offer a complete line of replacement brake parts, extended replacement studs, and hubs with extended studs that may be needed to mount the rotor. Contact your local branch for information and details.

Integral (One Piece) Hub And Rotor

In this type, the rotor and hub are cast as a single unit. Wheel studs and bearing races are pressed into the hub.

- Hub and rotor are machined together. This minimizes rotor run-out.
- Hub and rotor are balanced as one unit, which offers a smoother ride.
- Simpler and easier to install when retro-fitting and/or upgrading from drum brakes.

Rotor Only (Slip On)

This type of rotor typically fits over a standard idler hub. Wheel studs are pressed into the hub only. The rotor is frequently wheel bolt piloted and is a loose fit on the hub. It is held in place by the wheel/wheel nuts.

- Removal of the rotor can be accomplished with little effort once the wheel and caliper have been removed.
- If either the rotor or the hub requires replacement, the good component can be retained and re-installed, while the faulty components are replaced. With an integral (one piece) rotor/hub, the complete unit must be replaced.
- Installation of an "over the hub" rotor effectively increases the overall hub face to hub face dimension by approximately .5".
- Wheel bolt thread length should be a consideration when installing an "over the hub" rotor.
- Easy to convert an idler axle to a disc brake axle with an "over the hub" rotor.

Corrosion Protection Options

Corrosion Resistance is important on all types of trailers and of major consideration in salt water or other corrosive environments.

Kodiak pioneered the use of brass fittings, stainless steel guide bolts and sleeves, and stainless steel pistons as standard items in trailer disc brake calipers.

Kodiak rotors are offered with an automotive finish (as machined), E-coated, dacromet plated, and stainless steel (not available in integral hub/rotors).

At a minimum, all Kodiak caliper castings and caliper mounting brackets are e-coated with options for dacromet coating or an all stainless steel product.

Note: On a stainless steel caliper, all parts are stainless steel except for the fittings, which are brass, and the backing plate on the friction pads, which is zinc plated carbon steel.



The standard Automotive finish offers the least protection (i.e., during a standard salt spray test, rust will begin forming in less than 10 hours). Note: We do not stock the standard Automotive finish (uncoated) brakes but they are available on a special order basis.



Dacromet coating offers the best value of protection for salt water applications (i.e., during a standard salt spray test, rust will begin forming between 400 and 600 hours).



E-coating offers the best value of protection for over the road use and for fresh water marine (or limited salt water) applications (i.e., during a standard salt spray test, rust will begin forming between 200 and 300 hours).



All stainless steel offers the ultimate corrosion protection in salt water marine applications (i.e., negligible rust will form during a 1000 hour standard salt spray test).

2,000 LB. Axle Hydraulic Disc Brakes

2,000 LB disc brakes are "Inboard Mount" for clearance when used with 10" - 13" wheels. A brake flange welded to the axle beam in the appropriate location is required to mount the caliper.

PART #	SIZE	DESCRIPTION
2/RCMHS-8-2-E	8"	Integral Hub, 5 On 4.5", E-Coat, Pair
2/RCMHS-8-2-DAC	8"	Integral Hub, 5 On 4.5", Dacromet-Coat, Pair



2/RCMHS-8-2-DAC



2/RCMHS-8-2-E



- A new milestone in corrosion protection for the trailer brake industry.
- Bridges the gap in Corrosion Protection between dacromet coating (maximum expected results = approximately 600-800 salt spray hours per ASTM B117) and stainless steel (zero adverse effects due to salt water corrosion).
- Patented technology.
- Samples exceed 2000 hours salt spray test with only minor evidence of red rust.
- Competitively priced.
- Available for 3500#, 5200# and 6000# axles.
- Ceramic pads with stainless steel backing plates
- Dacromet coated mounting brackets

3,500 LB. Axle Hydraulic Disc Brakes

3,500 LB disc brakes are offered as "Inboard Mount" for clearance when used with 10" - 13" wheels and standard mount for wheels 14" and larger. A brake flange welded to the axle beam in the appropriate location is required to mount the caliper.

PART #	SIZE	DESCRIPTION
2/RCMHS-8-3-E	8"	Integral Hub, 5 On 4.5", E-Coat, Pair, 10"-13" Wheel
2/RCMHS-8-3-DAC	8"	Integral Hub, 5 On 4.5", Dacromet-Coat, Pair, 10"-13" Wheel
2/HRCM-10-E	10"	Integral Hub, E-Coat, Pair
2/RCM-10-SB-DAC	10"	Rotor, Dacromet, Lightweight, Pair
2/HRCM-10-DAC	10"	Integral Hub, Dacromet, Pair
2/HRCM-10-DAC-SS	10"	Integral Hub, Stainless Calipers, Dacromet Rotors, & Mntg Brkts, Pair
2/RCM-10-E	10"	E-Coat, Pair
2/RCM-10-DAC	10"	Dacromet-Coat, Pair
2/RCM-10-DAC-SS	10"	Stainless Calipers, Dacromet Rotors, & Mntg Brkts, Pair
2/RCM-10-SS	10"	Stainless Rotors, Calipers & Mntg Brkts, Pair
2/HRCM-10-DAC-KG	10"	Kodaguard, Pair
2/RCM-10-DAC-KG	10"	Integral Hub, Kodaguard, Pair

3,500 lb. Hydraulic Disc Brakes are only available in 5 on 4.5" bolt pattern.



2/HRCM-10-DAC-SS



2/RCM-10-E

FRACTION	DECIMAL
1/16	.0625
1/8	.1250
3/16	.1875
1/4	.2500
5/16	.3125
3/8	.3750
7/16	.4375
1/2	.5000
9/16	.5625
5/8	.6250
11/16	.6875
3/4	.7500
13/16	.8125
7/8	.8750
15/16	.9375

5,200 LB. and 6,000 LB. Axle Hydraulic Disc Brakes

12" disc offered in 6 on 5.5" bolt pattern with .5" studs for 5,200 lb and 6,000 lb axles with 6 hole bolt pattern. 8 on 6.5" with .5" studs for 6,000 lb axles with 8 hole bolt pattern.

PART #	SIZE	DESCRIPTION	BOLT PATTERN
2/HRCM-12-E	12"	Integral Hub, E-coat, Pair	6
2/HRCM-12-DAC	12"	Integral Hub, Dacromet, Pair	6
2/HRCM-12-DAC-SS	12"	Integral Hub, Stainless Calipers, Dacromet Rotors, & Mntg Brkts, Pair	6
2/RCM-12-E	12"	E-coat, Pair	6
2/RCM-12-DAC	12"	Dacromet, Pair	6
2/RCM-12-DAC-SS	12"	Stainless Calipers, Dacromet Rotors, & Mntg Brkts, Pair	6
2/RCM-12-SS	12"	Stainless Steel, Pair	6
2/HRCM133-78E	13"	Integral Hub, E-coat, .5" Studs, Pair	8
2/HRCM133-78DAC	13"	Integral Hub, Dacromet, .5" Studs, Pair	8
2/HRCM133-78DSS	13"	Integral Hub, Stainless Calipers, Dacromet Rotors, & Mntg Brkts, .5" Studs, Pair	8
2/RCM133-78E	13"	E-coat, .5" Studs, Pair	8
2/RCM133-78DAC	13"	Dacromet, .5" Studs, Pair	8
2/RCM133-78DSS	13"	Stainless Calipers, Dacromet Rotors, & Mntg Brkts, .5" Studs, Pair	8
2/RCM133-78SS	13"	Stainless Steel, .5" Studs, Pair	8
2/HRCM-12-DAC-KG	12"	Kodaguard, Pair	6
2/RCM-12-DAC-KG	12"	Integral Hub, Kodaguard, Pair	6

6 on 5.5" For use with 15" and larger wheels.

8 on 6.5" For use with 16" and larger wheels.



2/RCM-12-DAC



2/HRCM-12-E



2/RCM-12-SS

The First All Stainless Steel – Kodiak was the first to offer a complete all Stainless Steel Disc Brake Set in the industry!

Stainless Steel is the best available corrosion resistant materialideal for all saltwater applications.

FRACTION TO DECIMAL CONVERSION CHART

FRACTION	1/16	1/8	9/64	5/32	3/16	11/64	13/64	1/4	5/16	3/8	7/16	1/2	9/16	5/8	11/16	3/4	13/16	7/8	15/16
DECIMAL	.0625	.1250	.140625	.15625	.1875	.171875	.203125	.2500	.3125	.3750	.4375	.5000	.5625	.6250	.6875	.7500	.8125	.8750	.9375

7,000 LB. Axle Hydraulic Disc Brake Options
 13" disc offered in 8 on 6.5" bolt pattern with .5" studs or .5625" studs.
 Integral Hubs available with either grease or oil lube option.

PART #	SIZE	DESCRIPTION	STUD SIZE
2/HRCM133-78E	13"	Integral Hub, E-coat, Pair	.5"
2/HRCM133-78DAC	13"	Integral Hub, Dacromet, Pair	.5"
2/HRCM133-78DSS	13"	Integral Hub, Stainless Calipers, Dacromet Rotors, & Mntg Brkts, Pair	.5"
2/HRCM133-79E	13"	Integral Hub, E-coat, Pair	.5625"
2/HRCM133-79DAC	13"	Integral Hub, Dacromet, Pair	.5625"
2/HRCM133-79DSS	13"	Integral Hub, Stainless Calipers, Dacromet Rotors, & Mntg Brkts, Pair	.5625"
2/RCM133-78E	13"	E-coat, Pair	.5"
2/RCM133-78DAC	13"	Dacromet, Pair	.5"
2/RCM133-78DSS	13"	Stainless Calipers, Dacromet Rotors, & Mntg Brkts, Pair	.5"
2/RCM133-78SS	13"	Stainless Steel, Pair	.5"
2/RCM133-79E	13"	E-coat, Pair	.5625"
2/RCM133-79DAC	13"	Dacromet, Pair	.5625"
2/RCM133-79DSS	13"	Stainless Calipers, Dacromet Rotors, & Mntg Brkts, Pair	.5625"
2/RCM133-79SS	13"	Stainless Steel, Pair	.5625"

For use with 16" and larger wheels.
 All integral hubs with .5625 studs have 8K outer bearing.



2/RCM133-78DAC



2/HRCM133-79E



2/RCM133-78SS

The First All Stainless Steel – Kodiak was the first to offer a complete All Stainless Steel Disc Brake Set in the industry!

Stainless Steel is the best available corrosion resistant materialideal for all saltwater applications.

- AXLES & COMPONENTS
- SUSPENSIONS & COMPONENTS
- BRAKES & COMPONENTS**
- TIRES & WHEELS
- FENDERS & BODY
- JACKS & COUPLERS
- BRAKE CONTROL SYSTEMS
- TOWING & ACCESSORIES
- MARINE COMPONENTS
- HARDWARE & ACCESSORIES
- AGRICULTURAL COMPONENTS
- PAINT & LUBRICANTS
- LIGHTS & ELECTRICAL
- PACKAGED PRODUCTS

8,000 LB. Axle Hydraulic Disc Brake Options

13" disc offered in 8 on 6.5" bolt pattern with .5625" studs. Integral Hubs available with either grease or oil lube option. .625" stud and kits for other popular brands of axles are available on a special order basis.

PART #	SIZE	DESCRIPTION	STUD SIZE
2/HRCM133-8A9E	13"	Integral Hub, E-coat, Studs, Pair	.5625"
2/HRCM133-8A9DAC	13"	Integral Hub, Dacromet, Pair	.5625"
2/HRCM133-8A9DSS	13"	Integral Hub, Stainless Calipers, Dacromet Rotors, & Mntg Brkts, Pair	.5625"
2/RCM133-8A9E	13"	E-coat, Pair	.5625"
2/RCM133-8A9DAC	13"	Dacromet, Pair	.5625"
2/RCM133-8A9DSS	13"	Stainless Calipers, Dacromet Rotors, & Mntg Brkts, Pair	.5625"
2/RCM133-8A9SS	13"	Stainless Steel, Pair	.5625"

For use with 16" and larger wheels. Zero offset required.



2/HRCM133-8A9DAC



2/RCM133-8A9E

10,000 LB. Axle Hydraulic Disc Brake Options

11" & 13" disc offered in 8 on 6.5" bolt pattern with .625" studs. Hubs available with either grease or oil lube option. 13" torsion axle kits are single wheel application, 11" spring axle kits are single or dual wheel. Kits for other popular brands of axles are available on a special order basis.

PART #	DESCRIPTION	AXLE
2/RCMHS13-10QDAC	10K 4.75" Pilot	Torsion
2/RCMHS11-10QDAC	10K 4.88" Pilot	Tubular
2/RCMHS11-10YDAC	10K 4.75" Pilot	Tubular
2/RCMHS-11-10QHH	10K HD, 4.88 Pilot	Tubular #120 Spindle
2/RCMHS-11-10HYC	10K HD, 4.75 Pilot	Tubular #120 Spindle



2/RCMHS11-10QDAC

For use with 16" and larger dual wheels.

Torsion for use with 17.5" single wheel.

4.88 pilot is standard on dual wheel.

FRACTION TO DECIMAL CONVERSION CHART

FRACTION	1/16	1/8	9/64	5/32	3/16	11/64	13/64	1/4	5/16	3/8	7/16	1/2	9/16	5/8	11/16	3/4	13/16	7/8	15/16
DECIMAL	.0625	.1250	.140625	.15625	.1875	.171875	.203125	.2500	.3125	.3750	.4375	.5000	.5625	.6250	.6875	.7500	.8125	.8750	.9375

AXLES & COMPONENTS

SUSPENSIONS & COMPONENTS

BRAKES & COMPONENTS

TIRES & WHEELS

FENDERS & BODY

JACKS & COUPLERS

BRAKE CONTROL SYSTEMS

TOWING & ACCESSORIES

MARINE COMPONENTS

HARDWARE & ACCESSORIES

AGRICULTURAL COMPONENTS

PAINT & LUBRICANTS

LIGHTS & ELECTRICAL

PACKAGED PRODUCTS

12,000 LB. Axle Hydraulic Disc Brake Options
 11" & 13" disc offered in 8 on 6.5" bolt pattern with .625" studs.
 Hubs available with oil lube. 13" brake kits are 17.5" single wheel application, 11" brake kits are single or dual wheel.

PART #	DESCRIPTION	DISC SIZE
2/RCMS-11-12Q	12K	11"
2/RCMS-13-12Q	12K	13"

For use with 16" wheels.



2/RCMSS-13-12Q

12K Disc Brake



2/RCMSS-11-12Q

NEW KODIAK RUBBER BRAKE HOSE -

Kodiak offers a complete line of rubber brake hoses that offer superior corrosion resistance in extreme environments. All Kodiak brake hoses feature stainless steel flares, brass flare nuts, and brass fittings. Kodiak fittings have 40% more thread engagement than industry standard fittings for stronger, more leak proof connections.

Contact your local branch for configurations and availability.



Brake Hose

Brake Hose 1/8" ID DOT, 3/16" MFFN With Dead Swivel (Both Ends)

PART #	DESCRIPTION
BH-3MFS-1	1'
BH-3MFS-1.5	1.5'
BH-3MFS-18	18'
BH-3MFS-2	2'
BH-3MFS-22	22'
BH-3MFS-24	24'
BH-3MFS-3.5	3.5'
BH-3MFS-4.5	4.5'
BH-3MFS-6	6'
BH-3MFS-7	7'
BH-3MFS90-1.5	1.5' 90 Dead Swivel
BH-3MFS90FF-1.5	1.5' 90 Dead Swivel 3/16" FIF w/Clip

Fittings - Forged Brass

PART #	DESCRIPTION
BH-C-3FIF	Coupling -1/8" ID- 3/16" FIF (Both)
BH-L-3FIF	"L" -1/8" ID-3/16" FIF, (Both)
BH-T-3FIF	"T" -1/8" ID, 3/16" FIF (All)
BH-X-3FIF	"Cross" -1/8" ID - 3/16" FIF (all)

BRAKE CLEANER

PART #	DESCRIPTION
50276MB	Brake Parts Cleaner, 18oz
50283MB	Brake Parts Cleaner, Low Voc NC, 14 oz, Spray



50276MB

50283MB